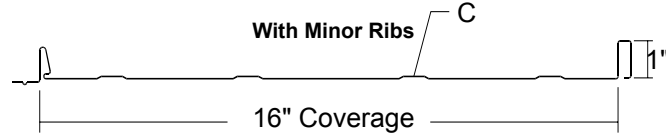
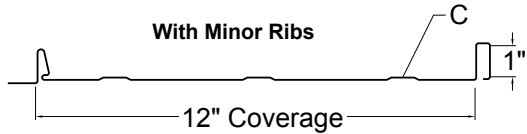
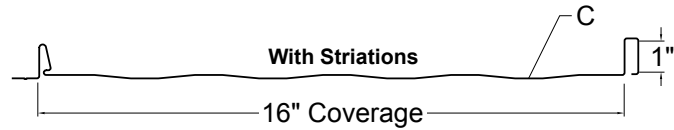
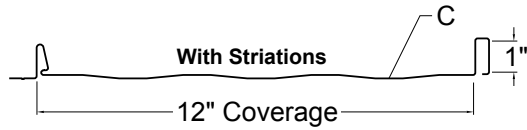


IMAGE II TABLE OF CONTENTS

Product	Page No.	Product	Page No.
Panel Information		Detail Conditions	
Image II Panel Profiles	PIM-2	Eave Detail	PIM-10
Panel Overview	PIM-2	Eave with Offset Detail	PIM-10
Flashing Profiles		5K Gutter Detail	PIM-11
Eave	PIM-3	5K Gutter with Offset Detail	PIM-11
Extended Eave	PIM-3	Slope Change Detail	PIM-12
Cleat	PIM-3	Valley Detail	PIM-12
Offset Cleat	PIM-3	Valley with Offset Cleat Detail	PIM-13
5K Gutter	PIM-3	Step Rake Detail	PIM-13
5K Gutter Endcap	PIM-3	Rake with Z-Closure Detail	PIM-14
3" Downspout	PIM-3	Rakewall with Z-Closure (Counter) Detail	PIM-14
3" Downspout Elbow	PIM-3	Rakewall with Z-Closure (Reglet) Detail	PIM-15
12" Downspout Bracket	PIM-3	Step Rakewall (Counter) Detail	PIM-15
12" Coil	PIM-3	Step Rakewall (Reglet) Detail	PIM-16
Valley	PIM-3	Endwall with Z-Closure (Counter) Detail	PIM-16
Image II Rake	PIM-3	Endwall with Z-Closure (Reglet) Detail	PIM-17
Image II Step Rake	PIM-3	Endwall with Foam Closure (Counter) Detail	PIM-17
Rakewall	PIM-3	Endwall with Foam Closure (Reglet) Detail	PIM-18
Image II Step Rakewall	PIM-3	Peak with Z-Closure Detail	PIM-18
Counter Flashing	PIM-4	Peak with Foam Closure Detail	PIM-19
Reglet Flashing	PIM-4	Ridge/Hip Cover Detail	PIM-19
Step Ridge/Hip Cover	PIM-4	Vented Ridge (Cobra Vent) Detail	PIM-20
13" Ridge/Hip Cover	PIM-4	Vented Ridge (Perforated Vent Drip) Detail	PIM-20
Perforated Vent Drip	PIM-4		
Peak	PIM-4		
Pitch Break	PIM-4		
1.5" Sill/Head	PIM-4		
1.5" Sill to Soffit	PIM-4		
1" Z-Closure	PIM-4		
Accessory Profiles			
Cobra Vented Closure	PIM-5		
Outlet Tube 2" x 3"	PIM-5		
Fascia Bracket	PIM-5		
Tube Sealant	PIM-5		
Tape Sealant	PIM-5		
Image II Outside Closure	PIM-5		
Rubber Roof Jack	PIM-5		
Touch-Up Paint	PIM-5		
Metal Panel Hemming Tool	PIM-5		
Testing Information			
UL 263 Fire Resistance Ratings	PIM-6		
Section Properties and General Information	PIM-7		
Design/Installation Considerations			
Fastener Installation Technique	PIM-8		
Condition of Substructure	PIM-8		
Ventilation	PIM-9		
Panel Applications	PIM-9		

IMAGE II PANEL OVERVIEW

PANEL PROFILES



SLOPE

The minimum recommended slope for Image II roof panel is 3:12.

SUBSTRATE

The recommended substrate is $\frac{5}{8}$ " plywood with a 30 pound felt moisture barrier. To avoid panel distortion, use a properly aligned and uniform substructure. **Please note that Image II panels are not recommended for use over open framing.**

COVERAGE

Image II panels are available in a 12" and 16" widths with a 1" rib height.

LENGTH

Minimum panel length is 5'-0". Maximum recommended panel length is 30'-0". Longer panels require additional consideration in packaging, shipping, and erection. Please consult your Metal Sales branch for recommendations (see PGI-2 and PGI-3 for locations).

AVAILABILITY

Image II panels are available in 26 and 24 gauge.

APPLICATIONS

Residential, Commercial and Architectural Panel

PERFORMANCE TEST

UL 2218, UL 790, UL 263, UL 580, Florida Approval, Miami-Dade County, Texas Department of Insurance and ICC Evaluation Report

FASTENERS

The fastener selection guide should be consulted for choosing proper fasteners for specific applications. Quantity and type of fastener must meet necessary loading and code requirements (see PGI-12 through PGI-13).

MATERIALS

26 and 24 gauge steel: Grade 50 per ASTM A 792

FINISH

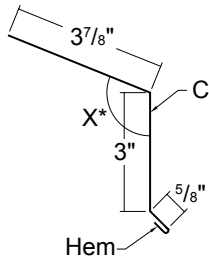
- ▶ *Acrylic Coated Galvalume® (ACG), AZ55 per ASTM A 792
- ▶ Prepainted Galvalume® (ACG), AZ50 per ASTM A 792
- ▶ MS Colorfast45®
- ▶ **PVDF

* Differential appearance of Acrylic Coated Galvalume® roofing materials is not a cause for rejection.

** Meets both Kynar 500® and Hylar 5000® specifications.

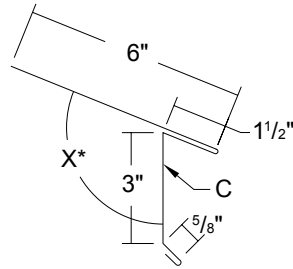
IMAGE II FLASHING PROFILES

EAVE



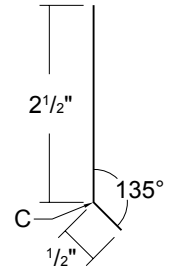
Length 10'-2" - *Specify Slope Angle

EXTENDED EAVE



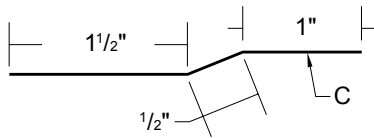
Length 10'-2" - *Specify Slope Angle

CLEAT



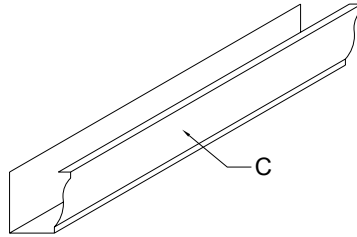
Length 10'-2"

OFFSET CLEAT



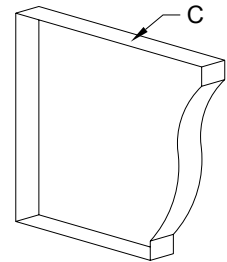
Length 10'-2"

5K GUTTER

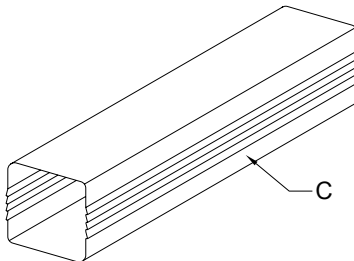


Length 20'-6"

5K GUTTER ENDCAP

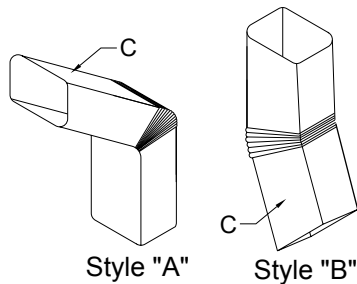


3" DOWNSPOUT



29 Gauge - Length 10'-3"

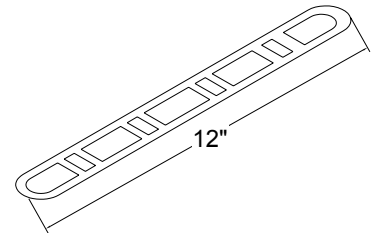
3" DOWNSPOUT ELBOW



Style "A"

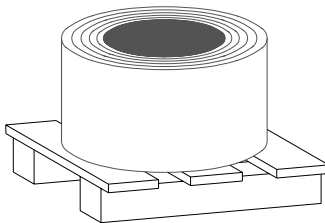
Style "B"

12" DOWNSPOUT BRACKET



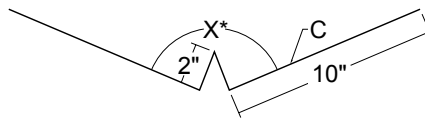
12" COIL

(For Continuous Gutters)



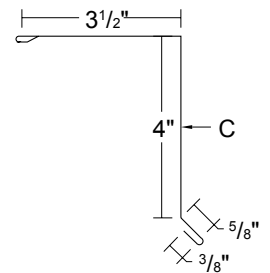
16" Inside Diameter
Length 150'-0"

VALLEY



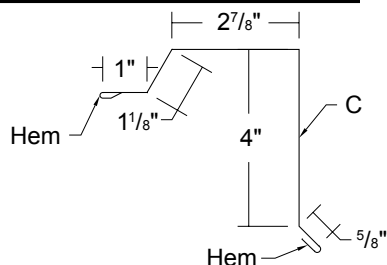
Lengths 10'-2" and 20'-3"
*Specify Slope Angle

IMAGE II RAKE



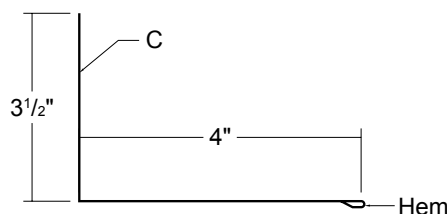
Lengths 10'-2" and 20'-3"

IMAGE II STEP RAKE



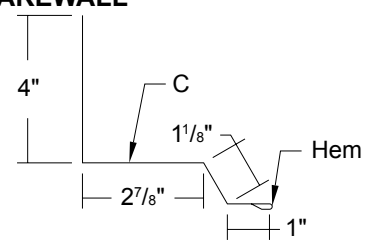
Lengths 10'-2" and 20'-3"

RAKEWALL



Length 10'-2"

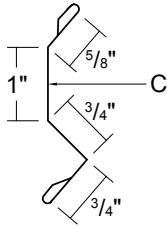
IMAGE II STEP RAKEWALL



Length 10'-2"

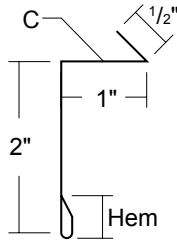
IMAGE II FLASHING PROFILES (CONT.)

COUNTER FLASHING



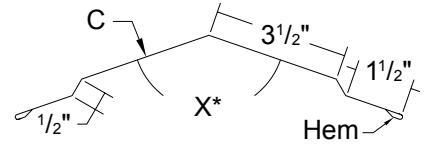
Length 10'-2"

REGLET FLASHING



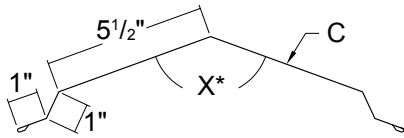
Length 10'-2"

10" STEP RIDGE/HIP COVER



Length 10'-2" - *Specify Slope Angle

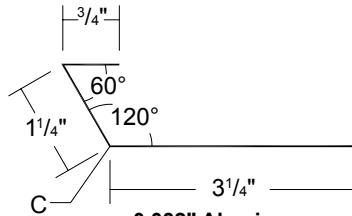
13" STEP RIDGE/HIP COVER



Lengths 10'-2" and 20'-3"
*Specify Slope Angle

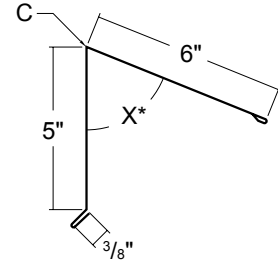
PERFORATED

VENT DRIP



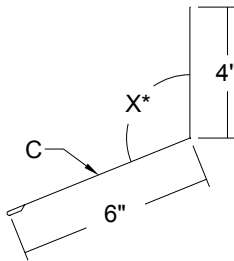
0.032" Aluminum
Linen White Only
Length 10'-2"

PEAK



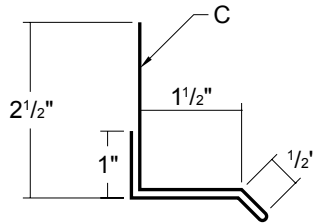
Lengths 10'-2" and 20'-3"
*Specify Slope Angle

PITCH BREAK



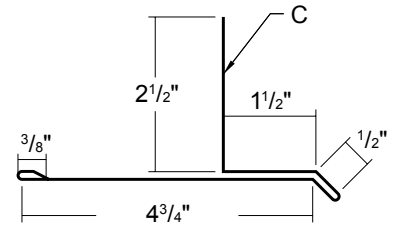
Length 10'-2" - *Specify Slope Angle

1.5" SILL/HEAD



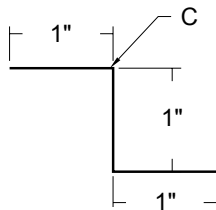
Length 10'-2"

1.5" SILL TO SOFFIT



Length 10'-2"

1" Z-CLOSURE

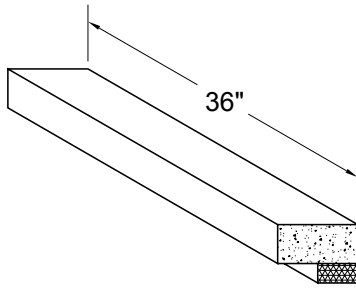


Length 10'-2"

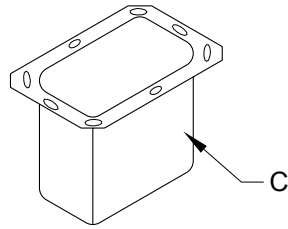
C- Indicates color side of flashing.

IMAGE II ACCESSORY PROFILES

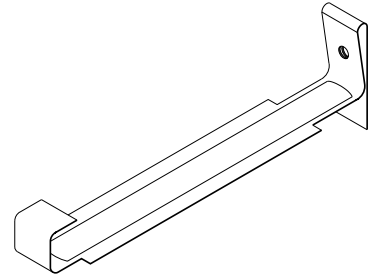
COBRA VENTED CLOSURE



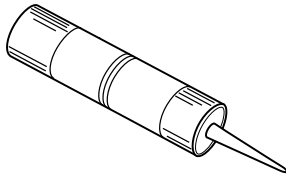
OUTLET TUBE 2" x 3"



FACIA BRACKET

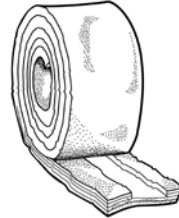


TUBE SEALANT



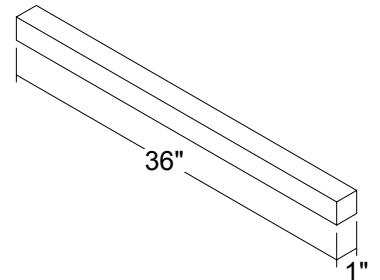
10.3 oz. Cartridge Urethane

TAPE SEALANT

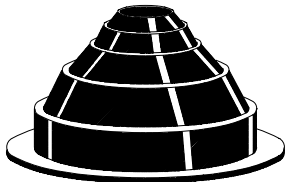


$\frac{7}{8}$ " X $\frac{3}{16}$ " X 25'
Double Bead Tape Sealant
Butyl - Gray

IMAGE II OUTSIDE CLOSURE

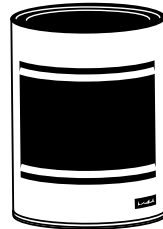


RUBBER ROOF JACK



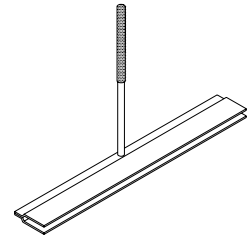
Mini ($\frac{1}{4}$ " to $\frac{1}{8}$ " O.D. Pipe)
#2 ($\frac{1}{4}$ " to 3" O.D. Pipe)
#4 (3" to 6" O.D. Pipe)
#6 (6" to 9" O.D. Pipe)
#8 (7" to 13" O.D. Pipe)

TOUCH-UP PAINT



Available in 2 oz Bottles
PVDF / MS Colorfast45®

METAL PANEL HEMMING TOOL



Metal Roof Deck Panels

Metal Sales Manufacturing Corporation has obtained fire resistance ratings for various products conducted according to test criteria set forth by 'Underwriters Laboratories' "Standard Fire Tests of Building Construction and Material" (ANSI/UL 263). This test procedure is identical to ASTM E-119 and NFPA 251.

The fire resistance rating is for the total assembly and not just the external metal panel. Ratings are expressed in hours and vary depending upon the assemblies.

In general, the test criteria is to evaluate the assembly's ability to continue to support the super-imposed loads and resist the passage of flame, high temperatures, or hot gases which will ignite combustible materials. The test assemblies are identified by an alpha-numeric design number.

For detail information on specific assemblies and hourly ratings see UL Fire Resistance Directory.

METAL SALES MFG CORP

R9697

Mechanically attached metal roof panels - Type "Image II"

For use in Design Nos. P224 , P225 , P227 , P230 , P237 , P508 , P510 , P512 , P701 , P711 , P712 , P713 , P715 , P717 , P720 , P722 , P723 , P724 , P726 , P731 , P734 , P736 , P803 , P814 , P815 , P818 , P819 , P821 , P823 , P824 .

*Hat shaped member to be a minimum of 16 gauge. The member will be fastened through the roof insulation to the steel roof deck with min. No. 14 self-drilling and/or self-tapping fasteners. Spacing to be determined by the structural loading requirements. In addition any compressible UL Classified glass fiber blanket insulation with or without a vapor retarder facing may be used between the specified roof insulation and the metal roof panels.

**Bearing plate to be a minimum of 16 gauge. Member will be fastened through the roof insulation to the steel deck with min. No. 14 self-drilling and/or self-tapping fasteners.

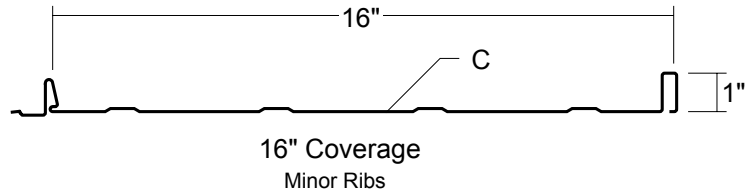
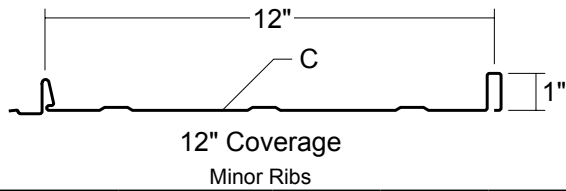
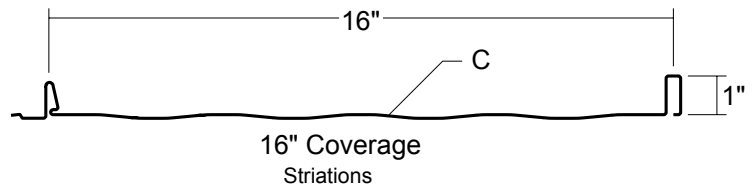
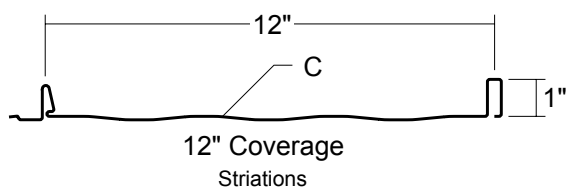
See the UL Fire Resistance Directory for explanation of each design number listed above.



Underwriters Laboratories Inc. ®

LISTED

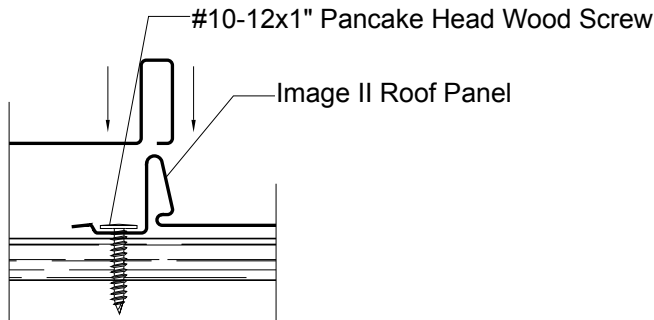
IMAGE II SECTION PROPERTIES AND GENERAL INFORMATION



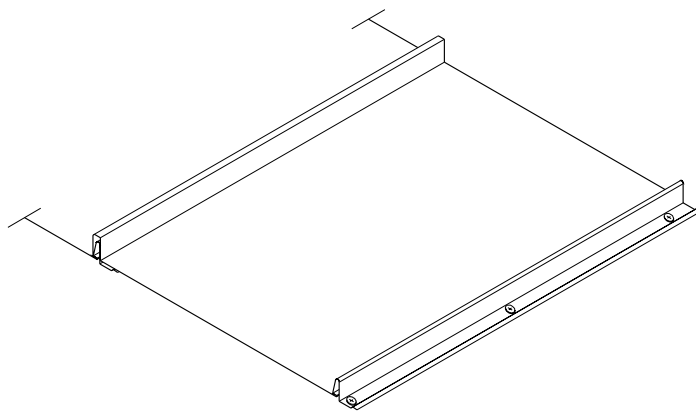
SECTION PROPERTIES								ALLOWABLE UNIFORM LOADS psf (3 or More Equal Spans)			
Ga	Width in	Yield ksi	Weight psf	Top In Compression		Bottom In Compression		Outward Load			
				Ixx in ⁴ /ft	Sxx in ³ /ft	Ixx in ⁴ /ft	Sxx in ³ /ft	0'-6"	1'-0"	1'-6"	2'-0"
26	16	80	0.92	0.0162	0.0174	0.0165	0.0177	86	71	56	42
24	16	50	1.19	0.0210	0.0226	0.0210	0.0225	86	71	56	42

- Theoretical section properties have been calculated per AISI 2012 "Specifications for the Design of Cold-formed Steel Structural Members." Ixx and Sxx are effective section properties for deflection and bending.
- Allowable load is calculated in accordance with AISI 2012 specifications considering bending, shear, combined bending and shear, and UL580 testing over 1/2" plywood. Allowable load considers the 3 or more equal span condition. Allowable load does not address web crippling, fasteners/support connection. Panel weight is not considered.
- Deflection consideration is limited by a maximum deflection ratio of L/180 of span.
- Allowable loads do not include a 1/3 stress increase in uplift.

ATTACHMENT DETAIL



FASTENING PATTERN



GENERAL INFORMATION

► Slope

The minimum recommended slope for the Image II roof panel is 3:12.

► Substructure

Image II is designed to be utilized over a solid substrate. To avoid panel distortion use a properly aligned and uniform substructure.

NOTE: Image II roof panels are not recommended for use over open structural framing.

► Coverage

Image II panels are available in a 1" seam height with a 12" or 16" width coverage.

► Length

Minimum factory cut length is 5'-0". Maximum recommended panel length is 30'-0". Longer panels require additional consideration in packaging, shipping and erection. Please consult Metal Sales for recommendations.

► Fasteners

The fastener selection guide should be consulted for choosing the proper fastener for specific applications. Quantity and type of fastener must meet necessary loading and code requirements.

NOTE: All panels are subject to surface distortion due to improperly applied fasteners. Overdriven fasteners will cause stress and induce oil canning across the face of the panel at or near the point of attachment.

► Availability

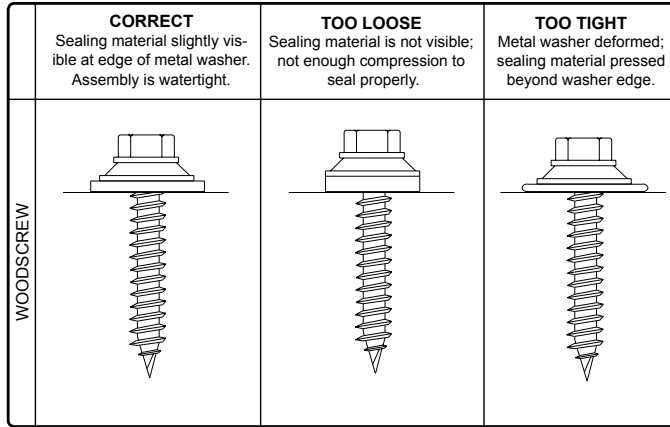
Finishes: Acrylic Coated Galvalume®, MS Colorfast45® and PVDF (Kynar 500®)

Gauge: 26 ga standard; 24 ga optional

FASTENER INSTALLATION TECHNIQUE

Recommended Tool Type - Use depth locating nose or adjustable clutch on screw gun to prevent overdrilling and strip out. **Do not use impact tools or runners.**

Seating the washer - Apply sufficient torque to seat the washer - do not overdrive the fastener.



To prevent wobbling - Make sure fastener head is completely engaged in the socket. If the head does not go all the way in the socket - tap the magnet deeper into the socket to allow full head engagement. Metal chips will build up from drilling and should be removed from time to time.

Protect drill point - Push only hard enough on the screw gun to engage clutch. This prevents excess friction and burn out of the drill point. Correct pressure will allow screw to drill and tap without binding.

Drilling through sheet and insulation - Ease up on pressure when drilling through insulation to avoid striking the purlin or girt with the point - apply more pressure after drill point contacts purlin or girt.

Drilling through purlin overlaps - Drilling through lapped purlins requires extra care. Excessive voids between purlins sometimes damages drill points and two self-drillers might be necessary to complete the operation. It is sometimes advantageous to predrill.

CONDITION OF SUBSTRUCTURE

Whether over solid substrate or open structural framing, panel distortion may occur if not applied over properly aligned and uniform substructure.

The installer should check the roof deck for squareness before installing Image II panels. Several methods can be used to verify squareness of the structure for proper installation of the panels.

METHOD "A" - One method for checking the roof for squareness is to measure diagonally across one slope of the roof from similar points at the ridge and eave and obtain the same dimension.

METHOD "B" - The 3-4-5 triangle system may also be used. To use this system measure a point from the corner along the edge of the roof at a module of three (3). Measure a point from the same corner along another edge at a module of four (4). Then by measuring diagonally between the two points established, the dimension should be exactly a module of five (5) to have a square corner. Multiple uses of this system may be required to determine building squareness. If the endwall cannot be made square, the roof system cannot be installed as shown in these instructions.

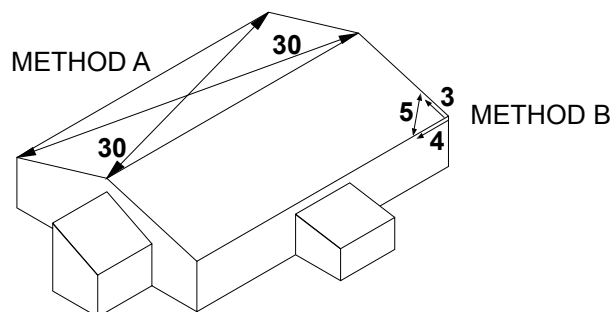


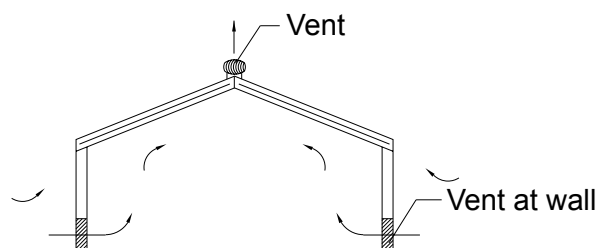
IMAGE II DESIGN / INSTALLATION CONSIDERATIONS (CONT)

VENTILATION

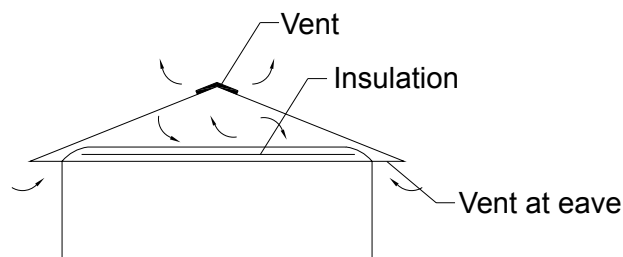
Proper design and installation of vapor barriers and ventilation systems are important to prevent condensation and the resulting problems of moisture damage and loss of insulation efficiency.

Condensation occurs when moisture laden air comes in contact with a surface temperature equal to or below the dew point of the air. This phenomenon creates problems that are not unique with metal roofing; these problems are common to all types of construction.

The underside of the metal roof on a typical Architectural building should be protected from condensation by installing panels directly over a minimum 30 lb moisture barrier and uniform solid substrate. This reduces airspace and the potential of condensation forming on the underside of the panels.



Typical metal building (no attic)



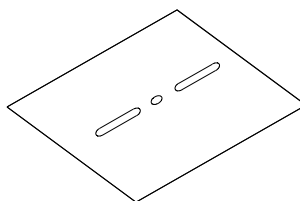
Building with attic or retrofitted

PANEL APPLICATIONS

The following chart highlights UL 580 Class 90 for clip installation on the selected applications (see Fastener Selection Guide page PGI-12 through PGI-14 for other fasteners available). For more information on UL Construction numbers, refer to UL Roofing Materials and System Directories. Panel gauges and clip spacing should be determined by a professional engineer according to the governing building code.

PANEL TYPE	APPLICATION	INSTALLATION REQUIREMENTS		FASTENER SPACING	*TYPE OF FASTENER	NUMBER REQUIRED
IMAGE II	OVER 5/8" WOOD DECK AND METAL DECK	Standard	26 gauge	18" o.c.	CALL YOUR METAL SALES BRANCH FOR ADDITIONAL INFORMATION	

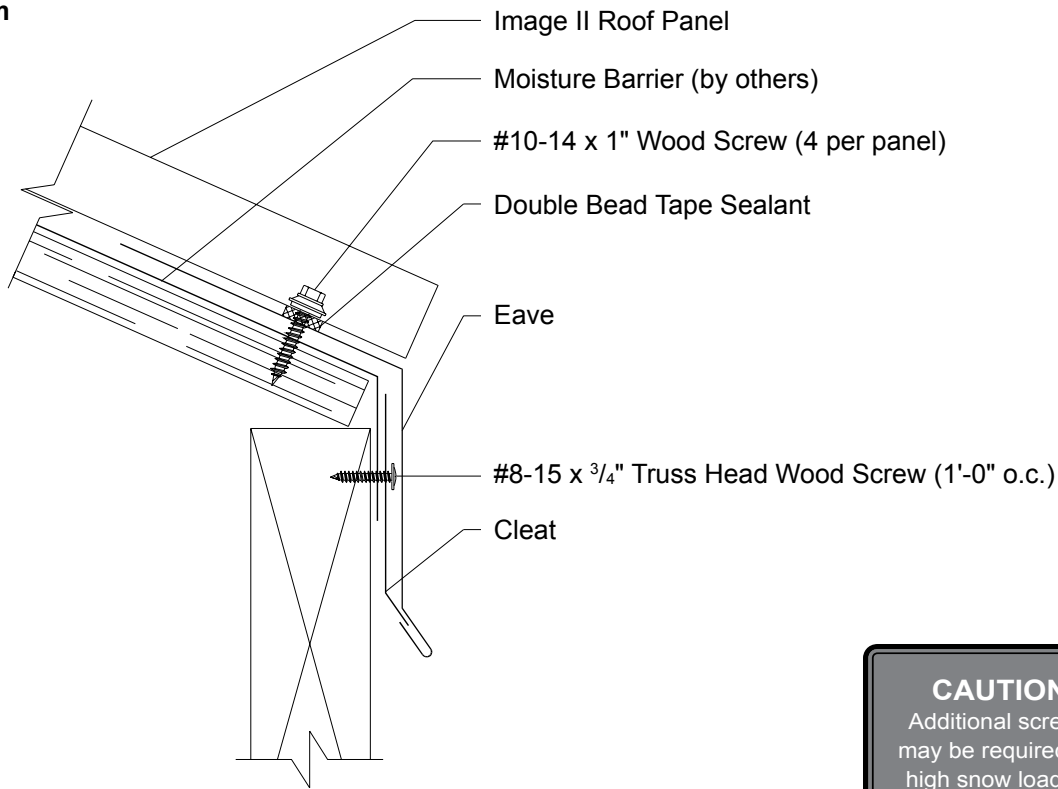
* Subject to project loading, closer fastener spacing may be required. Contact your local Metal Sales branch representative for more information (see pages PGI-2 and PGI-3). Fastener spacing is based on maximum uplift suction load of 32 psf.



BEARING PLATE

IMAGE II EAVE DETAIL

3:12 Minimum
Roof Slope

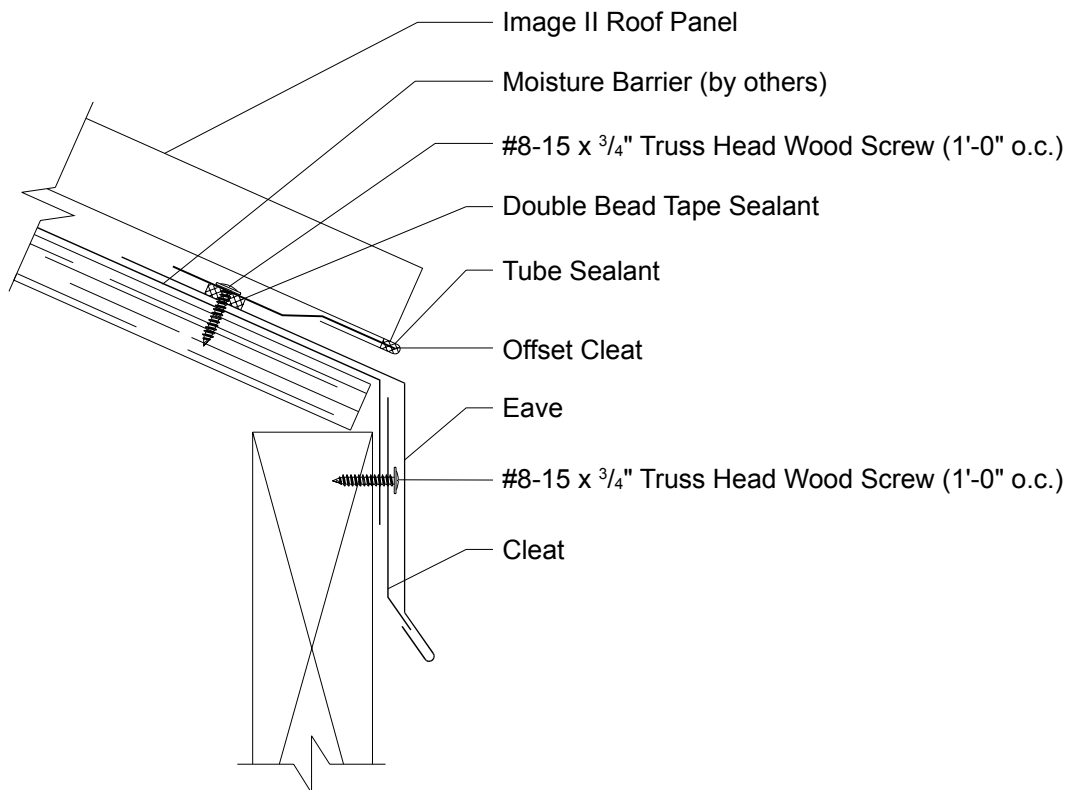


CAUTION

Additional screws
may be required for
high snow loading
and steep slopes.

IMAGE II EAVE WITH OFFSET DETAIL

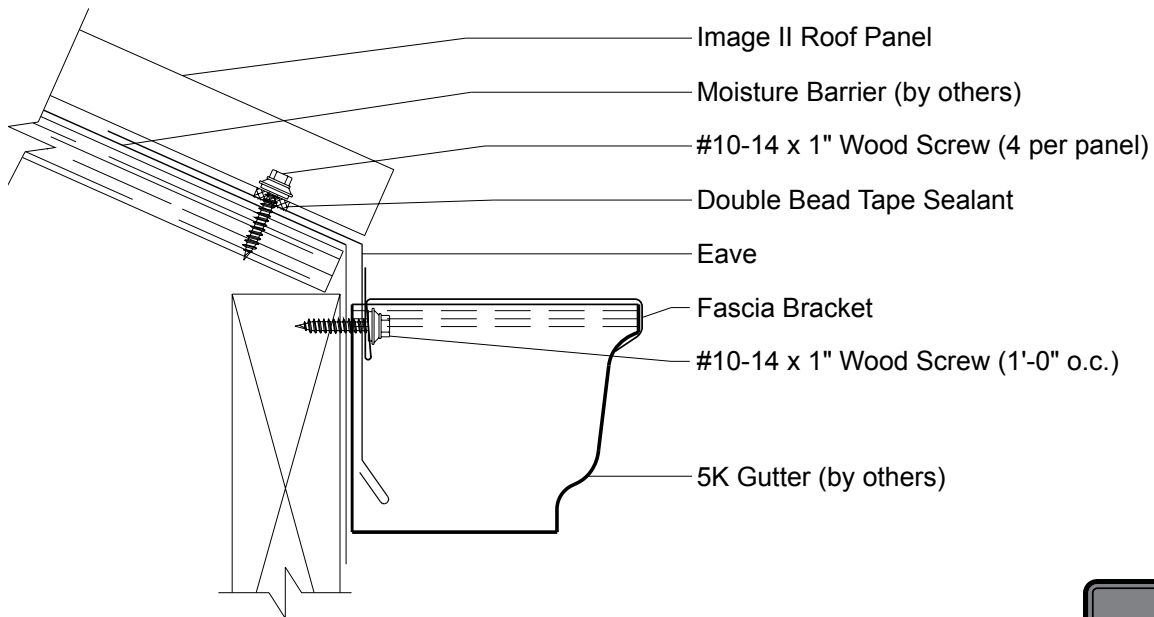
3:12 Minimum
Roof Slope



Panel rib must be field-notched and flat part of panel must be field-bent to accept Offset Cleat (see Architectural Manual).

IMAGE II 5K GUTTER DETAIL

3:12 Minimum
Roof Slope

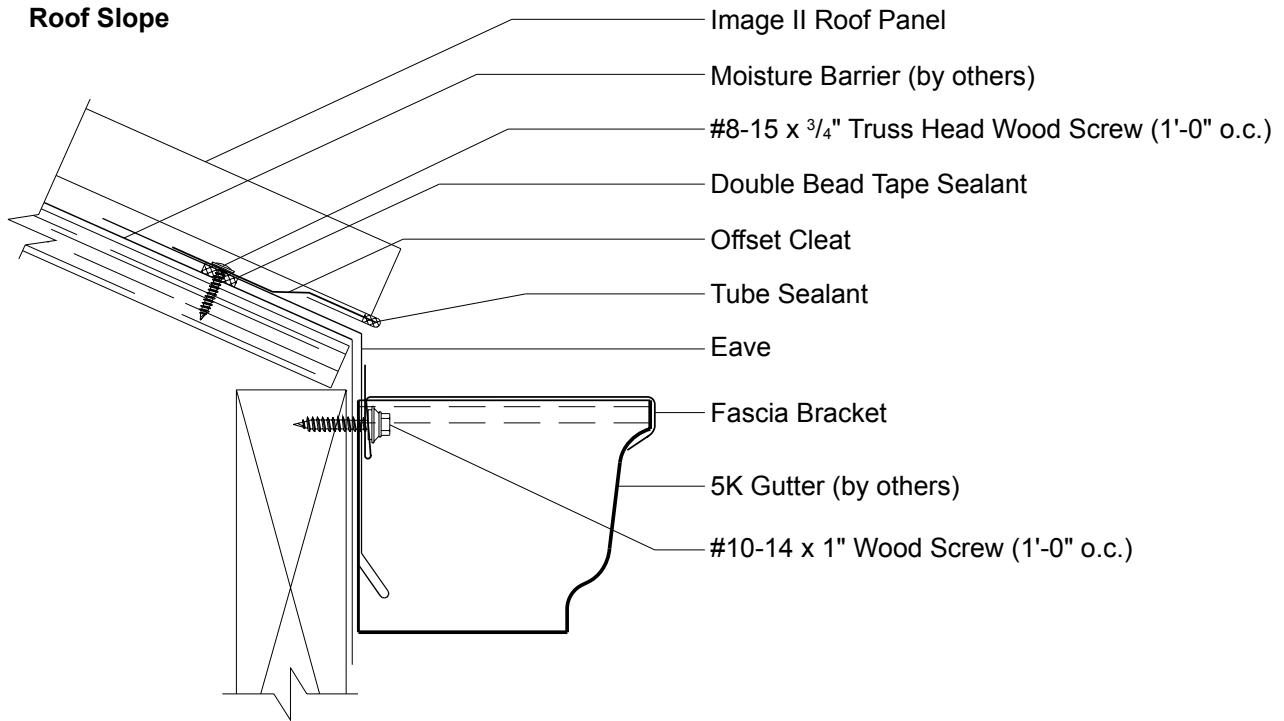


CAUTION

Additional screws
may be required for
high snow loading
and steep slopes.

IMAGE II 5K GUTTER WITH OFFSET DETAIL

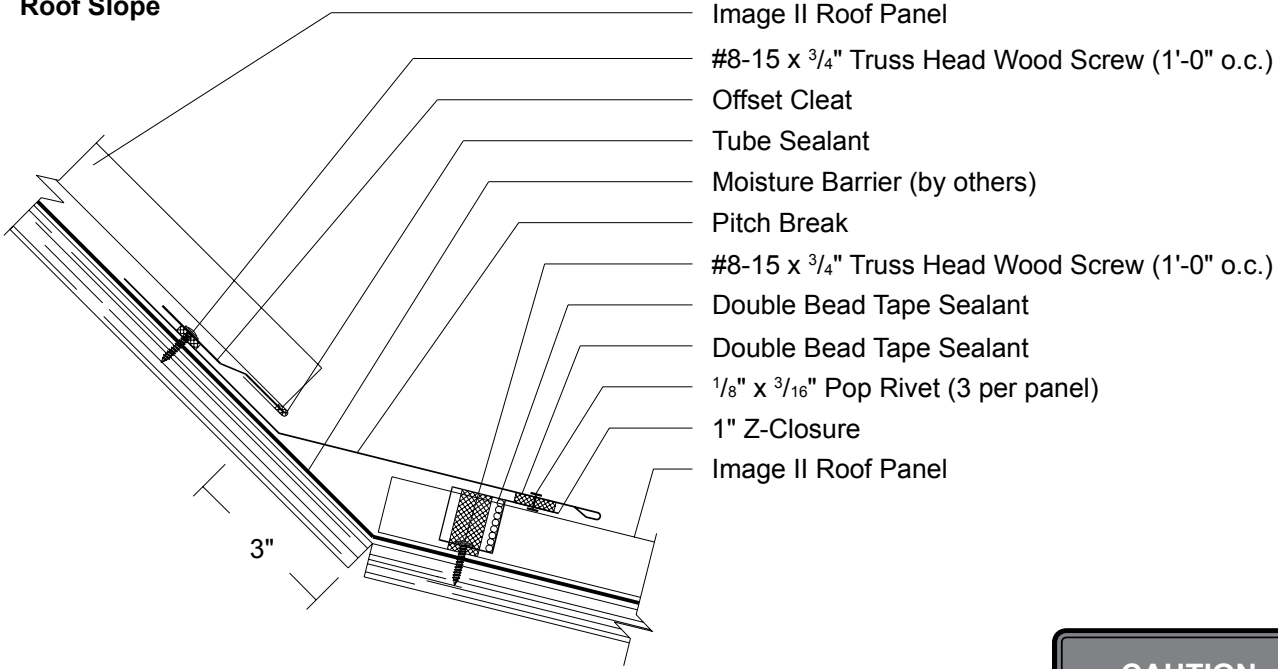
3:12 Minimum
Roof Slope



Panel rib must be field-notched and flat part of panel must be field-bent to accept Offset Cleat (see Architectural Manual).

IMAGE II SLOPE CHANGE DETAIL

3:12 Minimum
Roof Slope



Note: 1" Z-Closures must be field-cut and bent to fit between panel ribs (see Architectural Manual).

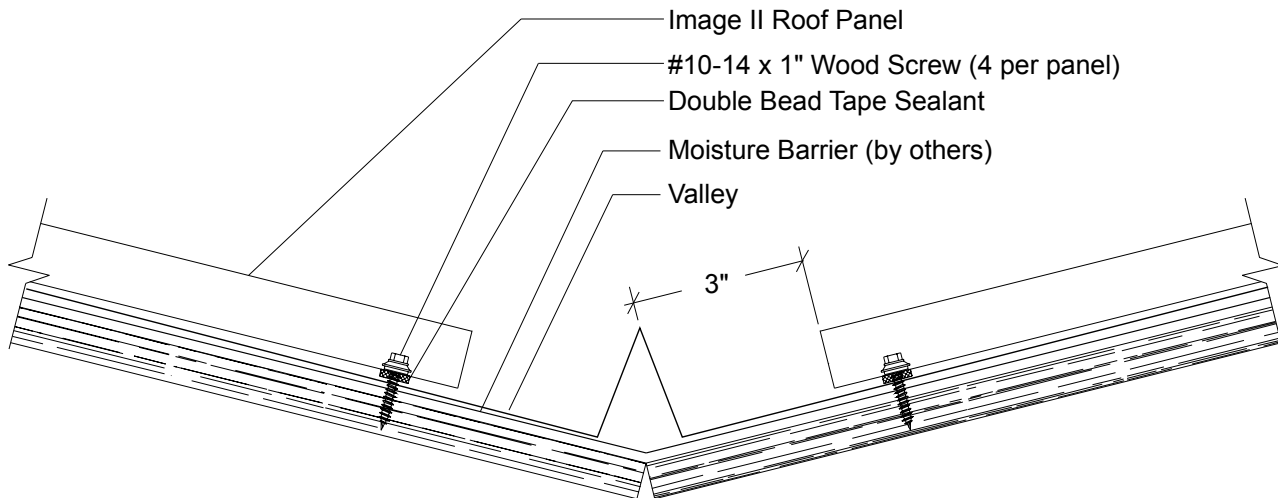
Panel rib must be field-notched and flat part of panel must be field-bent to accept Offset Cleat (see Architectural Manual).

CAUTION

Additional screws may be required for high snow loading and steep slopes.

IMAGE II VALLEY DETAIL

3:12 Minimum
Roof Slope

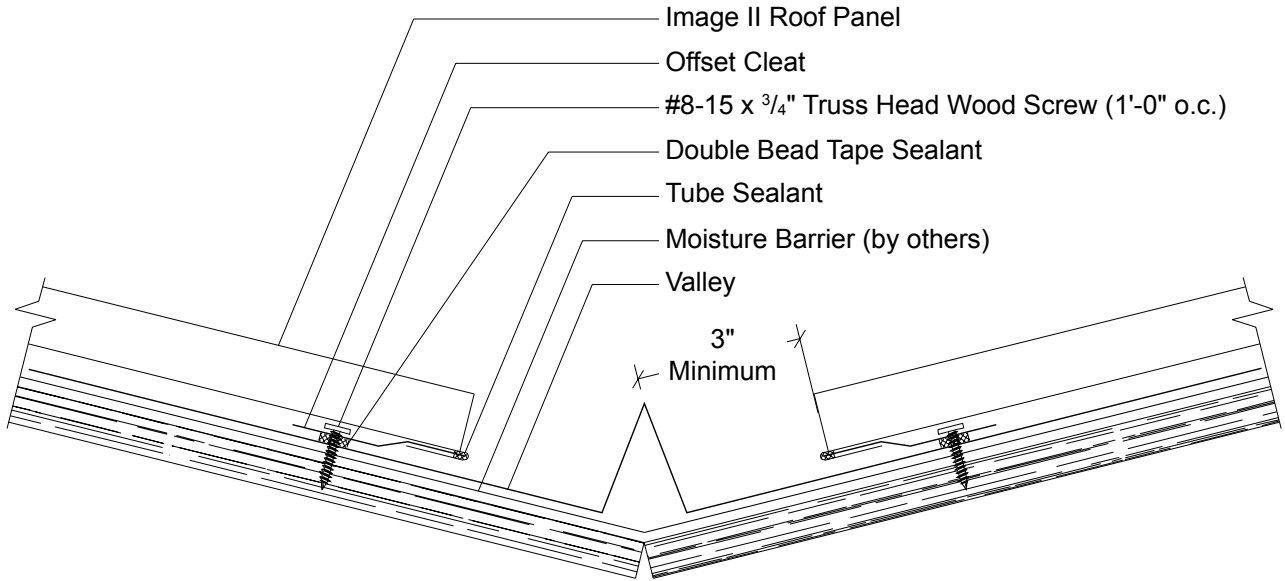


CAUTION

Additional screws may be required for high snow loading and steep slopes.

IMAGE II VALLEY WITH OFFSET CLEAT DETAIL

3:12 Minimum
Roof Slope



Panel rib must be field-notched and flat part of panel must be field-bent to accept Offset Cleat (see Architectural Manual).

IMAGE II STEP RAKE DETAIL

3:12 Minimum
Roof Slope

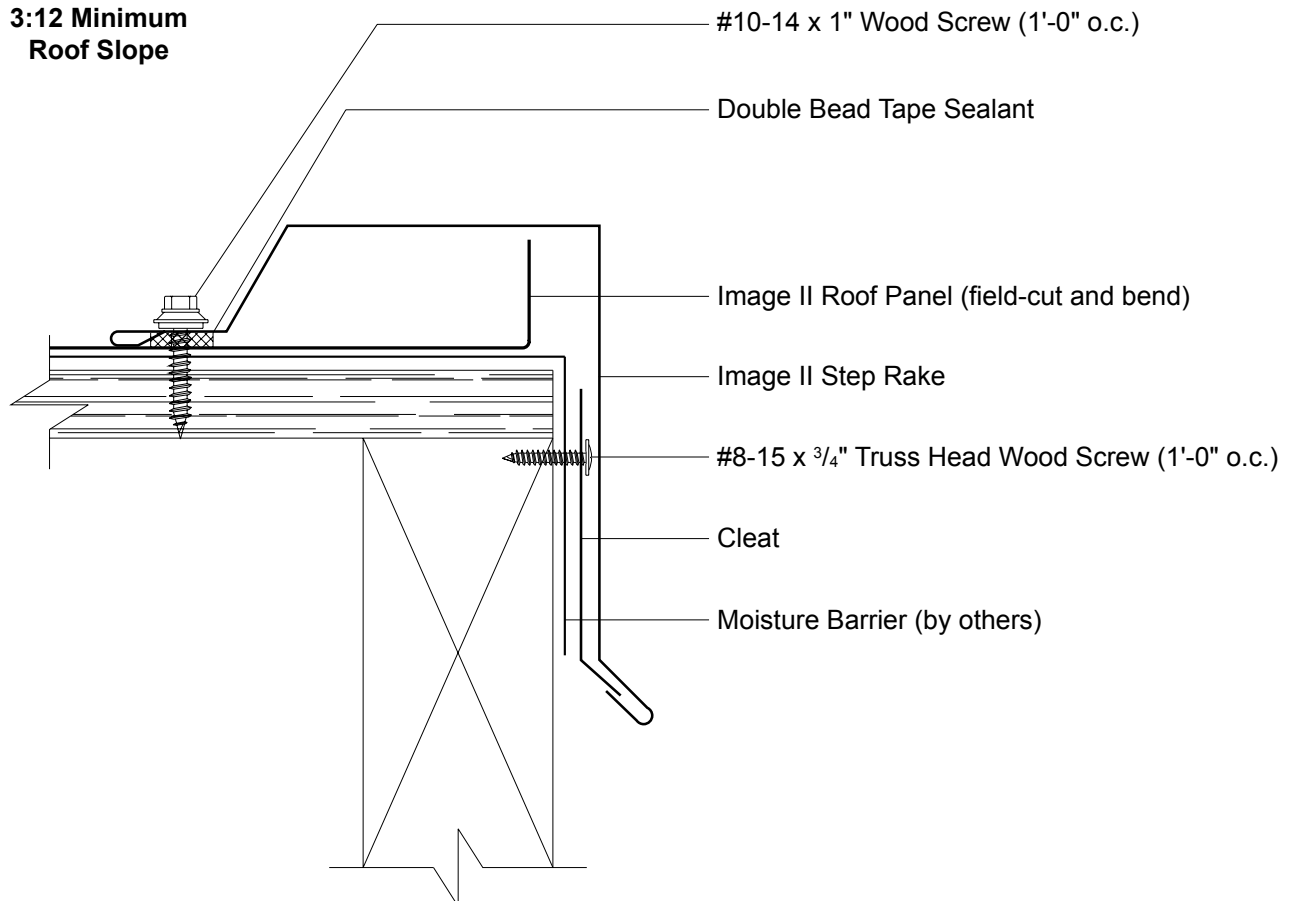


IMAGE II RAKE WITH Z-CLOSURE DETAIL

3:12 Minimum
Roof Slope

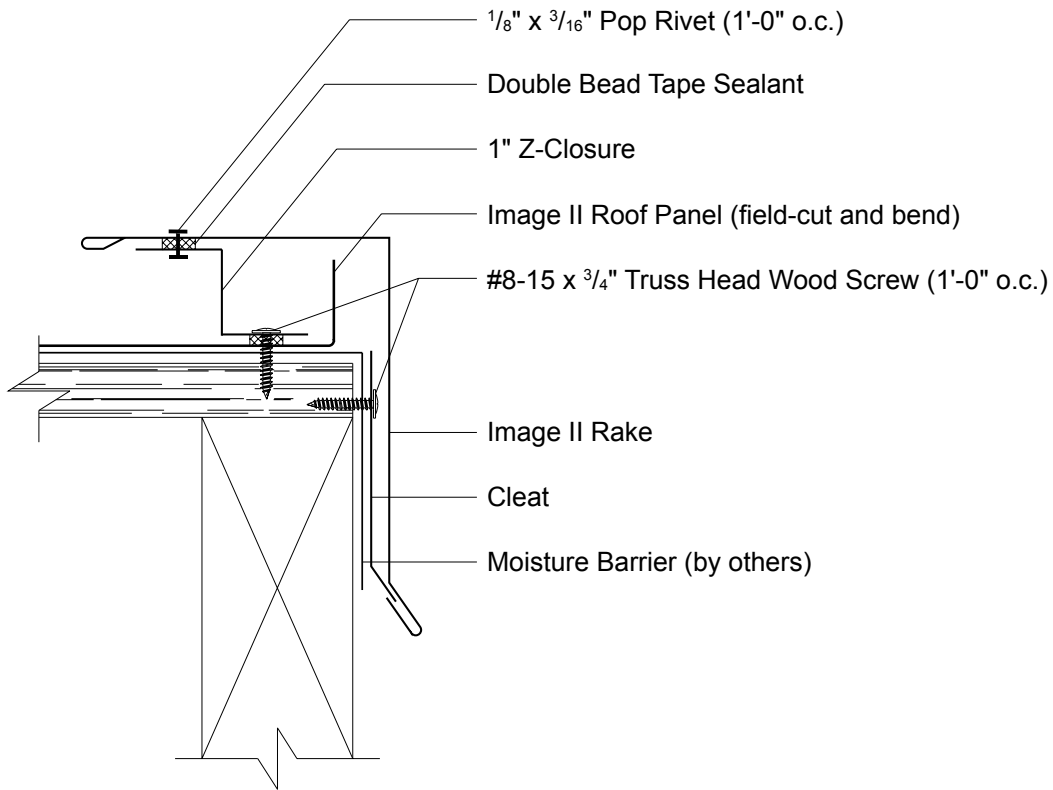


IMAGE II RAKEWALL WITH Z-CLOSURE (COUNTER) DETAIL

3:12 Minimum
Roof Slope

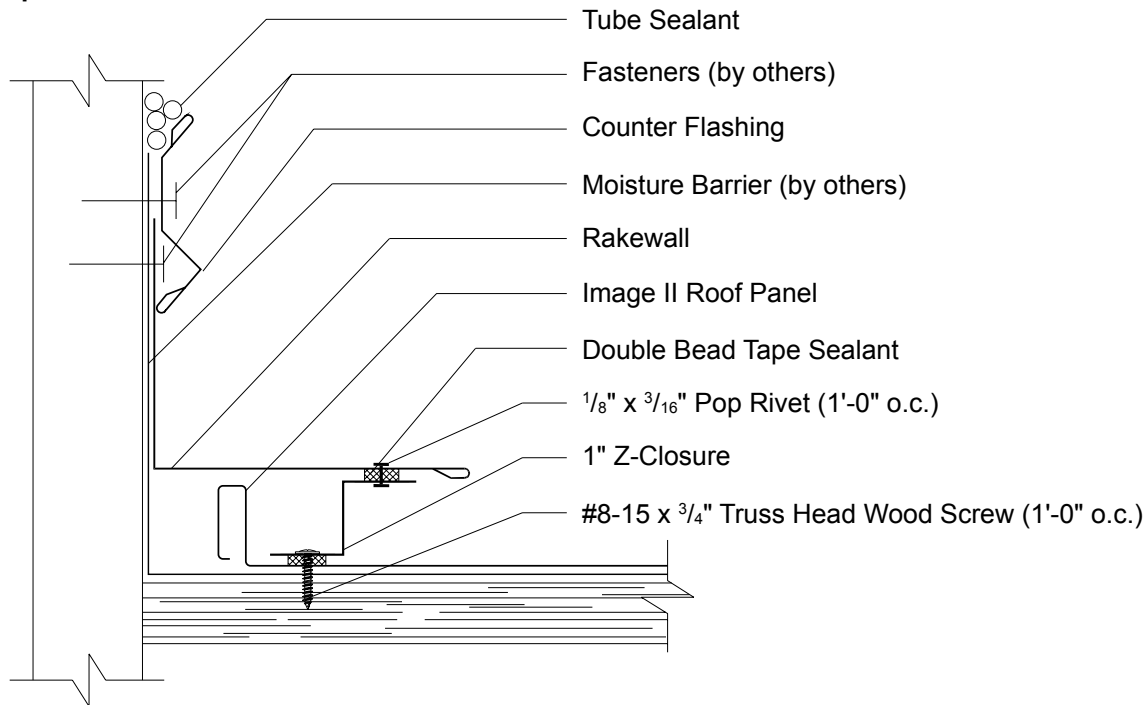


IMAGE II RAKEWALL WITH Z-CLOSURE (REGLET) DETAIL

3:12 Minimum
Roof Slope

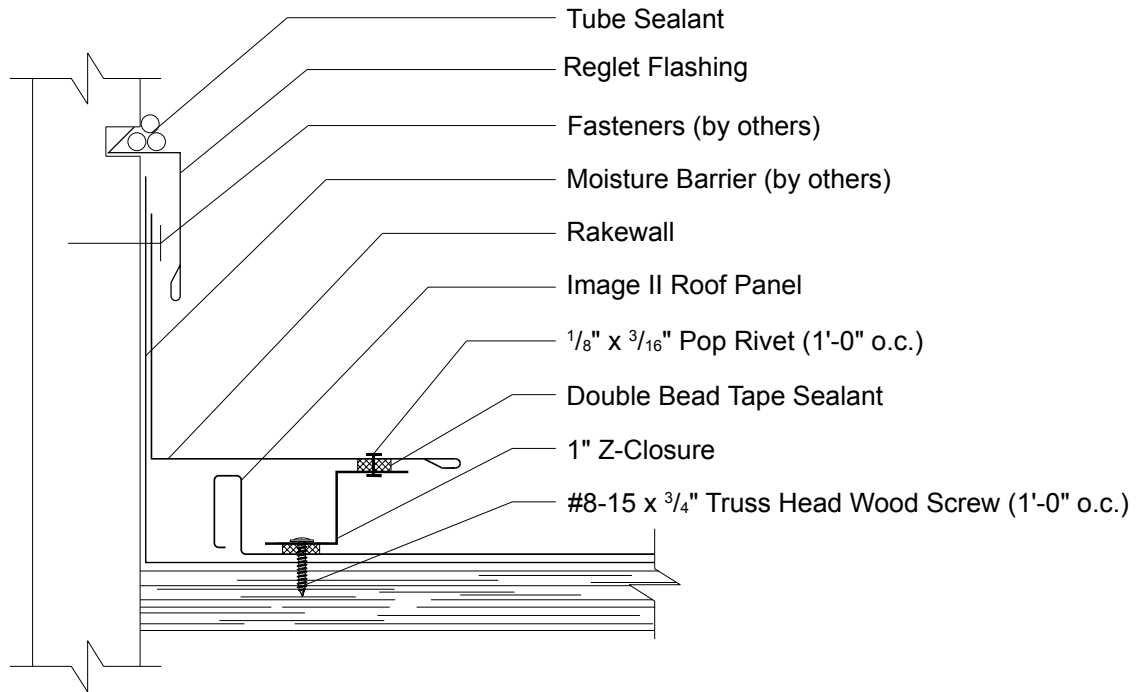


IMAGE II STEP RAKEWALL (COUNTER) DETAIL

3:12 Minimum
Roof Slope

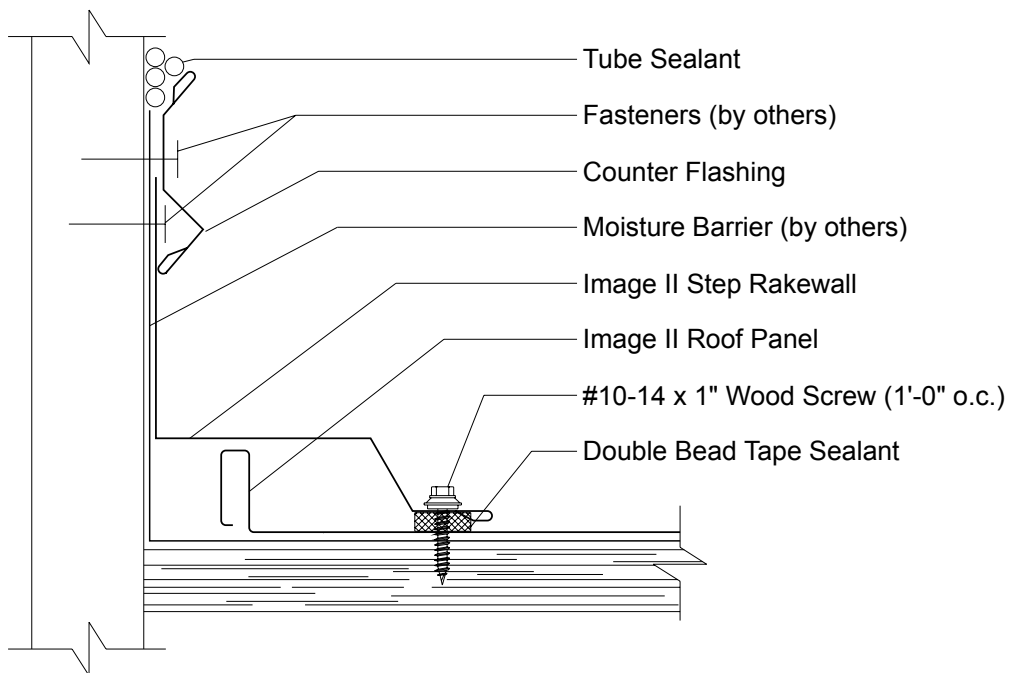


IMAGE II STEP RAKEWALL (REGLET) DETAIL

3:12 Minimum
Roof Slope

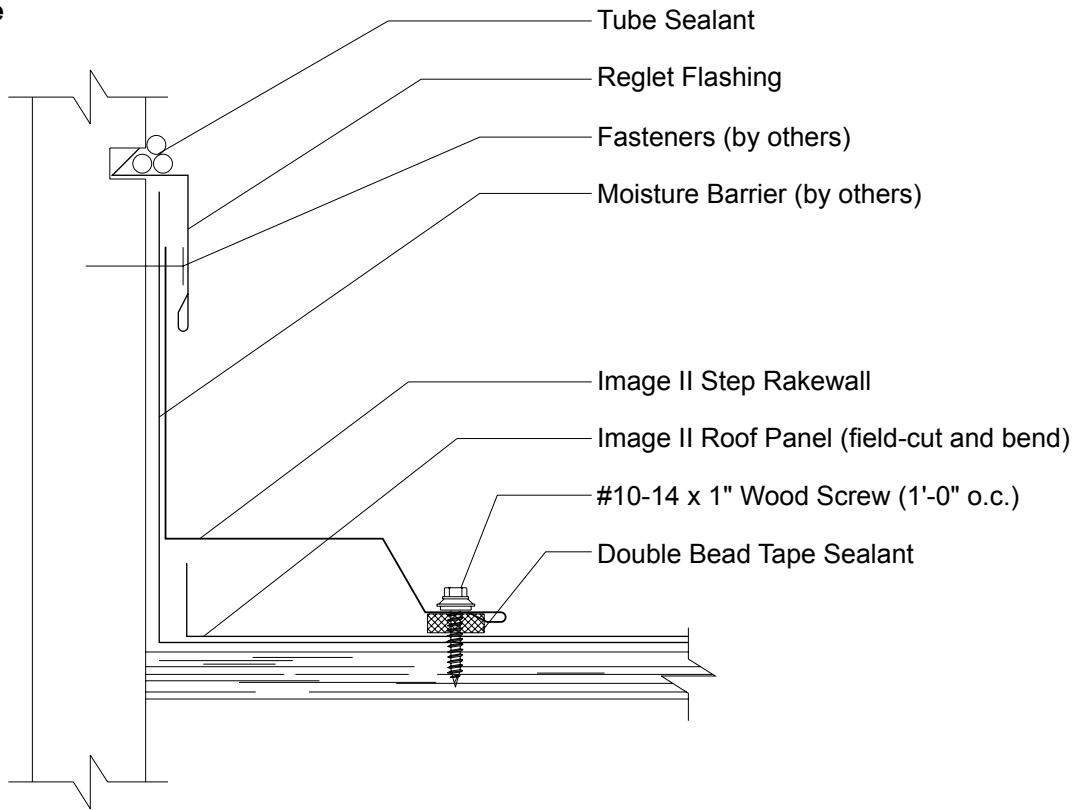
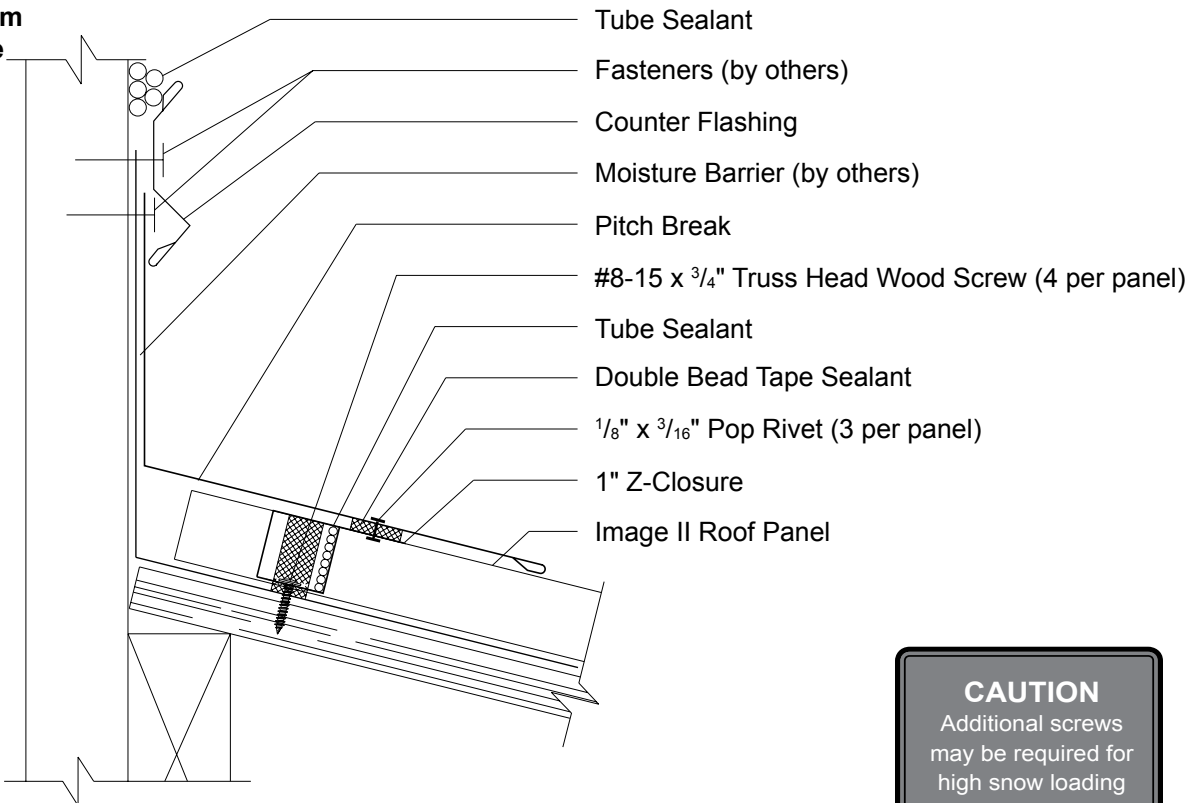


IMAGE II ENDWALL WITH Z-CLOSURE (COUNTER) DETAIL

3:12 Minimum
Roof Slope



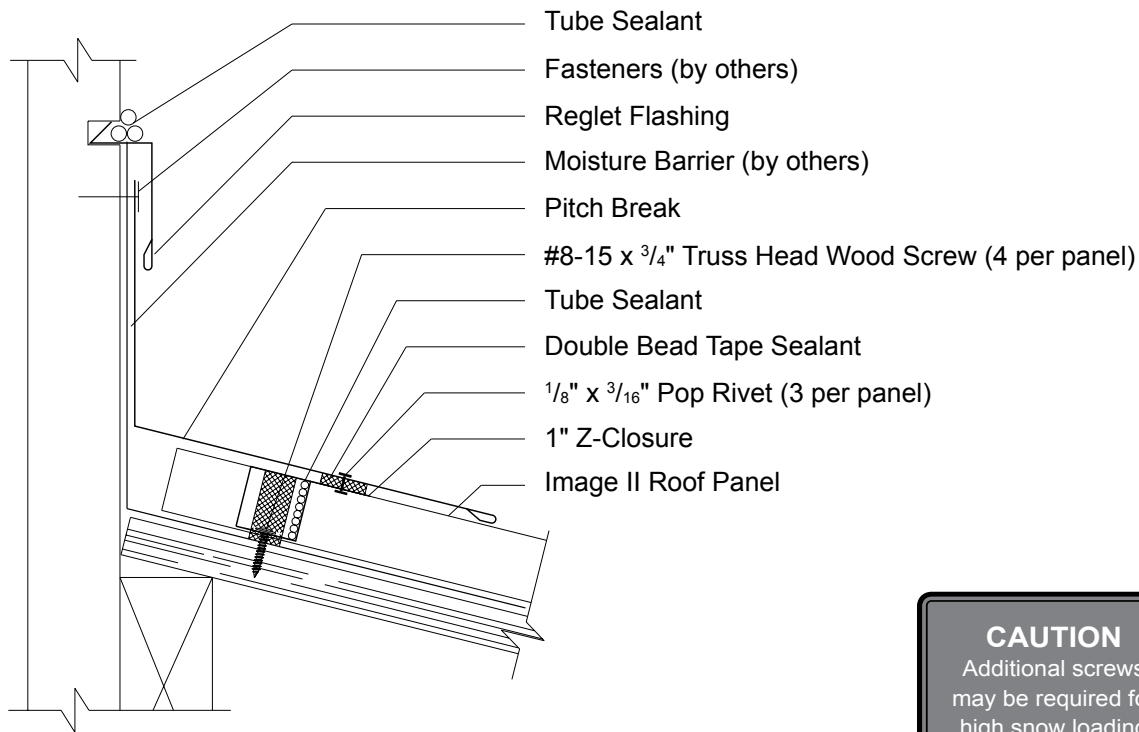
CAUTION

Additional screws
may be required for
high snow loading
and steep slopes.

Note: 1" Z-Closures must be field-cut and bent to fit between panel ribs (see Architectural Manual).

IMAGE II ENDWALL WITH Z-CLOSURE (REGLET) DETAIL

3:12 Minimum
Roof Slope



CAUTION
Additional screws
may be required for
high snow loading
and steep slopes.

Note: 1" Z-Closures must be field-cut and bent to fit between panel ribs (see Architectural Manual).

IMAGE II ENDWALL WITH FOAM CLOSURE (COUNTER) DETAIL

3:12 Minimum
Roof Slope

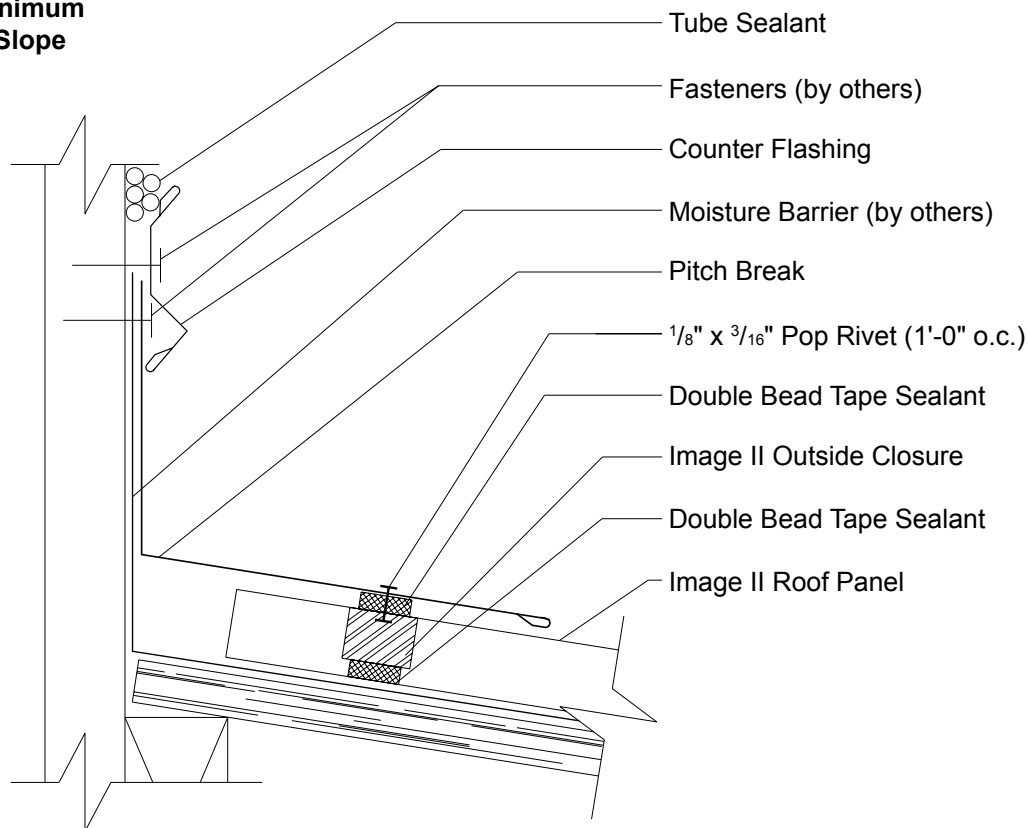
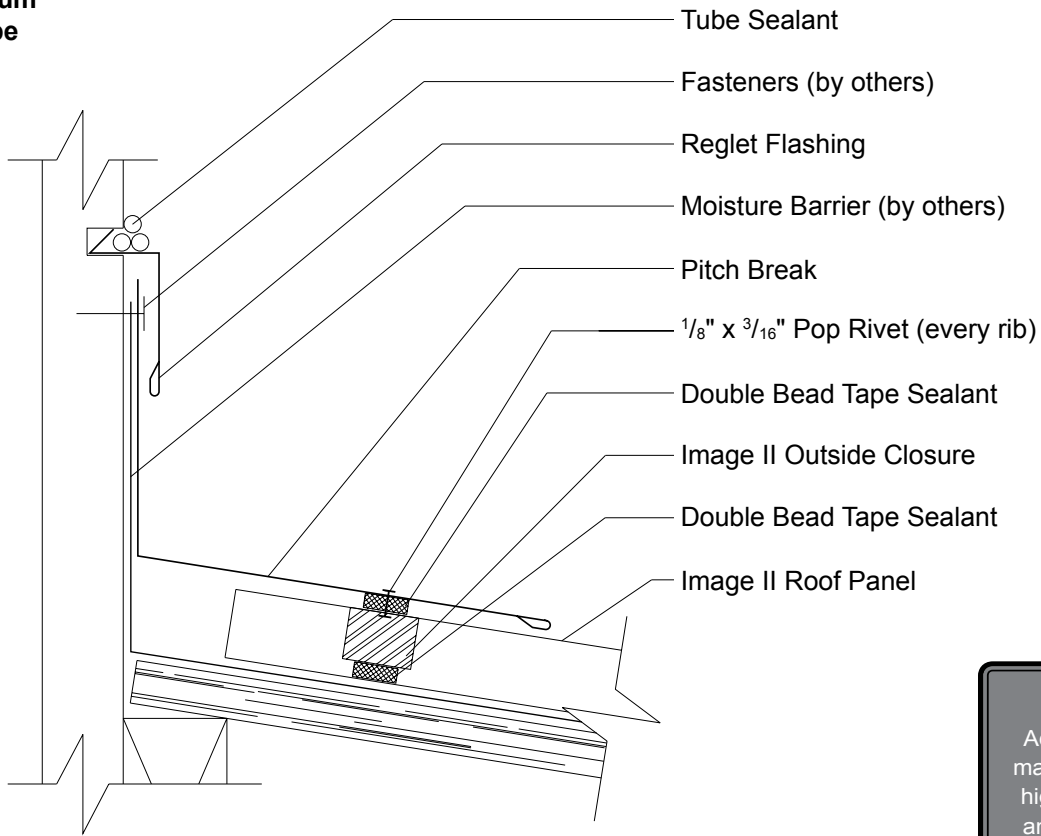


IMAGE II ENDWALL WITH FOAM CLOSURE (REGLET) DETAIL

3:12 Minimum
Roof Slope

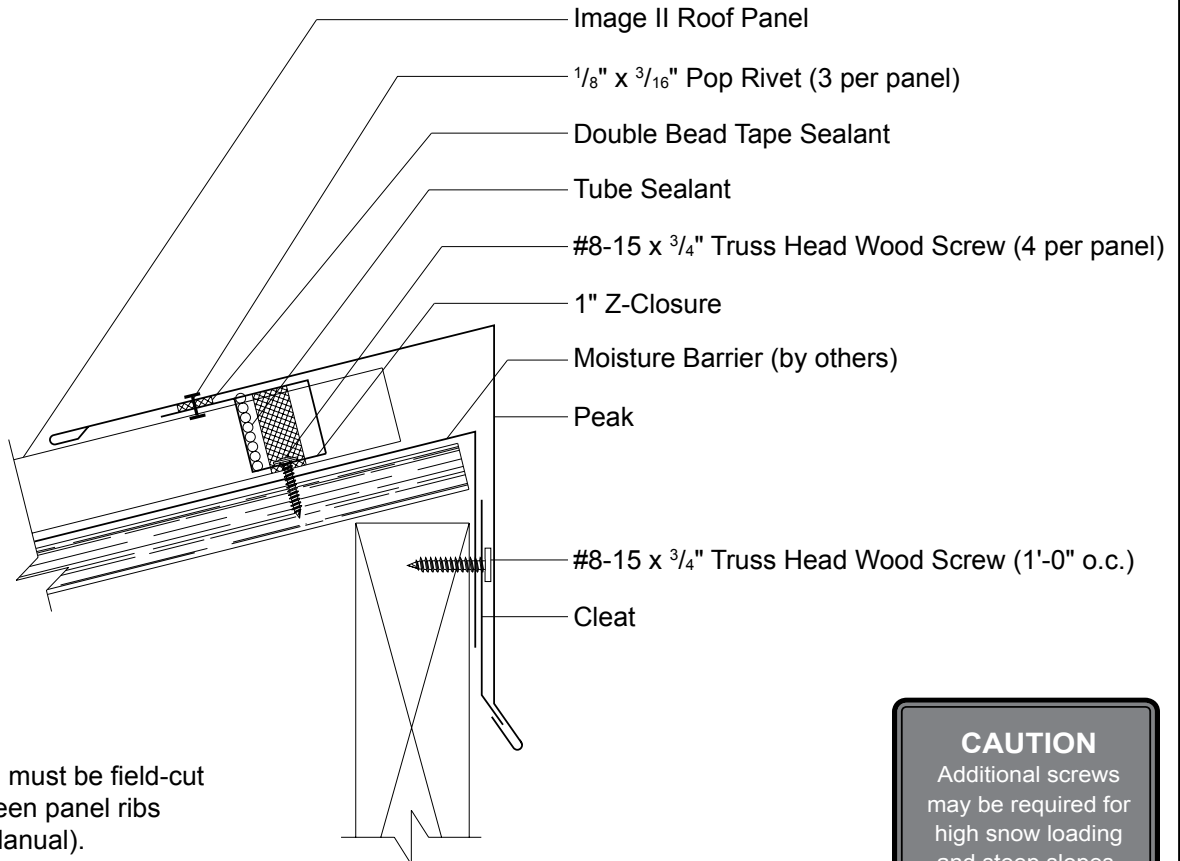


CAUTION

Additional screws
may be required for
high snow loading
and steep slopes.

IMAGE II PEAK WITH Z-CLOSURE DETAIL

3:12 Minimum
Roof Slope



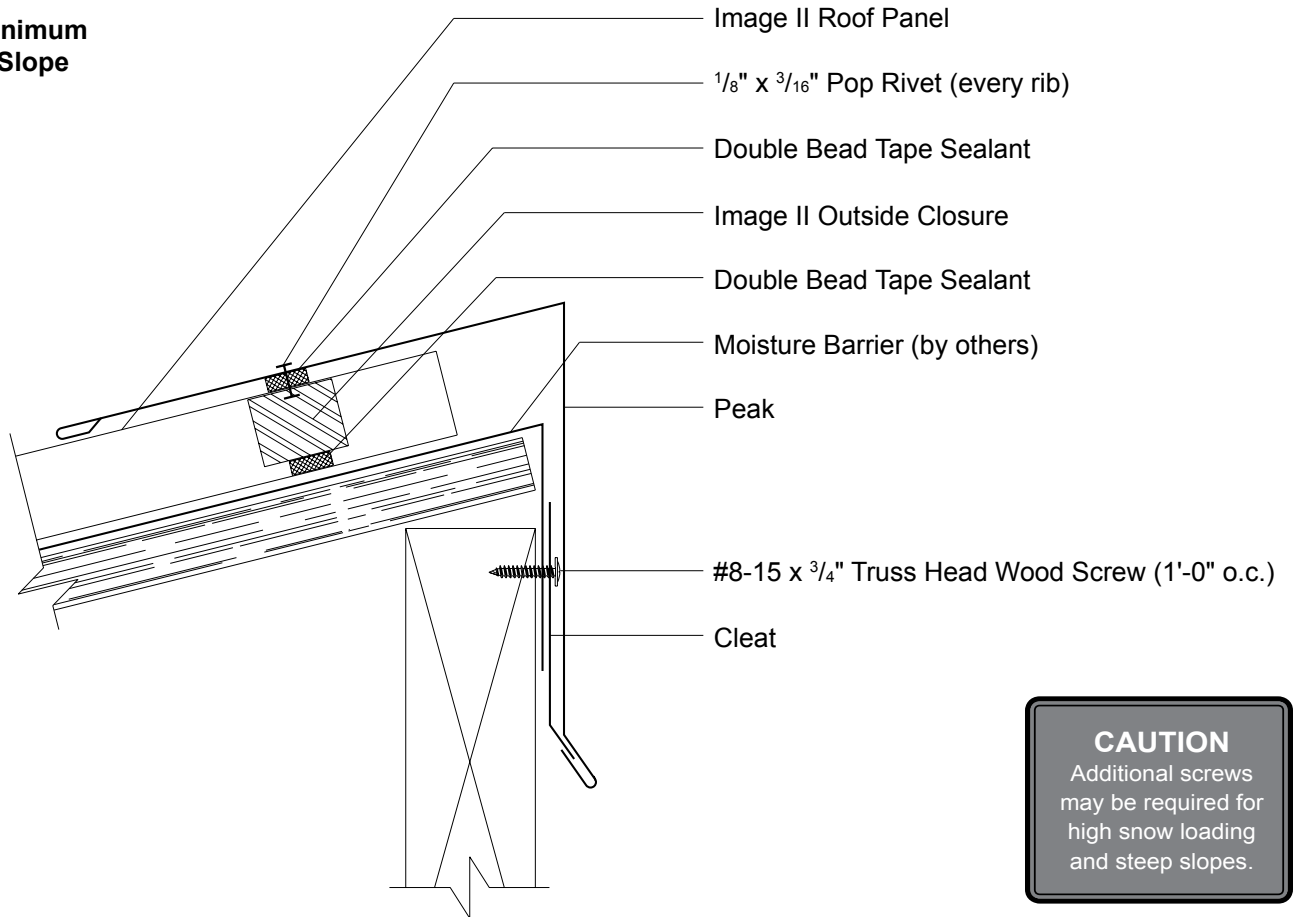
Note: 1" Z-Closures must be field-cut
and bent to fit between panel ribs
(see Architectural Manual).

CAUTION

Additional screws
may be required for
high snow loading
and steep slopes.

IMAGE II PEAK WITH FOAM CLOSURE DETAIL

3:12 Minimum
Roof Slope

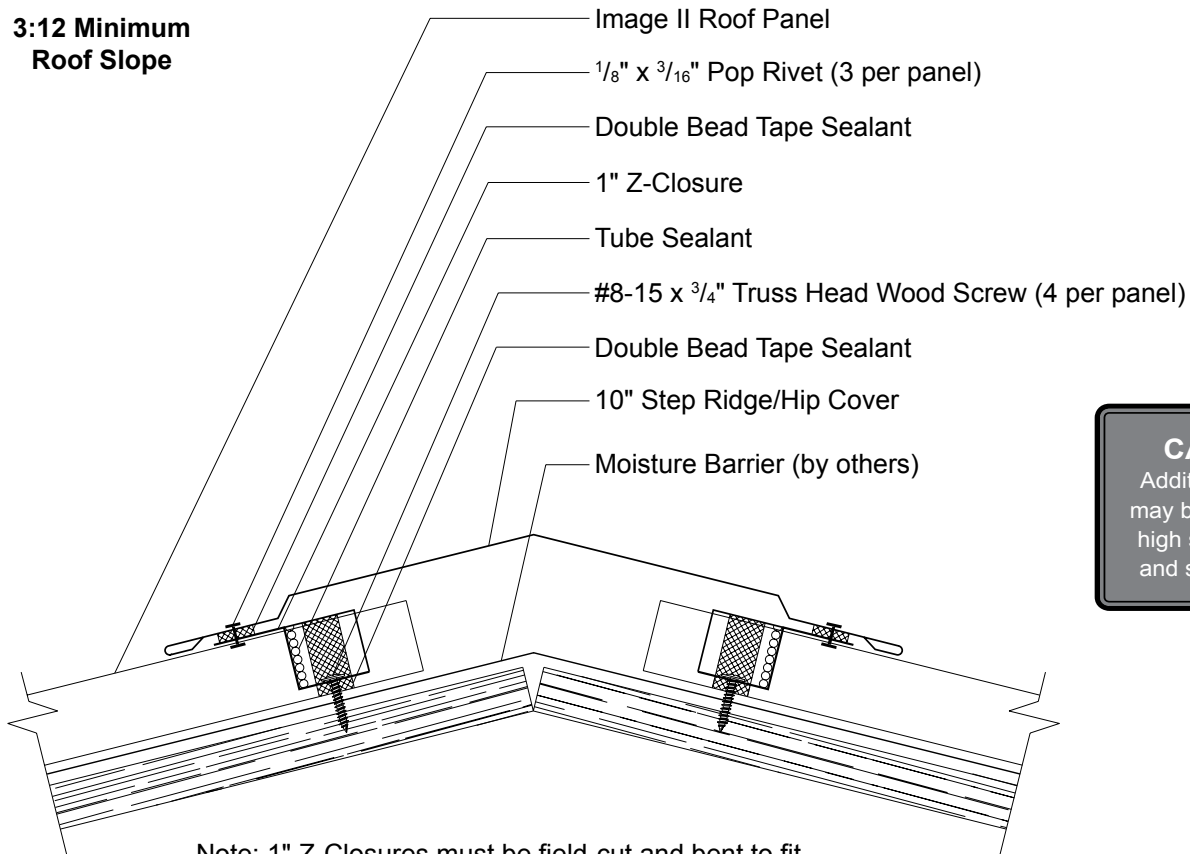


CAUTION

Additional screws
may be required for
high snow loading
and steep slopes.

IMAGE II RIDGE/HIP COVER DETAIL

3:12 Minimum
Roof Slope



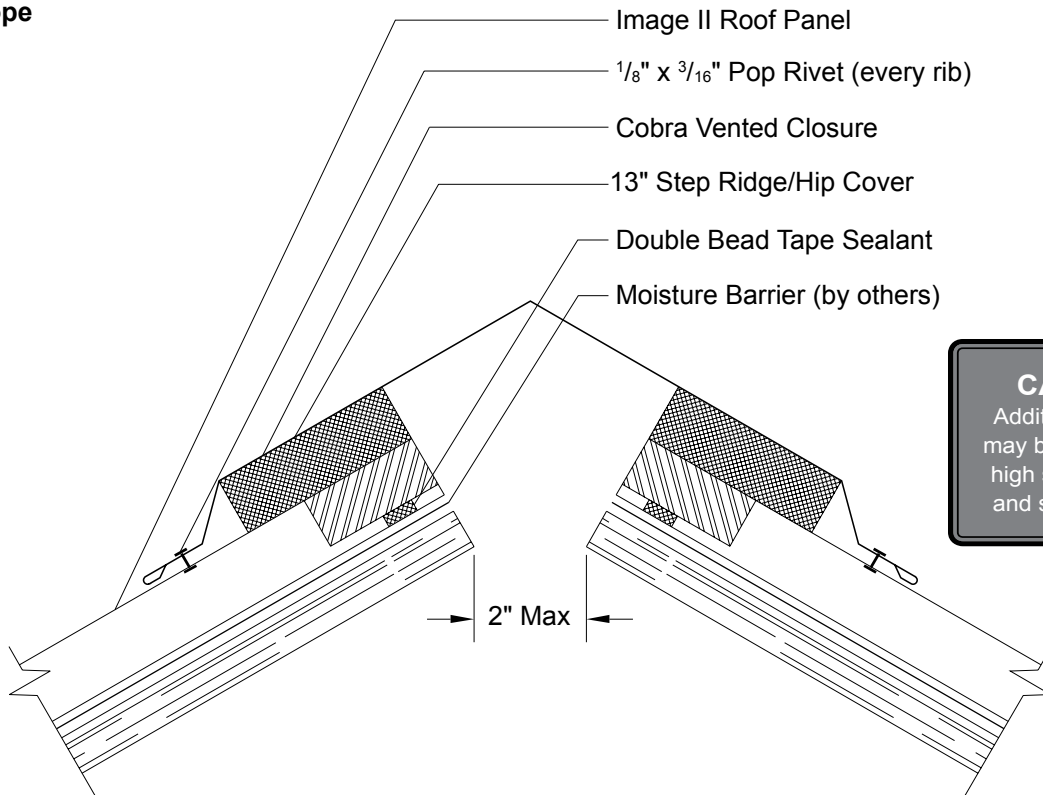
CAUTION

Additional screws
may be required for
high snow loading
and steep slopes.

Note: 1" Z-Closures must be field-cut and bent to fit
between panel ribs (see Architectural Manual).

IMAGE II VENTED RIDGE (COBRA VENT) DETAIL

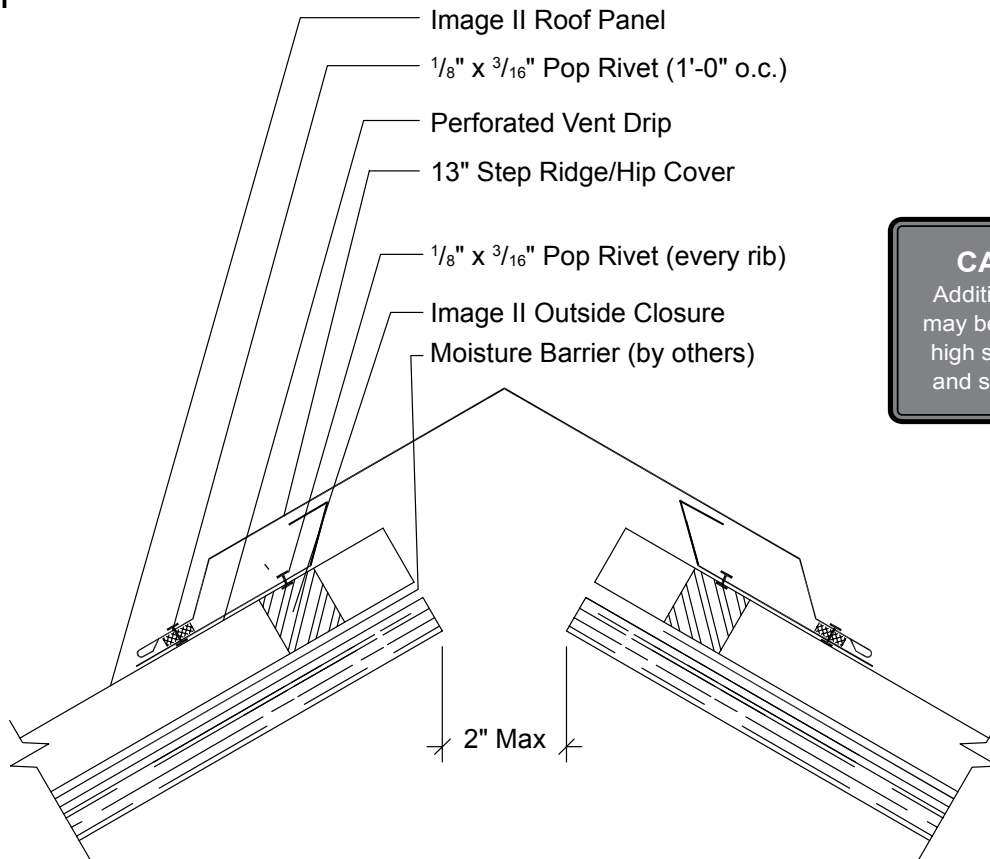
3:12 Minimum
Roof Slope



CAUTION
Additional screws
may be required for
high snow loading
and steep slopes.

IMAGE II VENTED RIDGE (PERFORATED VENT DRIP) DETAIL

3:12 Minimum
Roof Slope



CAUTION
Additional screws
may be required for
high snow loading
and steep slopes.