

**Product Page No.**

**Panel Information**

TL-17 Panel Profiles .....PF/I-2  
 TL-17 Panel Overview .....PF/I-2  
 TL-17A Panel Profiles .....PF/I-2  
 TL-17A Panel Overview .....PF/I-2  
 TL-19A Panel Profiles .....PF/I-3  
 TL-19A Panel Overview .....PF/I-3  
 TL-21 Panel Profiles .....PF/I-3  
 TL-21 Panel Overview .....PF/I-3

**Flashing Profiles**

Coping .....PF/I-4  
 Outside Corner .....PF/I-4  
 Inside Corner .....PF/I-4  
 Custom Sill/Head .....PF/I-4  
 Custom Sill to Soffit .....PF/I-4  
 Custom Soffit Cleat .....PF/I-4  
 Custom Jamb .....PF/I-4  
 Head/Jamb Cover .....PF/I-4  
 Custom Head Channel .....PF/I-4  
 Custom Base .....PF/I-4  
 Custom Z-Closure .....PF/I-4  
 Soffit Panel Miter Trim .....PF/I-4

**Accessory Profiles**

Universal Closure .....PF/I-5  
 Tape Sealant .....PF/I-5  
 Touch-Up Paint .....PF/I-5

**Testing Information**

TL-17 Section Properties and General Info .....PF/I-6  
 TL-21 Section Properties and General Info .....PF/I-7

**Design/Installation Considerations**

Fastener Installation Technique .....PF/I-8  
 Condition of Substructure .....PF/I-8  
 TL-17 Fastening Pattern .....PF/I-9  
 TL-17A Fastening Pattern .....PF/I-9  
 TL-19A Fastening Pattern .....PF/I-10  
 TL-21 Fastening Pattern .....PF/I-10

**Detail Conditions**

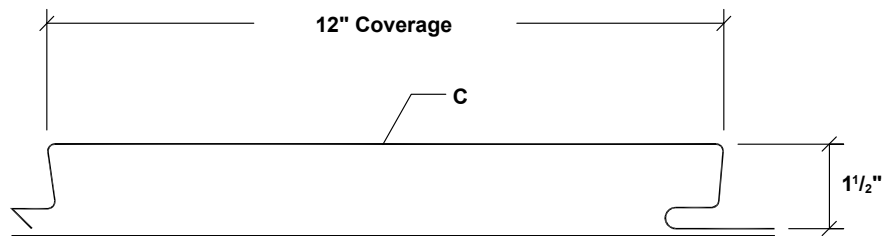
Coping Detail .....PF/I-11  
 Outside Corner Detail .....PF/I-11  
 Inside Corner Detail .....PF/I-12  
 Sill/Head Detail .....PF/I-12  
 Sill to Soffit Detail (+ option) .....PF/I-13  
 Soffit Jamb Detail .....PF/I-13  
 Soffit Miter Trim Detail .....PF/I-14  
 Jamb Detail .....PF/I-14  
 Head Detail .....PF/I-15  
 Base Detail .....PF/I-15

**Notes**

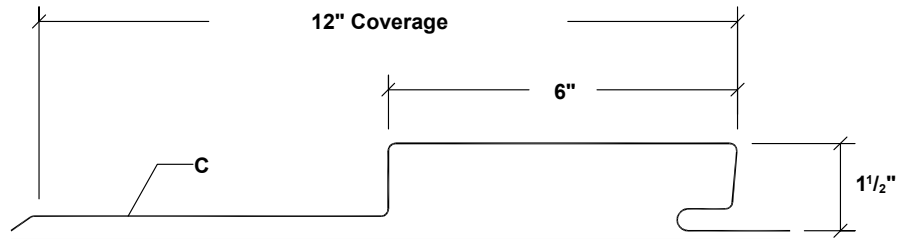
Notes .....PF/I-16

# FLUSH FACE / INTERIOR LINER SERIES TL-17 AND TL-17A PANEL OVERVIEW

## TL-17 PANEL PROFILE



## TL-17A PANEL PROFILE



## SUBSTRATE

Flush Faced panels are designed to be utilized over open structural framing, but can easily be used with a solid substrate. The recommended substrate is  $5/8$ " plywood with a 30 pound felt moisture barrier. To avoid panel distortion, use a properly aligned and uniform substructure.

## COVERAGE

Flush Faced panels are available in 12" width and  $1\frac{1}{2}$ " height.

## LENGTH

Lengths under 5'-0" are available with some cutting restrictions. The maximum panel length is 30'-0" (see PGI-2 and PGI-3 for locations).

## AVAILABILITY

Panels are available in 24 through 18 gauge. Minimum quantities may apply.  
Custom capabilities include:  
-Perforated panels for wind screens and liner panels.

## APPLICATION

Soffit, Fascia, Wall and Liner

## FASTENING SYSTEM

Direct Fastened (concealed)

## FASTENERS

The fastener selection guide should be consulted for choosing proper fasteners for specific applications. Quantity and type of fastener must meet necessary loading and code requirements (see PGI-12 through PGI-14). Adhesive may be necessary in the sidelap to prevent disengagement.

## MATERIALS

24 and 22 gauge: Steel Grade 50, AZ50 or AZ55 per ASTM A 792  
20 and 18 gauge: Steel Grade 33, G90 per ASTM A 653  
Optional material: stainless steel, copper and aluminum

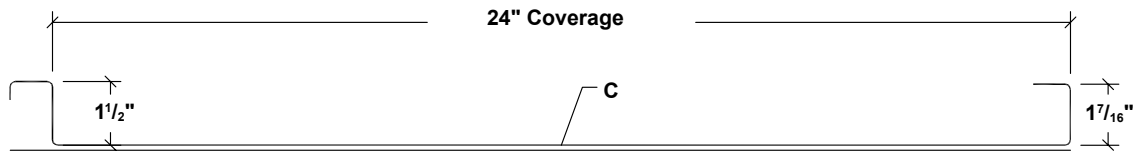
## FINISH

- ▶ \*Acrylic Coated Galvalume® (ACG): AZ55 per ASTM A 792
- ▶ Prepainted Galvalume®: AZ50 per ASTM A 792
- ▶ MS Colorfast45®
- ▶ \*\*PVDF
- ▶ Multi-Pass Kynar 500®
- ▶ Marbilique
- ▶ Plastisol
- ▶ Polyester

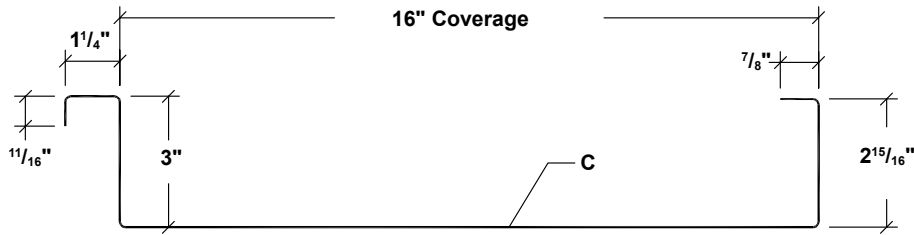
\* Differential appearance of Acrylic Coated Galvalume® roofing materials is not a cause for rejection.

\*\* Meets both Kynar 500® and Hylar 5000® specifications.

**TL-19A PANEL PROFILE**



**TL-21 PANEL PROFILE**



**SUBSTRATE**

Liner panels are designed to be utilized over open structural framing, but can easily be used with a solid substrate. The recommended substrate is 5/8" plywood with a 30 pound felt moisture barrier. To avoid panel distortion, use a properly aligned and uniform substructure.

**COVERAGE**

Liner panels are available in 16" (TL-19A) or 24" (TL-21) width and 1 7/16" (TL-19A) or 2 5/16" (TL-21) height.

**LENGTH**

Lengths under 5'-0" are available with some cutting restrictions. The maximum panel length is 32'-0" (see PGI-2 and PGI-3 for locations).

**AVAILABILITY**

Panels are available in 24 through 18 gauge. Minimum quantities may apply.  
 Custom capabilities include:  
 -Perforated panels for wind screens and liner panels.

**APPLICATION**

Liner

**FASTENING SYSTEM**

Direct Fastened (exposed)

**FASTENERS**

The fastener selection guide should be consulted for choosing proper fasteners for specific applications. Quantity and type of fastener must meet necessary loading and code requirements (see PGI-12 through PGI-14).

**MATERIALS**

24 and 22 gauge: Steel Grade 50, AZ50 or AZ55 per ASTM A 792  
 20 and 18 gauge: Steel Grade 33, G90 per ASTM A 653  
 Optional material: stainless steel, copper and aluminum

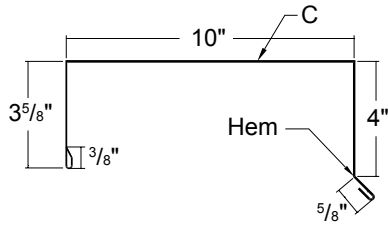
**FINISH**

- ▶ \*Acrylic Coated Galvalume® (ACG): AZ55 per ASTM A 792
- ▶ Prepainted Galvalume®: AZ50 per ASTM A 792
- ▶ MS Colorfast45®
- ▶ \*\*PVDF
- ▶ Multi-Pass Kynar 500®
- ▶ Marbilique
- ▶ Plastisol
- ▶ Polyester

\* Differential appearance of Acrylic Coated Galvalume® roofing materials is not a cause for rejection.

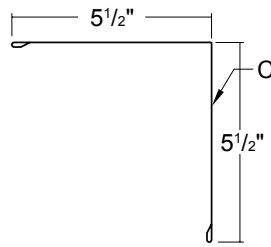
\*\* Meets both Kynar 500® and Hylar 5000® specifications.

**COPING**



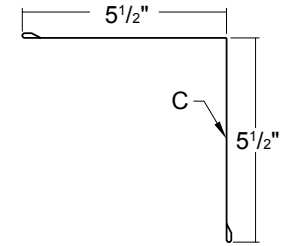
Length 10'-0"

**OUTSIDE CORNER**



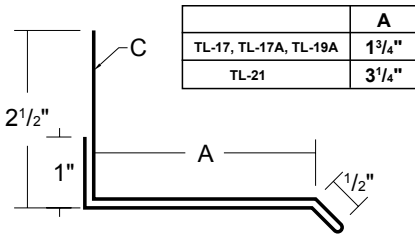
Length 10'-0"

**INSIDE CORNER**



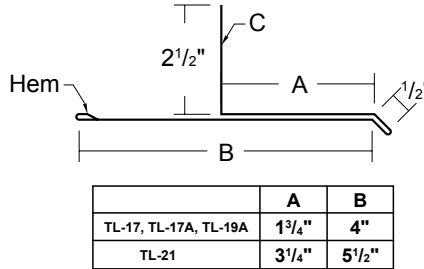
Length 10'-0"

**CUSTOM SILL/HEAD**



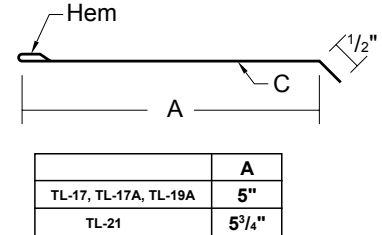
Length 10'-0"

**CUSTOM SILL TO SOFFIT**



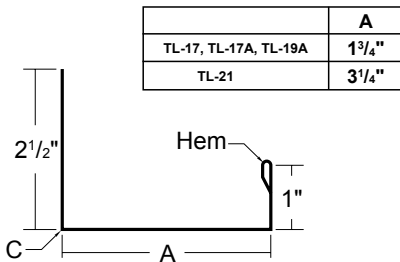
Length 10'-0"

**CUSTOM SOFFIT CLEAT**



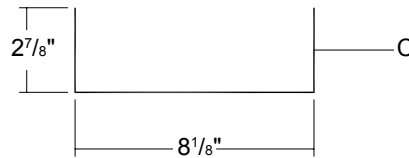
Length 10'-0"

**CUSTOM JAMB**



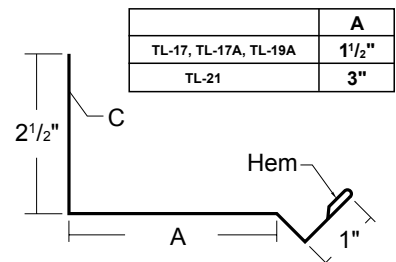
Length 10'-0"

**HEAD/JAMB COVER**



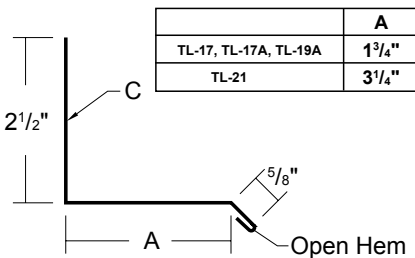
Length 10'-0"

**CUSTOM HEAD CHANNEL**



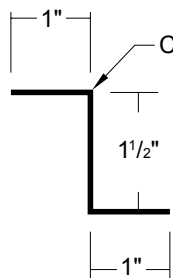
Length 10'-0"

**CUSTOM BASE**



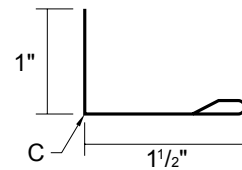
Length 10'-0"

**CUSTOM Z-CLOSURE**



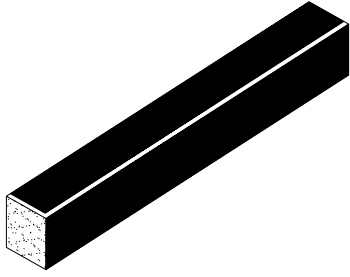
Length 10'-0"

**SOFFIT PANEL MITER TRIM**



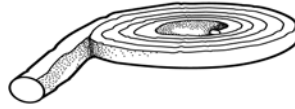
Length 10'-0"

**UNIVERSAL CLOSURE**



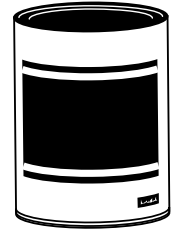
1" x 1½" x 50' Polyethylene Foam  
1" x 1½" x 10' Polyethylene Foam

**TAPE SEALANT**

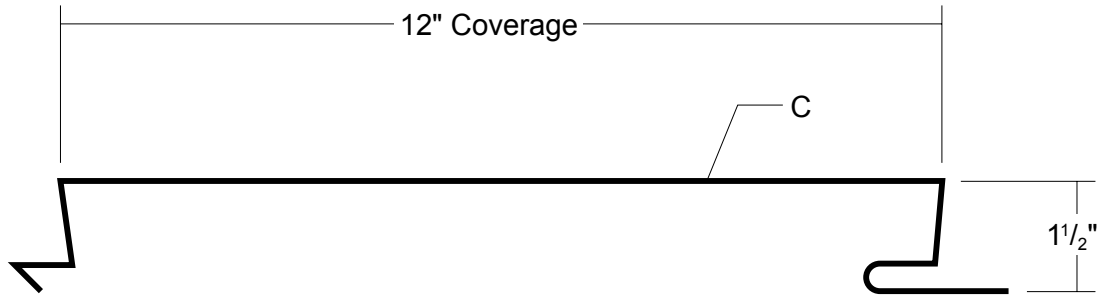


3/8" X 3/32" X 50'  
Single Bead Tape Sealant  
Butyl - Gray

**TOUCH-UP PAINT**



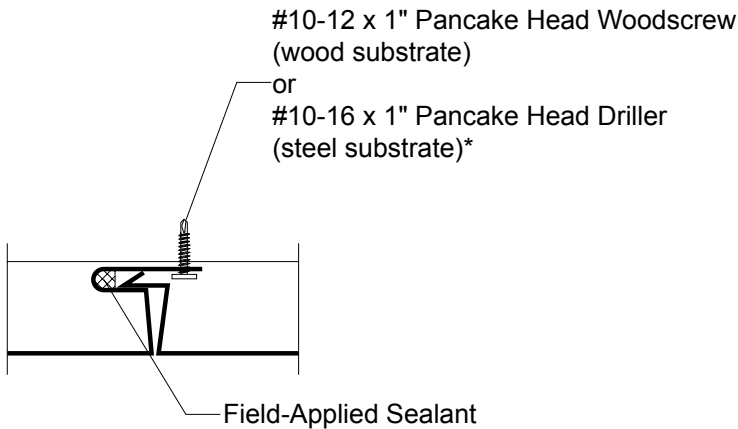
Available in 2 oz Bottles  
PVDF / MS Colorfast45®



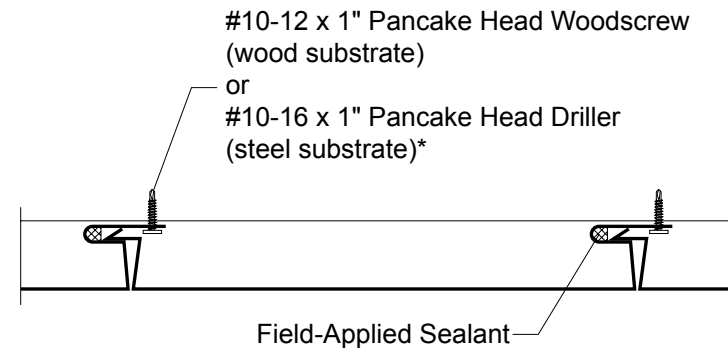
SECTION PROPERTIES								ALLOWABLE UNIFORM LOADS psf (3 or More Equal Spans)											
Ga	Width in	Yield ksi	Weight psf	Top in Compression		Bottom in Compression		Inward Load				Outward Load							
				Ixx in <sup>4</sup> /ft	Sxx in <sup>3</sup> /ft	Ixx in <sup>4</sup> /ft	Sxx in <sup>3</sup> /ft	2'	3'	4'	5'	6'	8'	2'	3'	4'	5'	6'	8'
24	12	50	1.34	0.0495	0.0562	0.0746	0.0597	50	45	39	34	28	18	81	71	62	51	36	20
22	12	50	1.76	0.0714	0.0847	0.1014	0.0811	63	56	50	44	38	25	29	29	29	29	0	0
20	12	33	2.15	0.1017	0.1314	0.1328	0.1071	63	56	50	44	38	25	29	29	29	29	0	0
18	12	33	2.82	0.1534	0.1851	0.1839	0.1486	63	56	50	44	38	25	29	29	29	29	0	0

- Theoretical section properties have been calculated per AISI 2012 "Specification for the Design of Cold-formed Steel Structural Members." Ixx and Sxx are effective section properties for deflection and bending.
- Allowable load is calculated in accordance with AISI 2012 specifications considering bending, shear, combined bending and shear, deflection, and panel testing. 24 ga test results require field applied adhesive. Allowable load considers the worst case of 3 and 4 equal span conditions. Allowable load does not address web crippling or fasteners/support connection. Panel weight is not considered.
- Deflection is limited to L/180.
- Allowable loads do not include a 1/3 stress increase.

**ATTACHMENT DETAIL**



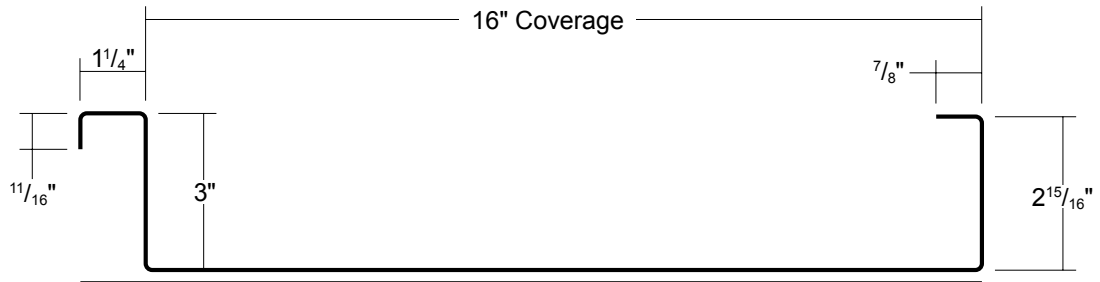
**FASTENING PATTERNS**



\*Pre-drilling into thicker steel may be required.

**GENERAL INFORMATION**

- Substructure**  
 TL-17 panels are designed to be utilized over open structural framing or a solid substrate.
- Coverage**  
 TL-17 panels are available in a 1 1/2 inch depth with a 12 inch width coverage.
- Length**  
 Minimum factory cut length is 5'-0".  
 Maximum available panel length is 30'-0".
- Fasteners**  
 The fastener selection guide should be consulted for choosing the proper fastener for specific applications. Quantity and type of fastener must meet necessary loading and code requirements.  
*NOTE: All panels are subject to surface distortion due to improperly applied fasteners. Overdriven fasteners will cause stress and induce oil canning across the face of the panel at or near the point of attachment.*
- Availability**  
*Finishes:* PVDF (Kynar 500®) standard; optional: multi-pass Kynar 500®, Marblique, Plastisol and Polyester  
*Gauges:* 24ga, 22ga, 20ga and 18ga

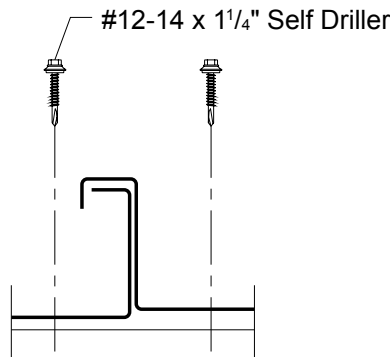


**NOTE:** Either side of panel can be painted, please specify

SECTION PROPERTIES								ALLOWABLE UNIFORM LOADS psf (3 or More Equal Spans)											
Ga	Width in	Yield ksi	Weight psf	Top in Compression		Bottom in Compression		Inward Load						Outward Load					
				Ixx in <sup>4</sup> /ft	Sxx in <sup>3</sup> /ft	Ixx in <sup>4</sup> /ft	Sxx in <sup>3</sup> /ft	4'	5'	6'	7'	8'	9'	4'	5'	6'	7'	8'	9'
24	16	50	1.38	0.3159	0.1243	0.1884	0.1100	130	89	64	49	38	30	141	97	71	54	42	34
22	16	50	1.82	0.4836	0.1971	0.2707	0.1667	219	145	103	77	59	47	250	168	120	89	69	55
20	16	33	2.22	0.7053	0.3005	0.3724	0.2447	223	145	102	76	58	46	266	175	124	92	71	56
18	16	33	2.93	0.9490	0.4070	0.5441	0.3431	312	204	143	106	81	65	363	238	168	125	96	76

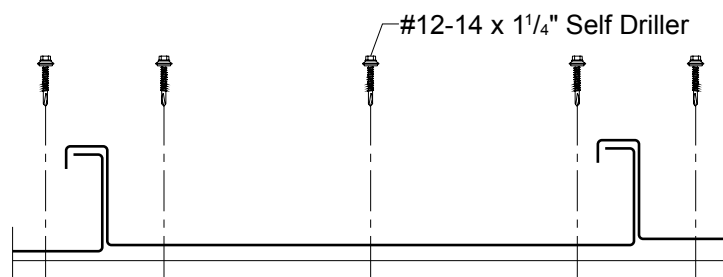
- Theoretical section properties have been calculated per AISI 2012 "Specification for the Design of Cold-formed Steel Structural Members." Ixx and Sxx are effective section properties for deflection and bending.
- Allowable load is calculated in accordance with AISI 2012 specifications considering bending, shear, combined bending and shear and deflection. Allowable load considers the 3 or more equal span condition. Allowable load does not address web crippling, fasteners/support connection or load testing. Panel weight is not considered.
- Deflection is limited to L/180. Allowable loads do not include a 1/3 stress increase.

**ATTACHMENT DETAIL**



**FASTENING PATTERN**

**Ends and Field of Panel**



**GENERAL INFORMATION**

► **Substructure**

TL-21 Panels are designed to be utilized over open structural framing or a solid substrate.

► **Coverage**

TL-21 Panels are available in a 3" depth with a 16" width coverage.

► **Length**

Minimum factory cut length is 5'-0".  
Maximum available panel length is 32'-0".

► **Fasteners**

The fastener selection guide should be consulted for choosing the proper fastener for specific applications. Quantity and type of fastener must meet necessary loading and code requirements.

*NOTE: All panels are subject to surface distortion due to improperly applied fasteners. Overdriven fasteners will cause stress and induce oil canning across the face of the panel at or near the point of attachment.*


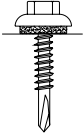
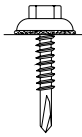
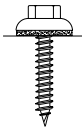
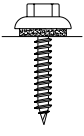
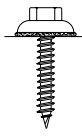
► **Availability**

*Finishes:* PVDF (Kynar 500®) standard; optional: multi-pass Kynar 500®, Marblique, Plastisol, Polyester and MS Colorfast45® (SMP)  
*Gauges:* 24ga, 22ga, 20ga and 18ga

**FASTENER INSTALLATION TECHNIQUE**

**Recommended Tool Type** - Use depth locating nose or adjustable clutch on screw gun to prevent overdrilling and strip out. **Do not use impact tools or runners.**

**Seating the washer** - Apply sufficient torque to seat the washer - do not overdrive the fastener.

	<b>CORRECT</b> Sealing material slightly visible at edge of metal washer. Assembly is watertight.	<b>TOO LOOSE</b> Sealing material is not visible; not enough compression to seal properly.	<b>TOO TIGHT</b> Metal washer deformed; sealing material pressed beyond washer edge.
<b>SELF DRILLER</b>			
<b>WOODSCREW</b>			

**To prevent wobbling** - Make sure fastener head is completely engaged in the socket. If the head does not go all the way in the socket - tap the magnet deeper into the socket to allow full head engagement. Metal chips will build up from drilling and should be removed from time to time.

**Protect drill point** - Push only hard enough on the screw gun to engage clutch. This prevents excess friction and burn out of the drill point. Correct pressure will allow screw to drill and tap without binding.

**Drilling through sheet and insulation** - Ease up on pressure when drilling through insulation to avoid striking the purlin or girt with the point - apply more pressure after drill point contacts purlin or girt.

**Drilling through purlin overlaps** - Drilling through lapped purlins requires extra care. Excessive voids between purlins sometimes damages drill points and two self-drillers might be necessary to complete the operation. It is sometimes advantageous to predrill.

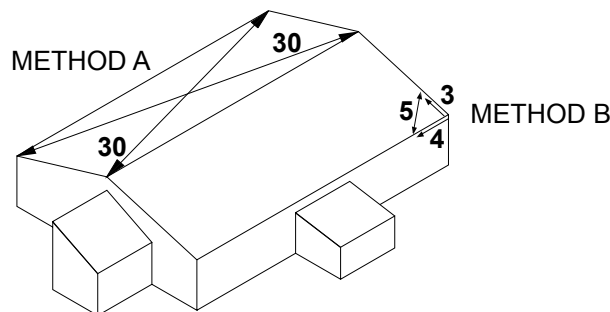
**CONDITION OF SUBSTRUCTURE**

Whether over solid substrate or open structural framing, panel distortion may occur if not applied over properly aligned and uniform substructure.

The installer should check the roof deck for squareness before installing Flush Face / Interior Liner panels. Several methods can be used to verify squareness of the structure for proper installation of the panels.

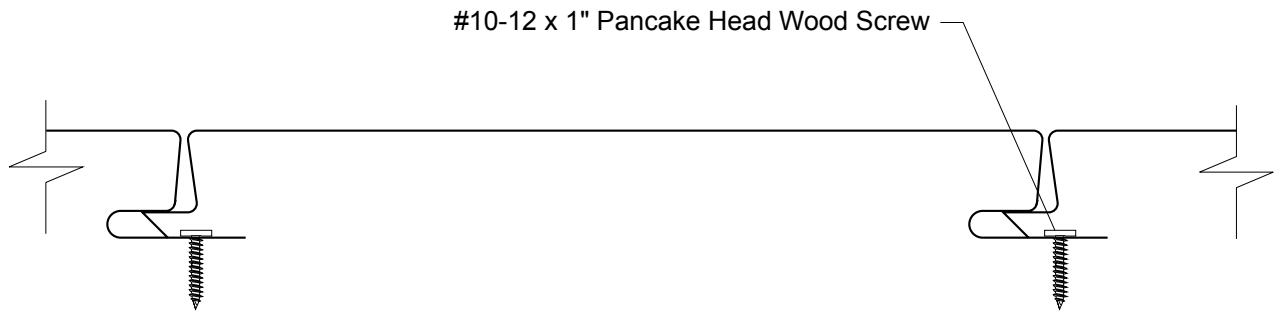
**METHOD "A"** - One method for checking the roof for squareness is to measure diagonally across one slope of the roof from similar points at the ridge and eave and obtain the same dimension.

**METHOD "B"** - The 3-4-5 triangle system may also be used. To use this system measure a point from the corner along the edge of the roof at a module of three (3). Measure a point from the same corner along another edge at a module of four (4). Then by measuring diagonally between the two points established, the dimension should be exactly a module of five (5) to have a square corner. Multiple uses of this system may be required to determine building squareness. If the endwall cannot be made square, the roof system cannot be installed as shown in these instructions.

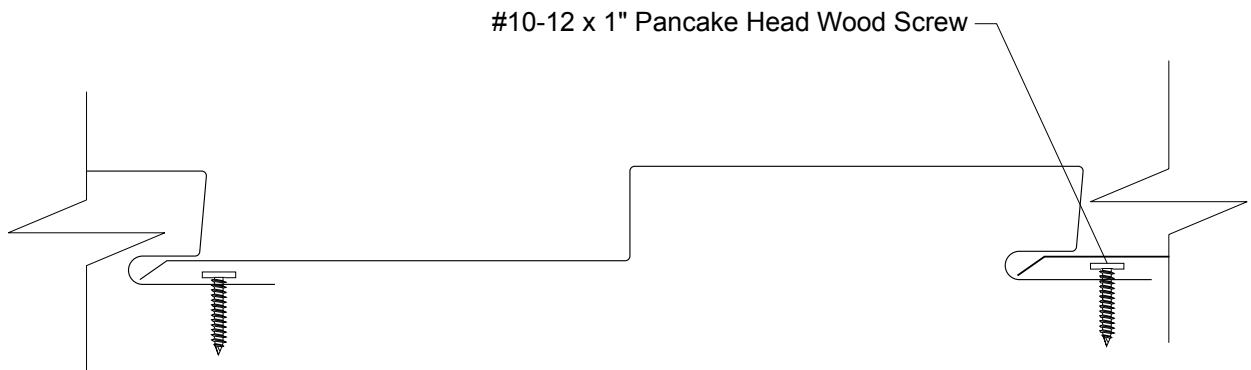




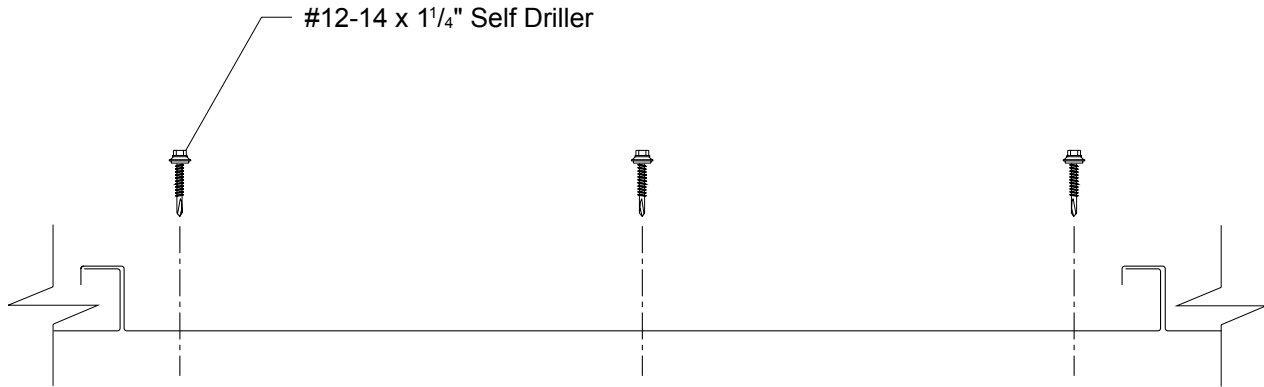
**TL-17 FASTENING PATTERNS**



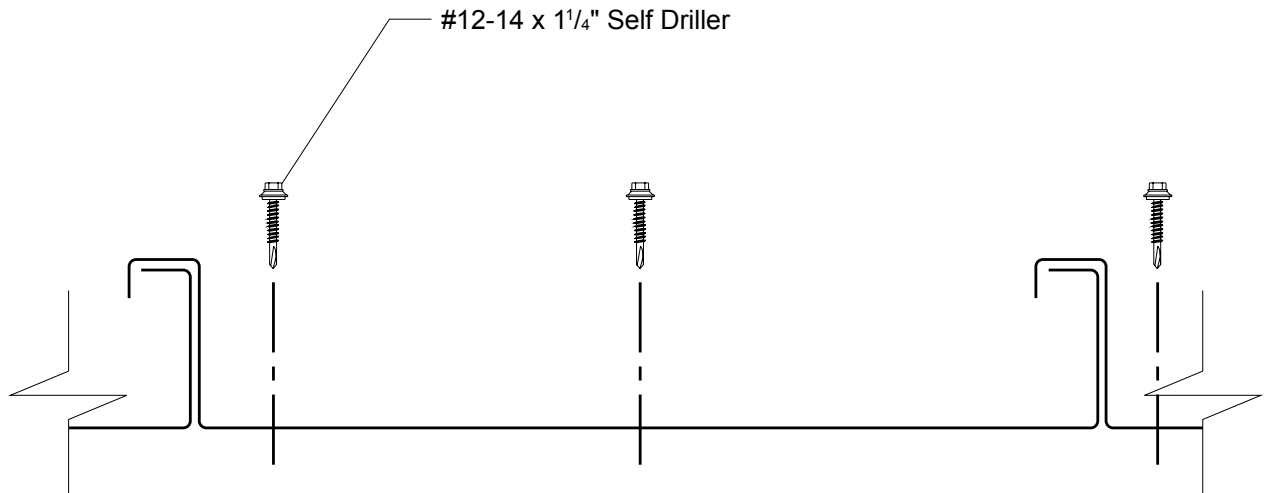
**TL-17A FASTENING PATTERNS**



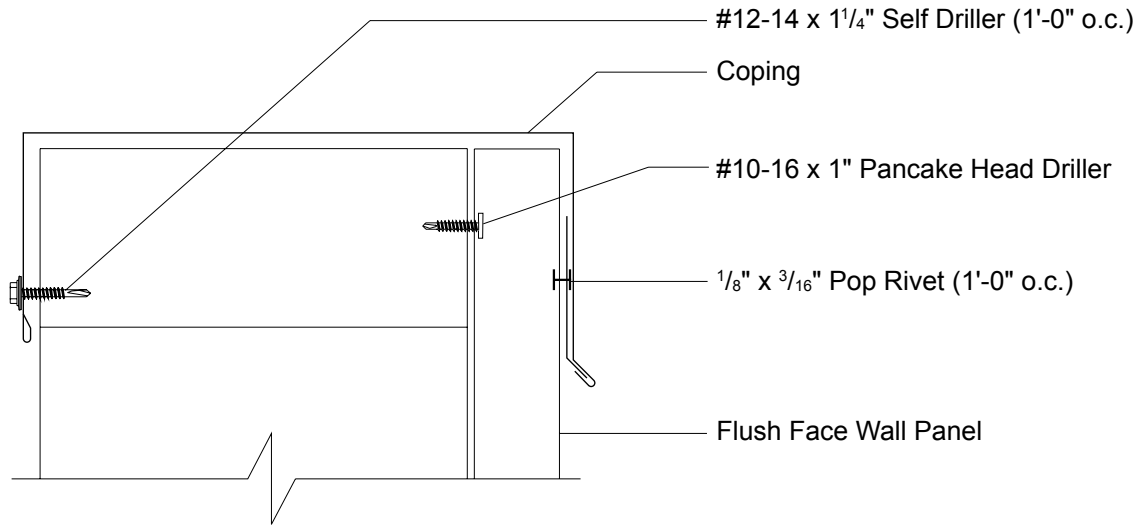
**TL-19A FASTENING PATTERNS**



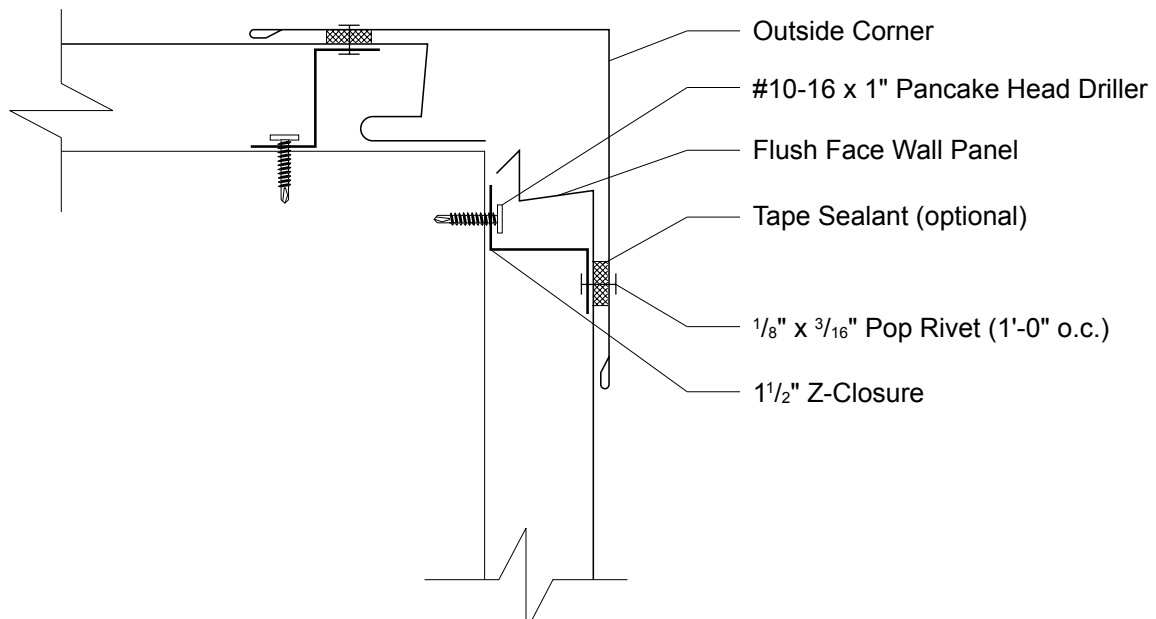
**TL-21 FASTENING PATTERNS**

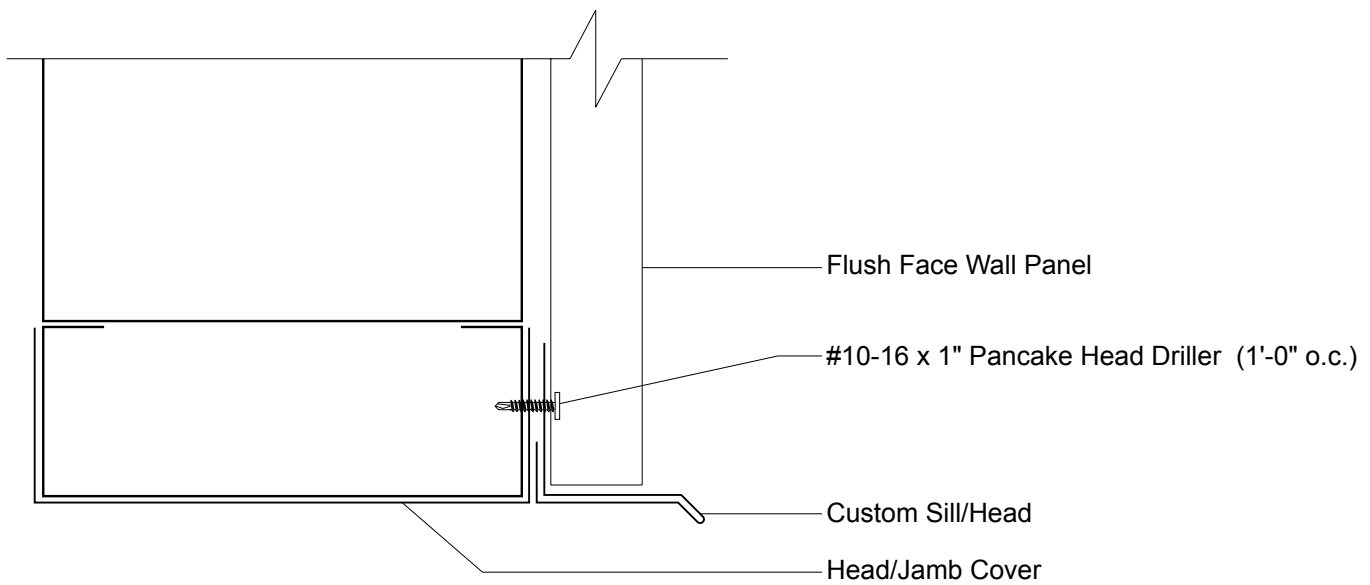
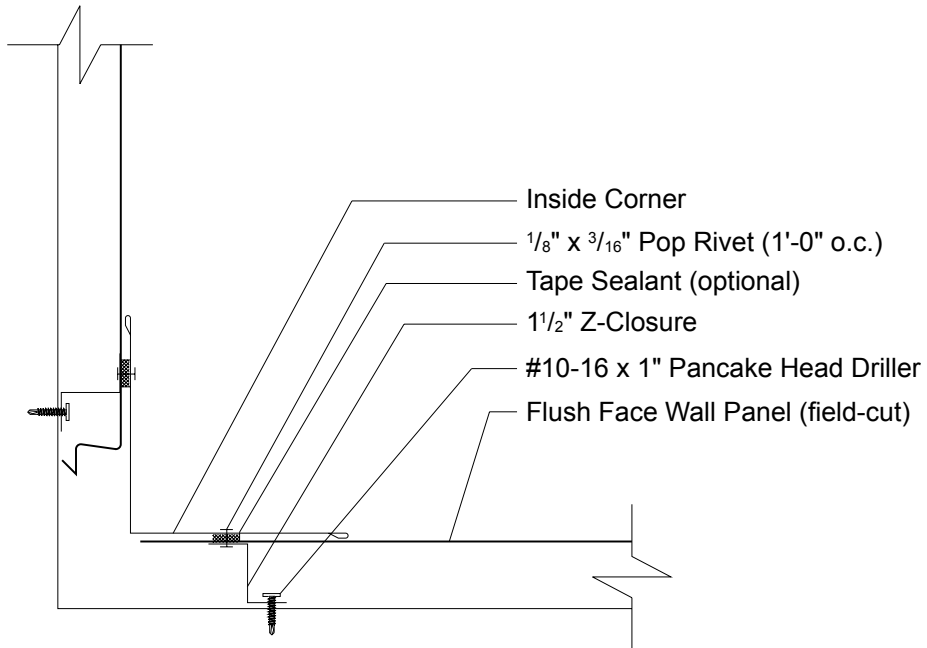


**FLUSH FACE / INTERIOR LINER SERIES**    **COPING DETAIL**

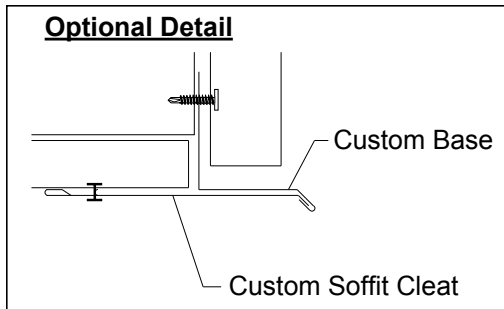
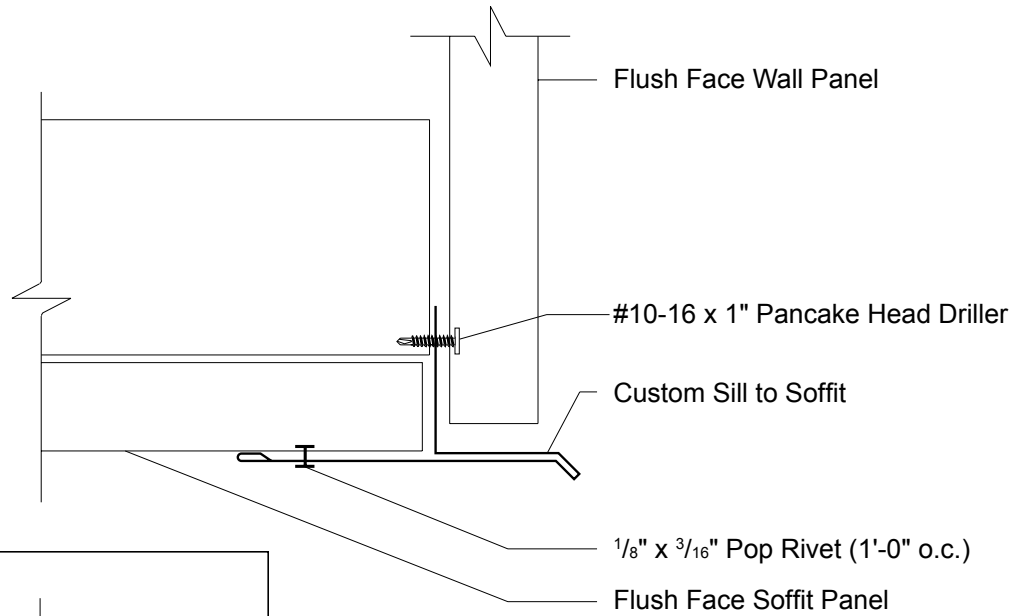


**FLUSH FACE / INTERIOR LINER SERIES**    **OUTSIDE CORNER DETAIL**

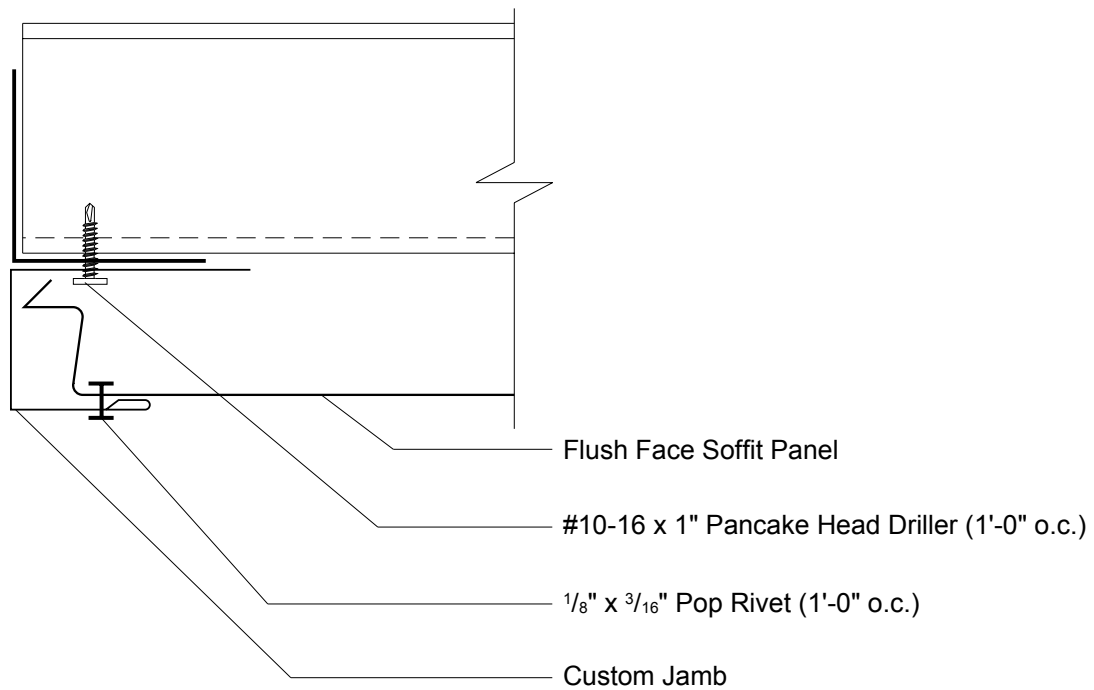


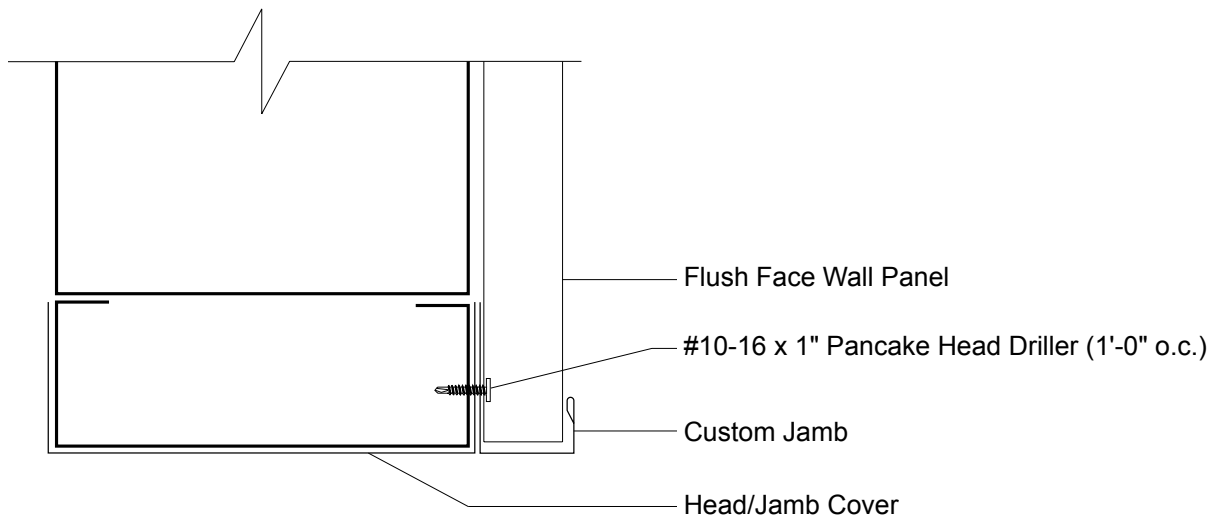
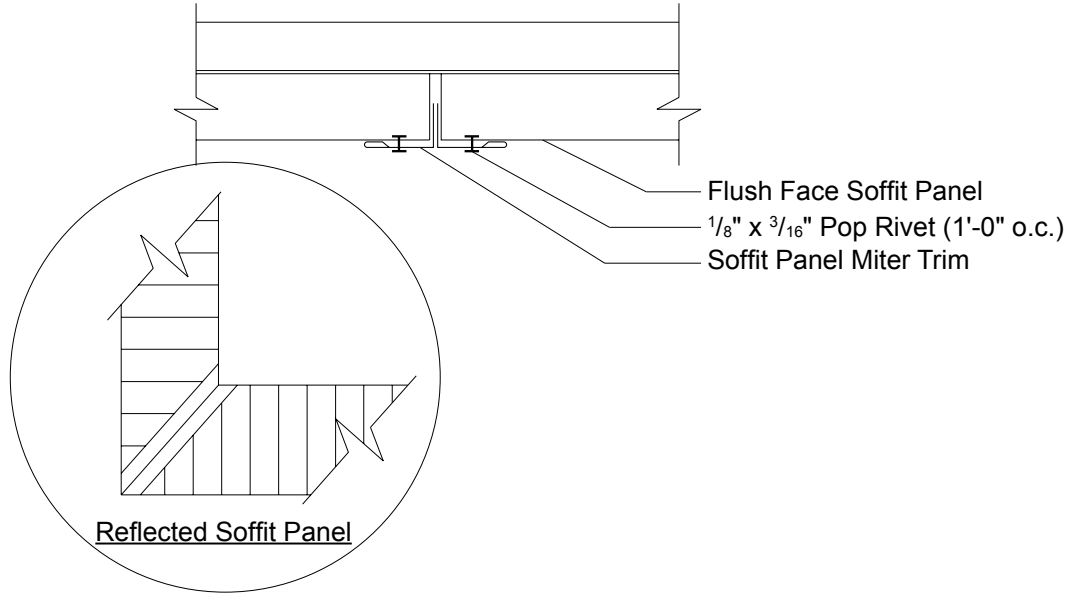


**FLUSH FACE / INTERIOR LINER SERIES SILL TO SOFFIT DETAIL**

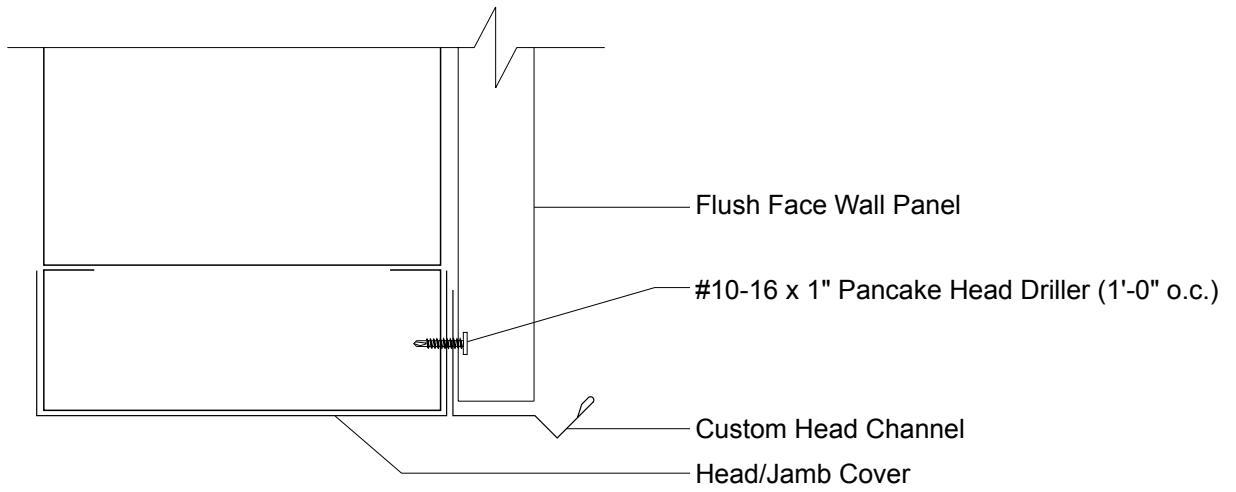


**FLUSH FACE / INTERIOR LINER SERIES SOFFIT JAMB DETAIL**





**FLUSH FACE / INTERIOR LINER SERIES HEAD DETAIL**



**FLUSH FACE / INTERIOR LINER SERIES BASE DETAIL**

