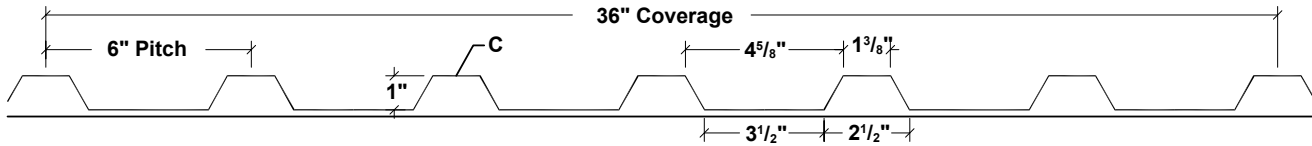
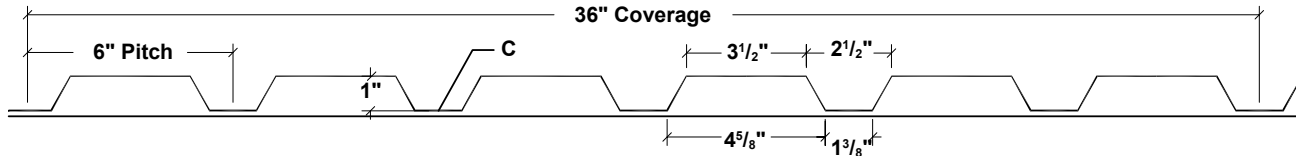


Product	Page No.	Product	Page No.
Panel Information		Detail Conditions	
T3 Panel Profiles	PEF-2	Eave Detail	PEF-14
T3 Panel Overview	PEF-2	Box Gutter Detail	PEF-14
T6-A Panel Profiles	PEF-3	Valley Detail	PEF-15
T6-A Panel Overview	PEF-3	Rake Detail	PEF-15
T11-A Panel Profiles	PEF-4	Rakewall Detail	PEF-16
T11-A Panel Overview	PEF-4	Endwall Detail	PEF-16
Flashing Profiles		Peak Detail	PEF-17
Custom Eave	PEF-5	Universal Ridge Detail	PEF-17
Cleat	PEF-5	Coping Detail (vertical)	PEF-18
Custom Soffit Cleat	PEF-5	Coping Detail (horizontal)	PEF-18
Custom Box Gutter	PEF-5	Outside Corner Detail (vertical)	PEF-19
Box Gutter End	PEF-5	Outside Corner Detail (horizontal) (+ option)	PEF-19
Universal Gutter/Downspout Strap	PEF-5	Inside Corner Detail (vertical)	PEF-20
Downspout	PEF-5	Inside Corner Detail (horizontal) (+ option)	PEF-20
95° Elbow	PEF-5	Sill/Head Detail (vertical)	PEF-21
Downspout Bracket	PEF-5	Sill/Head Detail (horizontal)	PEF-21
Valley	PEF-5	Sill to Soffit Detail (vertical) (+ option)	PEF-22
Custom Rake	PEF-5	Sill to Soffit Detail (horizontal) (+ option)	PEF-22
Rakewall	PEF-5	Jamb Detail (vertical)	PEF-23
Pitch Break	PEF-5	Jamb Detail (horizontal)	PEF-23
Custom Peak	PEF-5	Head Channel Detail (vertical)	PEF-24
Universal Ridge Cover	PEF-5	Head Channel Detail (horizontal)	PEF-24
Coping	PEF-6	Base Detail (vertical)	PEF-25
Custom Outside Corner	PEF-6	Base Detail (horizontal)	PEF-25
Inside Corner	PEF-6	Notes	
Custom Sill/Head	PEF-6	Notes	PEF-26
Custom Sill to Soffit	PEF-6		
Custom Jamb	PEF-6		
Head/Jamb Cover	PEF-6		
Custom Head Channel	PEF-6		
Custom Base	PEF-6		
Accessory Profiles			
Universal Closure	PEF-7		
Tape Sealant	PEF-7		
Rubber Roof Jack	PEF-7		
Retro Roof Jack	PEF-7		
Rubber Roof Flashing Kit	PEF-7		
Touch-Up Paint	PEF-7		
Testing Information			
Section Properties and Load Tables	PEF-8 thru 10		
Design/Installation Considerations			
Fastener Installation Technique	PEF-11		
Condition of Substructure	PEF-11		
Fastening Patterns	PEF-12, 13		

T3 ROOF PANEL PROFILE



T3 WALL PANEL PROFILE



SLOPE

The minimum recommended slope for any T3 panel is 1:12. Metal Sales recommends that in all roof applications, sealant be used on sidelaps.

SUBSTRATE

T3 panel is designed to be utilized over open structural framing, but can easily be used with a solid substrate. The recommended substrate is 5/8" plywood with a 30 pound felt moisture barrier. To avoid panel distortion, use a properly aligned and uniform substructure.

COVERAGE

Each panel has a coverage of 36".

LENGTH

Lengths under 5'-0" are available with some cutting restrictions. The maximum panel length is 31'-0", except for 18 gauge panels which is 28'-0" max (see PGI-2 and PGI-3 for locations).

AVAILABILITY

Panels are available in 24 through 18 gauge. Minimum quantities may apply. Custom capabilities include:
-Perforated panels for wind screens and liner panels.

APPLICATION

Commercial and Industrial panels

FASTENING SYSTEM

Direct Fastened (exposed)

FASTENERS

The fastener selection guide should be consulted for choosing proper fasteners for specific applications. Quantity and type of fastener must meet necessary loading and code requirements (see PGI-12 through PG-14).

MATERIALS

24 and 22 gauge: Steel Grade 50, AZ50 or AZ55 per ASTM A 792
20 and 18 gauge: Steel Grade 33, G90 per ASTM A 653
Optional material: stainless steel, copper and aluminum

FINISH

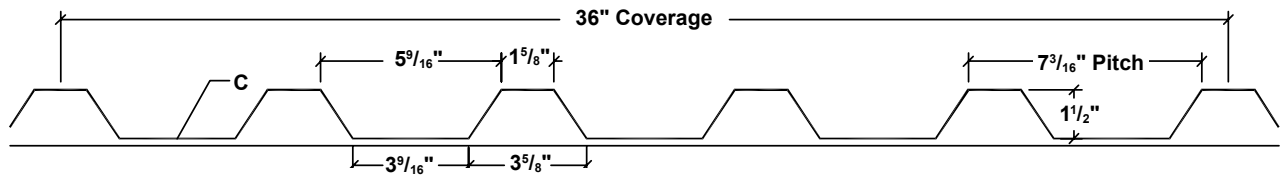
- ▶ *Acrylic Coated Galvalume® (ACG): AZ55 per ASTM A 792
- ▶ Prepainted Galvalume®: AZ50 per ASTM A 792
- ▶ MS Colorfast45®
- ▶ **PVDF
- ▶ Multi-Pass Kynar 500®
- ▶ Marbilique
- ▶ Plastisol
- ▶ Polyester

* Differential appearance of Acrylic Coated Galvalume® roofing materials is not a cause for rejection.

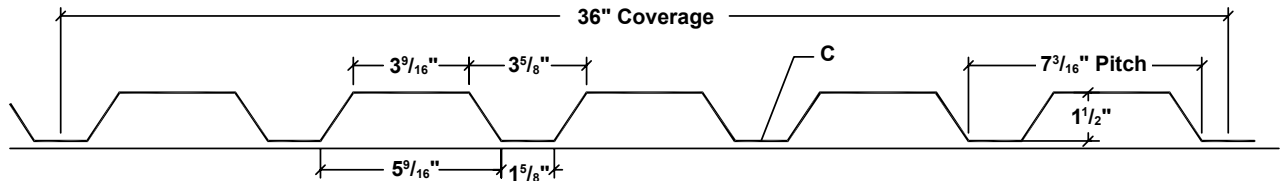
** Meets both Kynar 500® and Hylar 5000® specifications.

EXPOSED FASTENED PANEL SERIES T6-A PANEL OVERVIEW

T6-A ROOF PANEL PROFILE



T6-A WALL PANEL PROFILE



SLOPE

The minimum recommended slope for any T6-A panel is 1:12. Metal Sales recommends that in all roof applications, sealant be used on sidelaps.

SUBSTRATE

T6-A panel is designed to be utilized over open structural framing, but can easily be used with a solid substrate. The recommended substrate is $\frac{5}{8}$ " plywood with a 30 pound felt moisture barrier. To avoid panel distortion, use a properly aligned and uniform substructure.

COVERAGE

Each panel has a coverage of 36".

LENGTH

Lengths under 5'-0" are available with some cutting restrictions. The maximum panel length is 31'-0", except for 18 gauge panels which is 26'-0" max (see PGI-2 and PGI-3 for locations).

AVAILABILITY

Panels are available in 24 through 18 gauge. Minimum quantities may apply. Custom capabilities include:
-Perforated panels for wind screens and liner panels.

APPLICATION

Commercial and Industrial panels

FASTENING SYSTEM

Direct Fastened (exposed)

FASTENERS

The fastener selection guide should be consulted for choosing proper fasteners for specific applications. Quantity and type of fastener must meet necessary loading and code requirements (see PGI-12 through PGI-14).

MATERIALS

24 and 22 gauge: Steel Grade 50, AZ50 or AZ55 per ASTM A 792
20 and 18 gauge: Steel Grade 33, G90 per ASTM A 653
Optional material: stainless steel, copper and aluminum

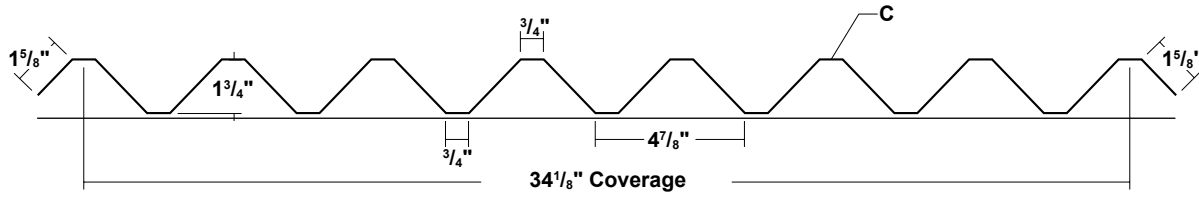
FINISH

- ▶ *Acrylic Coated Galvalume® (ACG): AZ55 per ASTM A 792
- ▶ Prepainted Galvalume®: AZ50 per ASTM A 792
- ▶ MS Colorfast45®
- ▶ **PVDF
- ▶ Multi-Pass Kynar 500®
- ▶ Marbilique
- ▶ Plastisol
- ▶ Polyester

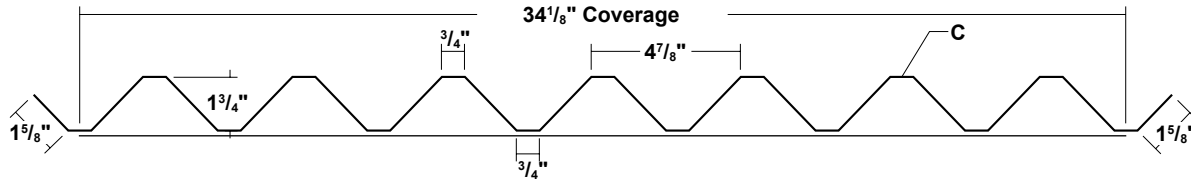
* Differential appearance of Acrylic Coated Galvalume® roofing materials is not a cause for rejection.

** Meets both Kynar 500® and Hylar 5000® specifications.

T11-A ROOF PANEL PROFILE



T11-A WALL PANEL PROFILE



SLOPE

The minimum recommended slope for T11-A panel is 1:12. Metal Sales recommends that in all roof applications, sealant be used on sidelaps.

SUBSTRATE

T11-A panel is designed to be utilized over open structural framing, but can easily be used with a solid substrate. The recommended substrate is 5/8" plywood with a 30 pound felt moisture barrier. To avoid panel distortion, use a properly aligned and uniform substructure.

COVERAGE

Each panel has a coverage of 34 1/8".

LENGTH

Lengths under 5'-0" are available with some cutting restrictions. The maximum panel length is 30'-0" except for 18 gauge which is 26'-0" max (see PGI-2 and PGI-3 for locations).

AVAILABILITY

Panels are available in 24 through 18 gauge. Minimum quantities may apply. Custom capabilities include:
-Perforated panels for wind screens and liner panels.

APPLICATION

Commercial and Industrial Panels

FASTENING SYSTEM

Direct Fastened (exposed)

FASTENERS

The fastener selection guide should be consulted for choosing proper fasteners for specific applications. Quantity and type of fastener must meet necessary loading and code requirements (see PGI-12 through PG-14).

MATERIALS

24 and 22 gauge: Steel Grade 50, AZ50 or AZ55 per ASTM A 792
20 and 18 gauge: Steel Grade 33, G90 per ASTM A 653
Optional material: stainless steel, copper and aluminum

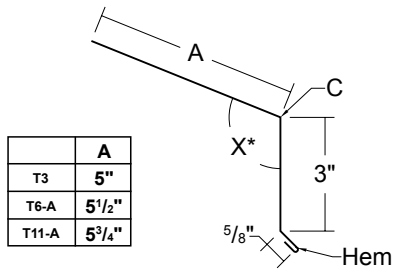
FINISH

- ▶ *Acrylic Coated Galvalume® (ACG): AZ55 per ASTM A 792
- ▶ Prepainted Galvalume®: AZ50 per ASTM A 792
- ▶ MS Colorfast45®
- ▶ **PVDF
- ▶ Multi-Pass Kynar 500®
- ▶ Marbilique
- ▶ Plastisol
- ▶ Polyester

* Differential appearance of Acrylic Coated Galvalume® roofing materials is not a cause for rejection.

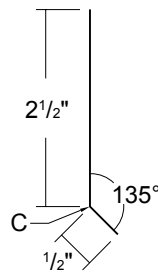
** Meets both Kynar 500® and Hylar 5000® specifications.

CUSTOM EAVE



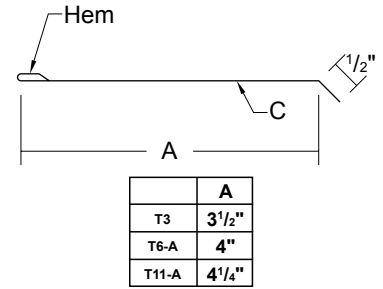
Length 10'-2" - *Specify Slope Angle

CLEAT



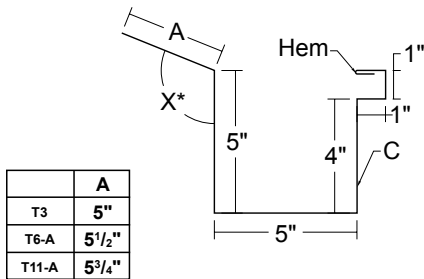
Length 10'-2"

CUSTOM SOFFIT CLEAT



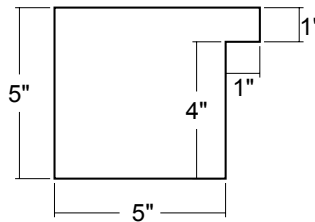
Length 10'-2"

CUSTOM BOX GUTTER

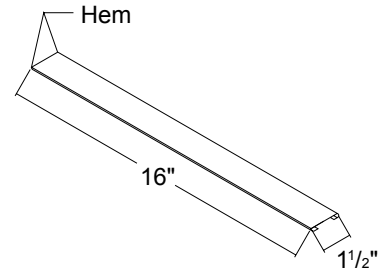


Length 10'-2" - *Specify Slope Angle

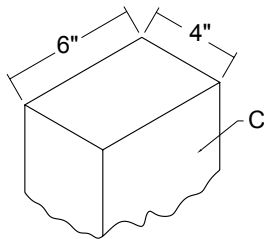
BOX GUTTER END (RIGHT AND LEFT)



UNIVERSAL GUTTER/ DOWNSPOUT BRACKET

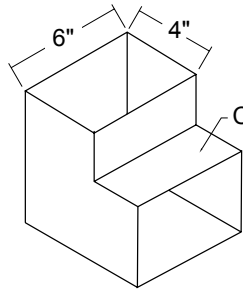


6" x 4" DOWNSPOUT



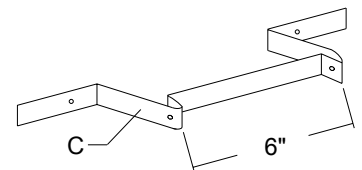
Length 10'-0"
(4" x 3 1/2" is also available)

6" x 4" 95° ELBOW



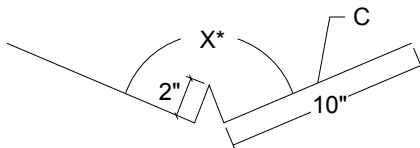
(4" x 3 1/2" is also available)

DOWNSPOUT BRACKET



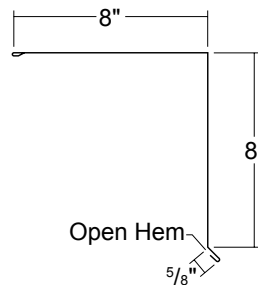
(4" is also available)

VALLEY



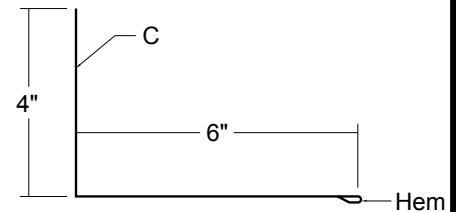
Length 10'-0" - *Specify Slope Angle

CUSTOM RAKE



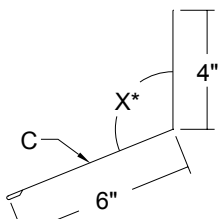
Length 10'-2"

RAKEWALL



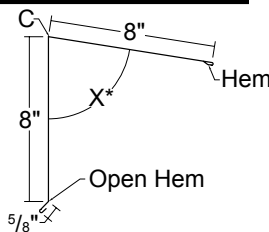
Length 10'-2"

PITCH BREAK



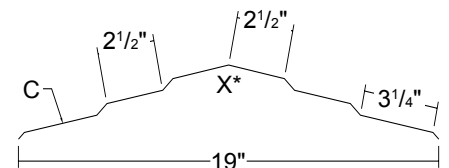
Length 10'-0" - *Specify Slope Angle

CUSTOM PEAK



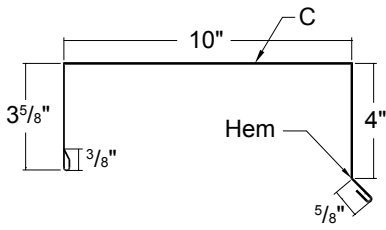
Length 10'-0" - *Specify Slope Angle

UNIVERSAL RIDGE COVER



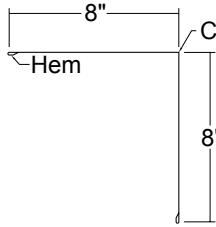
Length 10'-0" - *Specify Slope Angle

COPING



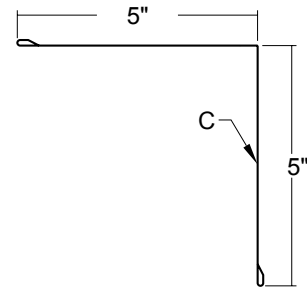
Length 10'-0"

CUSTOM OUTSIDE CORNER



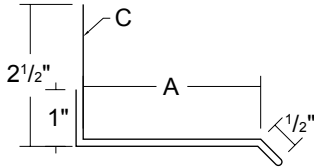
Length 10'-0"

INSIDE CORNER



Length 10'-0"

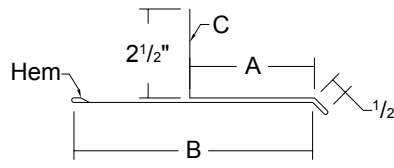
CUSTOM SILL/HEAD



	A
T3	1 1/4"
T6-A	1 3/4"
T11-A	2"

Length 10'-0"

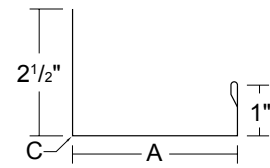
CUSTOM SILL TO SOFFIT



	A	B
T3	1 1/4"	3 1/2"
T6-A	1 3/4"	4"
T11-A	2"	4 1/4"

Length 10'-0"

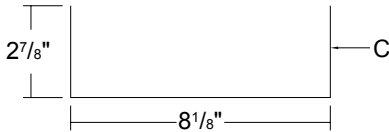
CUSTOM JAMB



	A
T3	1 1/4"
T6-A	1 3/4"
T11-A	2"

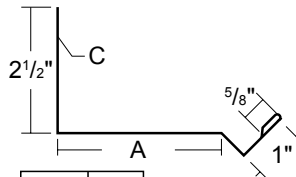
Length 10'-0"

HEAD/JAMB COVER



Length 10'-0"

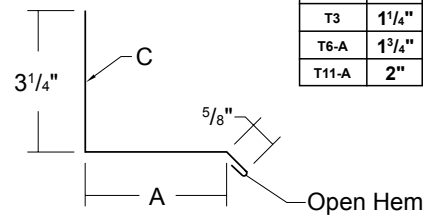
CUSTOM HEAD CHANNEL



	A
T3	1"
T6-A	1 1/2"
T11-A	1 3/4"

Length 10'-0"

CUSTOM BASE

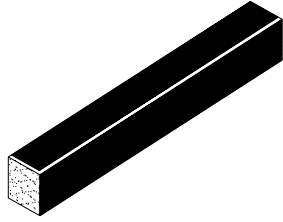


	A
T3	1 1/4"
T6-A	1 3/4"
T11-A	2"

Length 10'-0"

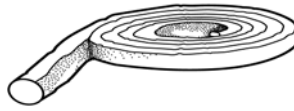
C- Indicates color side of flashing.

UNIVERSAL CLOSURE



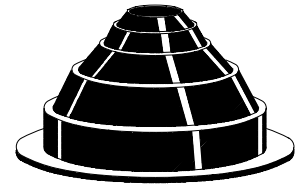
1" x 1 1/2" x 50' Polyethylene Foam
1" x 1 1/2" x 10' Polyethylene Foam

TAPE SEALANT



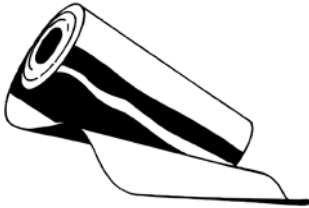
3/8" X 3/32" X 50'
Single Bead Tape Sealant
Butyl - Gray

RUBBER ROOF JACK



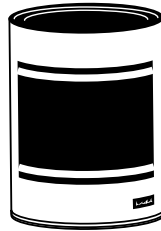
Mini (1/4" to 1 1/8" O.D. Pipe)
#2 (1 3/4" to 3" O.D. Pipe)
#4 (3" to 6" O.D. Pipe)
#6 (6" to 9" O.D. Pipe)
#8 (7" to 13" O.D. Pipe)

RUBBER ROOF FLASH KIT



12" x 50'-0" Flash Kit
18" x 50'-0" Flash Kit

TOUCH-UP PAINT



Available in 2 oz Bottles
PVDF / MS Colorfast45®

T3 CLOSURE



Polyethylene Foam

T6-A CLOSURE



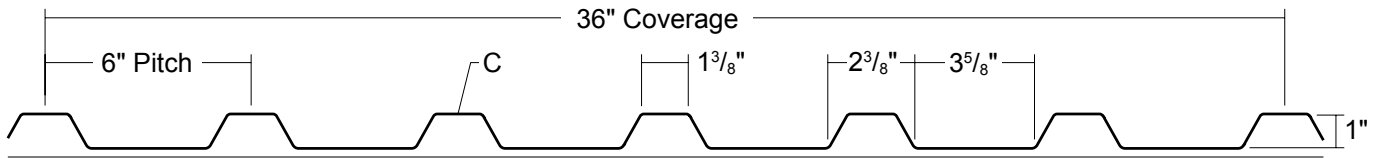
Polyethylene Foam

T11-A CLOSURE



Polyethylene Foam

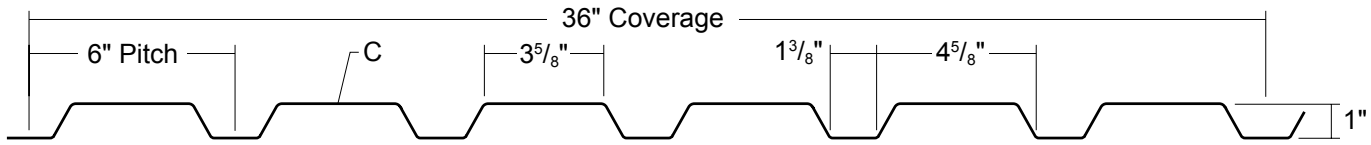
ROOF PANEL PROFILE



SECTION PROPERTIES								ALLOWABLE UNIFORM LOADS psf (3 or More Equal Spans)											
Ga	Width in	Yield ksi	Weight psf	Top in Compression		Bottom in Compression		Inward Load						Outward Load					
				Ixx in ⁴ /ft	Sxx in ³ /ft	Ixx in ⁴ /ft	Sxx in ³ /ft	4'	5'	6'	7'	8'	10'	4'	5'	6'	7'	8'	10'
24	36	50	1.13	0.0508	0.0756	0.0375	0.0680	98	63	44	29	19	10	108	70	45	29	19	10
22	36	50	1.48	0.0706	0.1075	0.0533	0.1018	146	94	59	37	25	13	153	99	59	37	25	13
20	36	33	1.81	0.0922	0.1448	0.0758	0.1379	130	84	58	43	30	15	136	88	61	45	30	15
18	36	33	2.38	0.1201	0.1882	0.1098	0.1838	172	111	78	57	39	20	176	114	80	59	39	20

- Theoretical section properties have been calculated per AISI 2012 "Specifications for the Design of Cold-formed Steel Structural Members." Ixx and Sxx are effective section properties for deflection and bending.
- Allowable load is calculated in accordance with AISI 2012 specifications considering bending, shear, combined bending and shear and deflection. Allowable load considers the 3 or more equal span condition. Allowable load does not address web crippling, fasteners/support connection or load testing. Panel weight is not considered.
- Deflection consideration is limited by a maximum deflection ratio of L/180 of span.
- Allowable loads do not include a 1/3 stress increase in uplift.

WALL PANEL PROFILE

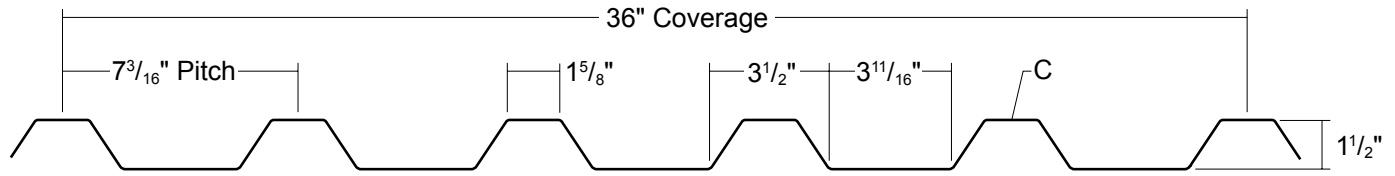


SECTION PROPERTIES								ALLOWABLE UNIFORM LOADS psf (3 or More Equal Spans)											
Ga	Width in	Yield ksi	Weight psf	Top in Compression		Bottom in Compression		Inward Load						Outward Load					
				Ixx in ⁴ /ft	Sxx in ³ /ft	Ixx in ⁴ /ft	Sxx in ³ /ft	4'	5'	6'	7'	8'	10'	4'	5'	6'	7'	8'	10'
24	36	50	1.13	0.0370	0.0682	0.0485	0.0710	102	66	45	28	19	10	98	63	44	28	19	10
22	36	50	1.47	0.0525	0.1019	0.0681	0.1025	146	94	58	36	24	12	146	94	58	36	24	12
20	36	33	1.80	0.0749	0.1339	0.0879	0.1352	127	82	57	42	30	15	126	81	57	42	30	15
18	36	33	2.37	0.1083	0.1785	0.1153	0.1773	167	108	75	55	38	20	168	108	76	56	38	20

- Theoretical section properties have been calculated per AISI 2012 "Specifications for the Design of Cold-formed Steel Structural Members." Ixx and Sxx are effective section properties for deflection and bending.
- Allowable load is calculated in accordance with AISI 2012 specifications considering bending, shear, combined bending and shear and deflection. Allowable load considers the 3 or more equal span condition. Allowable load does not address web crippling, fasteners/support connection or load testing. Panel weight is not considered.
- Deflection consideration is limited by a maximum deflection ratio of L/180 of span.
- Allowable loads do not include a 1/3 stress increase in uplift.

EXPOSED FASTENED PANEL SERIES T6-A SECTION PROPERTIES

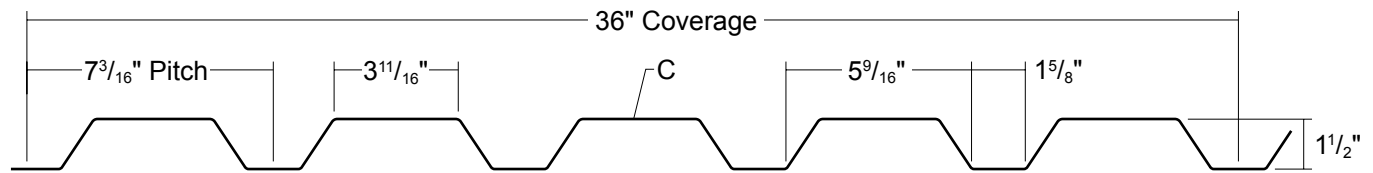
ROOF PANEL PROFILE



SECTION PROPERTIES								ALLOWABLE UNIFORM LOADS psf (3 or More Equal Spans)											
Ga	Width in	Yield ksi	Weight psf	Top in Compression		Bottom in Compression		Inward Load						Outward Load					
				Ixx in ⁴ /ft	Sxx in ³ /ft	Ixx in ⁴ /ft	Sxx in ³ /ft	5'	6'	7'	8'	10'	12'	5'	6'	7'	8'	10'	12'
24	36	50	1.21	0.1141	0.1203	0.0870	0.1019	93	65	48	37	23	13	110	77	57	43	23	13
22	36	50	1.59	0.1597	0.1727	0.1237	0.1512	139	97	72	55	30	17	158	111	82	58	30	17
20	36	33	1.95	0.2139	0.2407	0.1703	0.2231	135	94	69	53	34	21	145	101	75	57	36	21
18	36	33	2.57	0.2822	0.3177	0.2471	0.3041	183	128	95	73	47	27	191	134	99	76	47	27

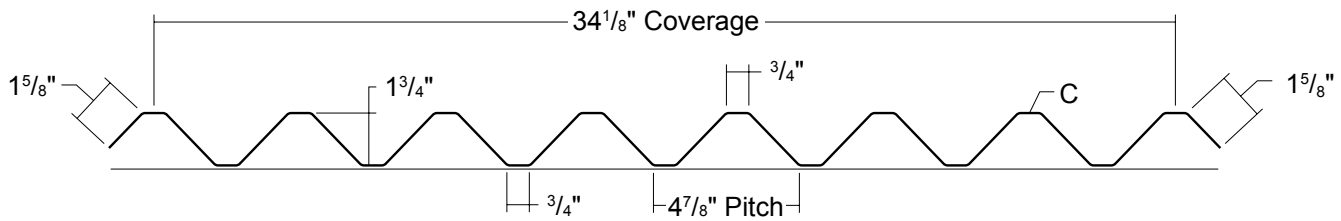
- Theoretical section properties have been calculated per AISI 2012 "Specifications for the Design of Cold-formed Steel Structural Members." Ixx and Sxx are effective section properties for deflection and bending.
- Allowable load is calculated in accordance with AISI 2012 specifications considering bending, shear, combined bending and shear and deflection. Allowable load considers the 3 or more equal span condition. Allowable load does not address web crippling, fasteners/support connection or load testing. Panel weight is not considered.
- Deflection consideration is limited by a maximum deflection ratio of L/180 of span.
- Allowable loads do not include a 1/3 stress increase in uplift.

WALL PANEL PROFILE



SECTION PROPERTIES								ALLOWABLE UNIFORM LOADS psf (3 or More Equal Spans)											
Ga	Width in	Yield ksi	Weight psf	Top in Compression		Bottom in Compression		Inward Load						Outward Load					
				Ixx in ⁴ /ft	Sxx in ³ /ft	Ixx in ⁴ /ft	Sxx in ³ /ft	5'	6'	7'	8'	10'	12'	5'	6'	7'	8'	10'	12'
24	36	50	1.18	0.0858	0.1014	0.1075	0.1103	101	70	52	40	22	13	93	65	48	37	22	13
22	36	50	1.54	0.1215	0.1498	0.1506	0.1584	146	102	75	57	29	17	138	96	71	54	29	17
20	36	33	1.89	0.1678	0.2191	0.2024	0.2214	134	93	69	53	34	20	132	92	68	52	34	20
18	36	33	2.49	0.2438	0.2959	0.2691	0.2954	176	125	92	71	45	27	178	125	92	71	45	27

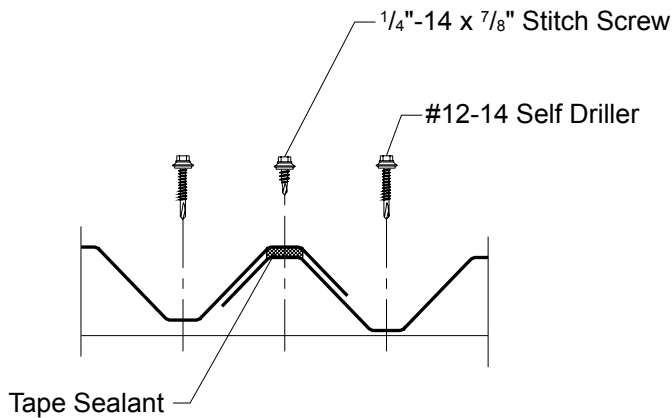
- Theoretical section properties have been calculated per AISI 2012 "Specifications for the Design of Cold-formed Steel Structural Members." Ixx and Sxx are effective section properties for deflection and bending.
- Allowable load is calculated in accordance with AISI 2012 specifications considering bending, shear, combined bending and shear and deflection. Allowable load considers the 3 or more equal span condition. Allowable load does not address web crippling, fasteners/support connection or load testing. Panel weight is not considered.
- Deflection consideration is limited by a maximum deflection ratio of L/180 of span.
- Allowable loads do not include a 1/3 stress increase in uplift.



SECTION PROPERTIES								ALLOWABLE UNIFORM LOADS psf (3 or More Equal Spans)											
Ga	Width in	Yield ksi	Weight psf	Top in Compression		Bottom in Compression		Inward Load						Outward Load					
				Ixx in ⁴ /ft	Sxx in ³ /ft	Ixx in ⁴ /ft	Sxx in ³ /ft	5'	6'	7'	8'	10'	12'	5'	6'	7'	8'	10'	12'
24	34.125	50	1.28	0.1359	0.1481	0.1361	0.1488	135	94	66	45	23	13	134	94	66	45	23	13
22	34.125	50	1.68	0.1778	0.1936	0.1780	0.1939	179	125	87	58	30	17	179	124	87	58	30	17
20	34.125	33	2.05	0.2169	0.2359	0.2169	0.2359	144	101	74	57	36	21	144	101	74	57	36	21
18	34.125	33	2.71	0.2846	0.3081	0.2846	0.3081	189	131	97	74	47	28	189	131	97	74	47	28

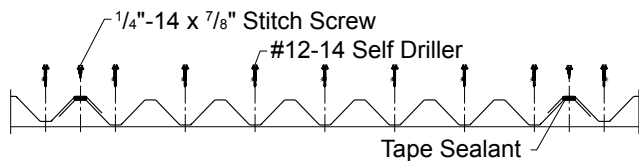
- Theoretical section properties have been calculated per AISI 2012 "Specifications for the Design of Cold-formed Steel Structural Members." Ixx and Sxx are effective section properties for deflection and bending.
- Allowable load is calculated in accordance with AISI 2012 specifications considering bending, shear, combined bending and shear and deflection. Allowable load considers the 3 or more equal span condition. Allowable load does not address web crippling, fasteners/support connection or load testing. Panel weight is not considered.
- Deflection consideration is limited by a maximum deflection ratio of L/180 of span.
- Allowable loads do not include a 1/3 stress increase in uplift.

ATTACHMENT DETAIL

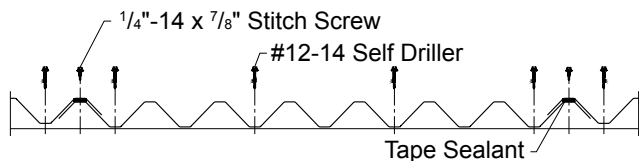


FASTENING PATTERN

Ends of Panel



Field of Panel



GENERAL INFORMATION

► **Substructure**

T11-A Panels are designed to be utilized over open structural framing or a solid substrate.

► **Coverage**

T11-A Panels are available in a 1 3/4 inch depth with a coverage width of 34 1/8 inch.

► **Length**

Minimum factory cut length is 5'-0".
Maximum panel length is 30'-0",
except 26'-0" for 18 ga panels.

► **Fasteners**

The fastener selection guide should be consulted for choosing the proper fastener for specific applications. Quantity and type of fastener must meet necessary loading and code requirements.

NOTE: All panels are subject to surface distortion due to improperly applied fasteners. Overdriven fasteners will cause stress and induce oil canning across the face of the panel at or near the point of attachment.


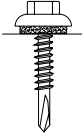
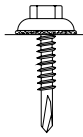
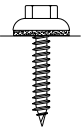
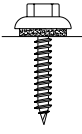
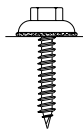
► **Availability**

Finishes: PVDF (Kynar 500®) standard; optional: multi-pass Kynar 500®, Marblique, Plastisol, Polyester and MS Colorfast45® (SMP)
Gauges: 24 ga, 22 ga, 20 ga and 18 ga

FASTENER INSTALLATION TECHNIQUE

Recommended Tool Type - Use depth locating nose or adjustable clutch on screw gun to prevent overdrilling and strip out. **Do not use impact tools or runners.**

Seating the washer - Apply sufficient torque to seat the washer - do not overdrive the fastener.

	CORRECT Sealing material slightly visible at edge of metal washer. Assembly is watertight.	TOO LOOSE Sealing material is not visible; not enough compression to seal properly.	TOO TIGHT Metal washer deformed; sealing material pressed beyond washer edge.
SELF DRILLER			
WOODSCREW			

To prevent wobbling - Make sure fastener head is completely engaged in the socket. If the head does not go all the way in the socket - tap the magnet deeper into the socket to allow full head engagement. Metal chips will build up from drilling and should be removed from time to time.

Protect drill point - Push only hard enough on the screw gun to engage clutch. This prevents excess friction and burn out of the drill point. Correct pressure will allow screw to drill and tap without binding.

Drilling through sheet and insulation - Ease up on pressure when drilling through insulation to avoid striking the purlin or girt with the point - apply more pressure after drill point contacts purlin or girt.

Drilling through purlin overlaps - Drilling through lapped purlins requires extra care. Excessive voids between purlins sometimes damages drill points and two self-drillers might be necessary to complete the operation. It is sometimes advantageous to predrill.

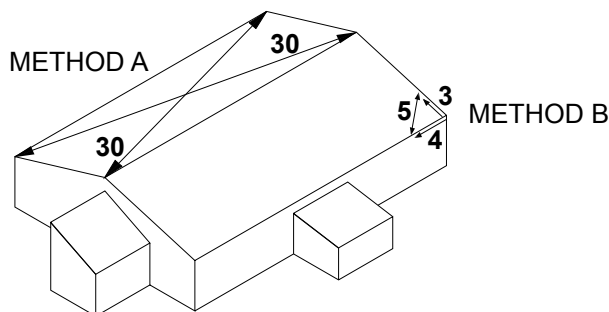
CONDITION OF SUBSTRUCTURE

Whether over solid substrate or open structural framing, panel distortion may occur if not applied over properly aligned and uniform substructure.

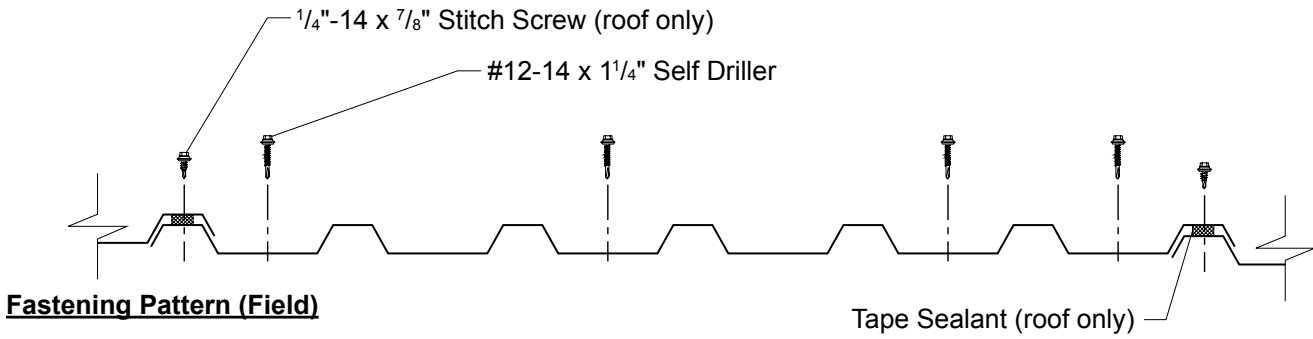
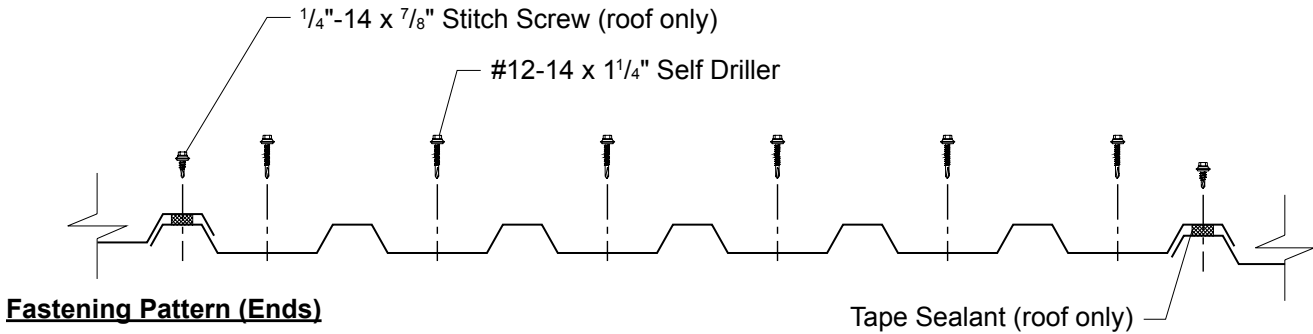
The installer should check the roof deck for squareness before installing Exposed Fastened panels. Several methods can be used to verify squareness of the structure for proper installation of the panels.

METHOD "A" - One method for checking the roof for squareness is to measure diagonally across one slope of the roof from similar points at the ridge and eave and obtain the same dimension.

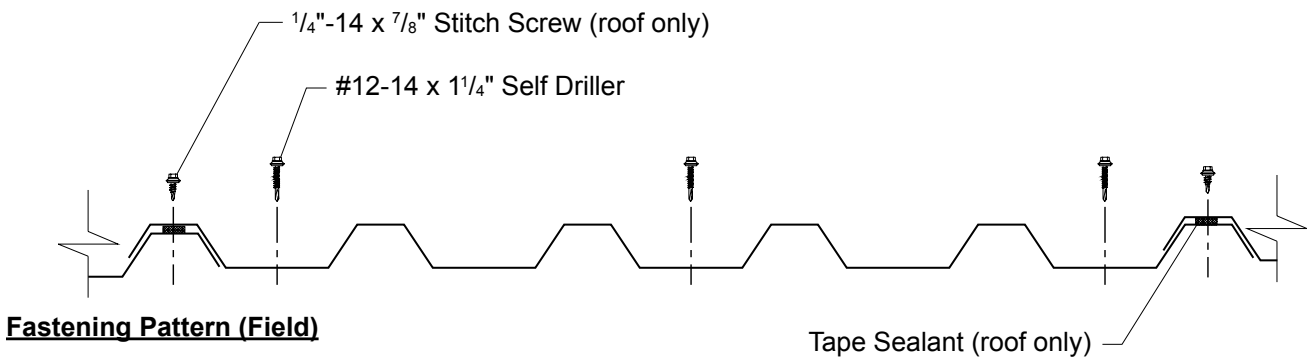
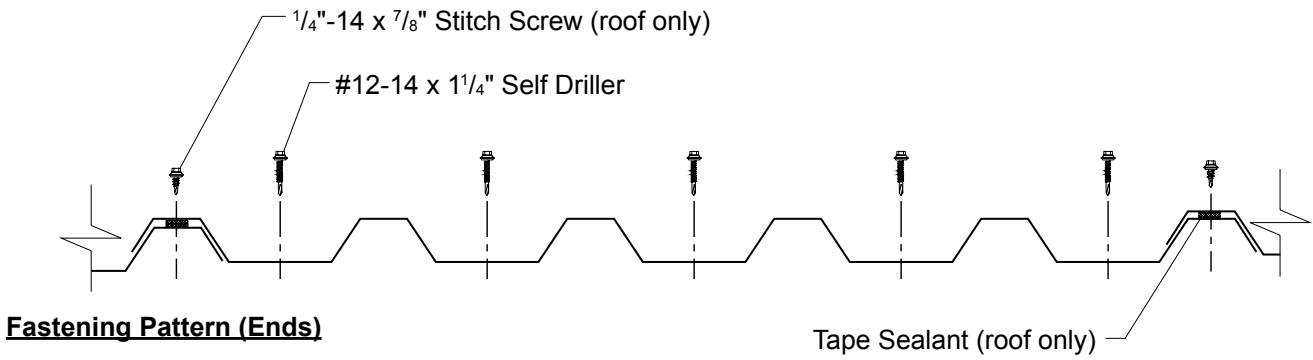
METHOD "B" - The 3-4-5 triangle system may also be used. To use this system measure a point from the corner along the edge of the roof at a module of three (3). Measure a point from the same corner along another edge at a module of four (4). Then by measuring diagonally between the two points established, the dimension should be exactly a module of five (5) to have a square corner. Multiple uses of this system may be required to determine building squareness. If the endwall cannot be made square, the roof system cannot be installed as shown in these instructions.



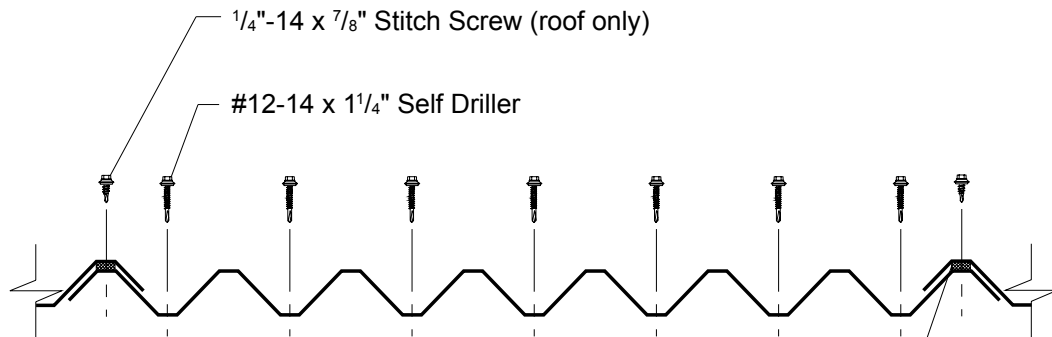
T3 Fastening Patterns



T6-A Fastening Patterns

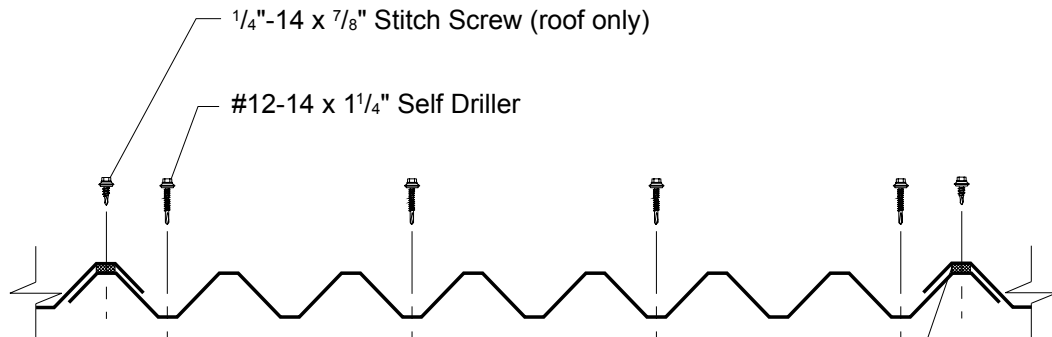


T11-A Roof Fastening Patterns



Fastening Pattern (Ends)

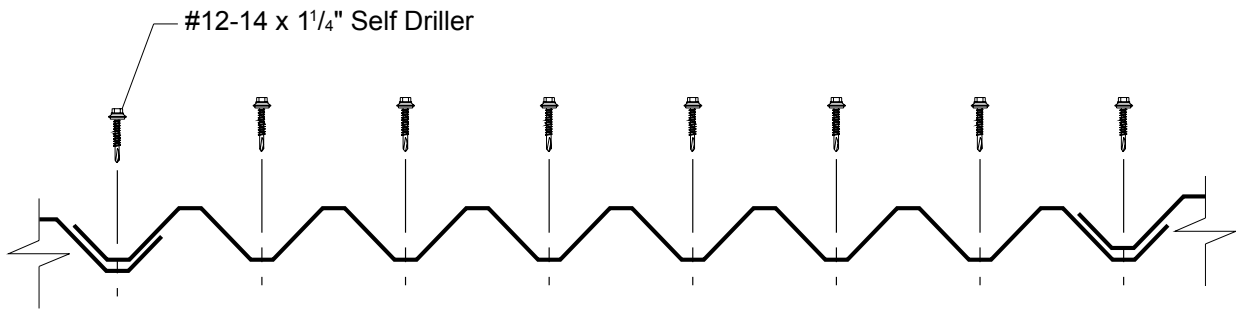
Tape Sealant (roof only)



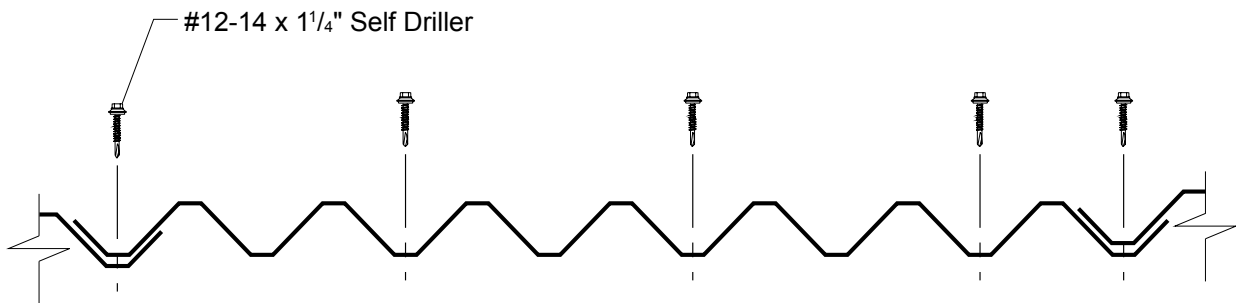
Fastening Pattern (Field)

Tape Sealant (roof only)

T11-A Wall Fastening Patterns



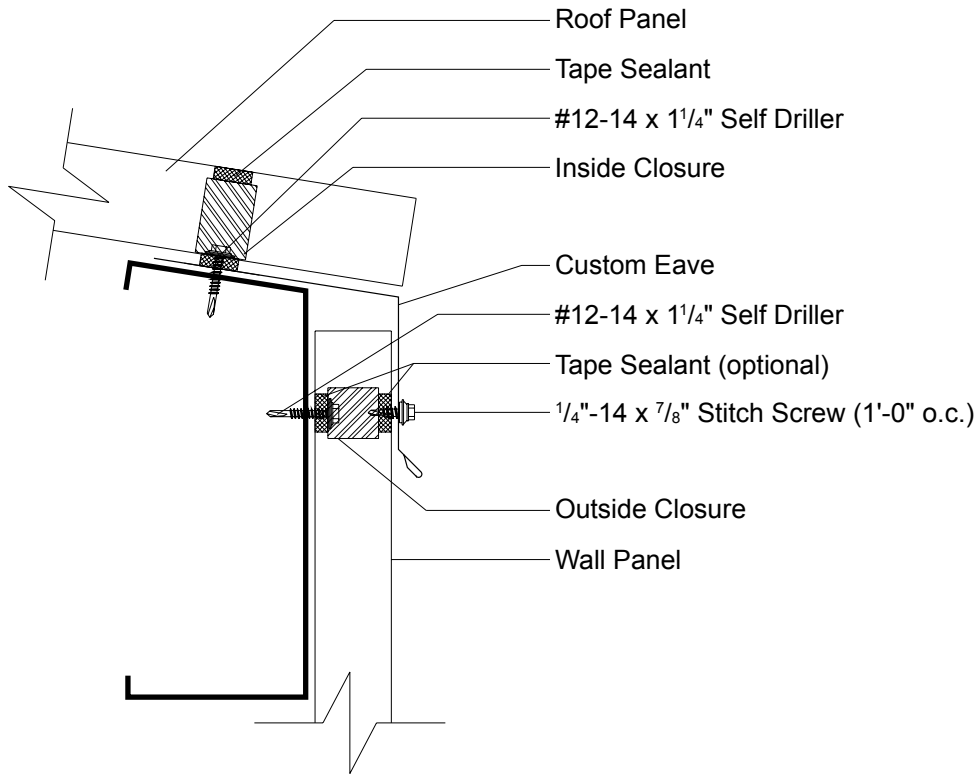
Fastening Pattern (Ends)



Fastening Pattern (Field)

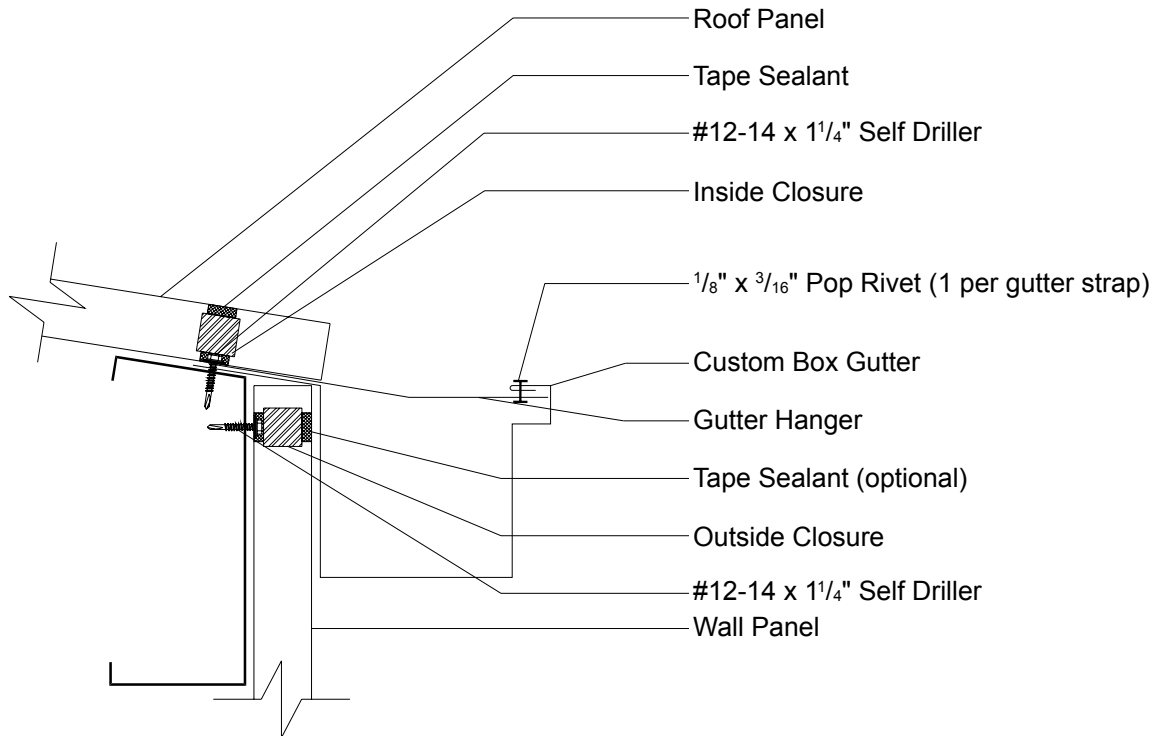
EXPOSED FASTENED PANEL SERIES

EAVE DETAIL

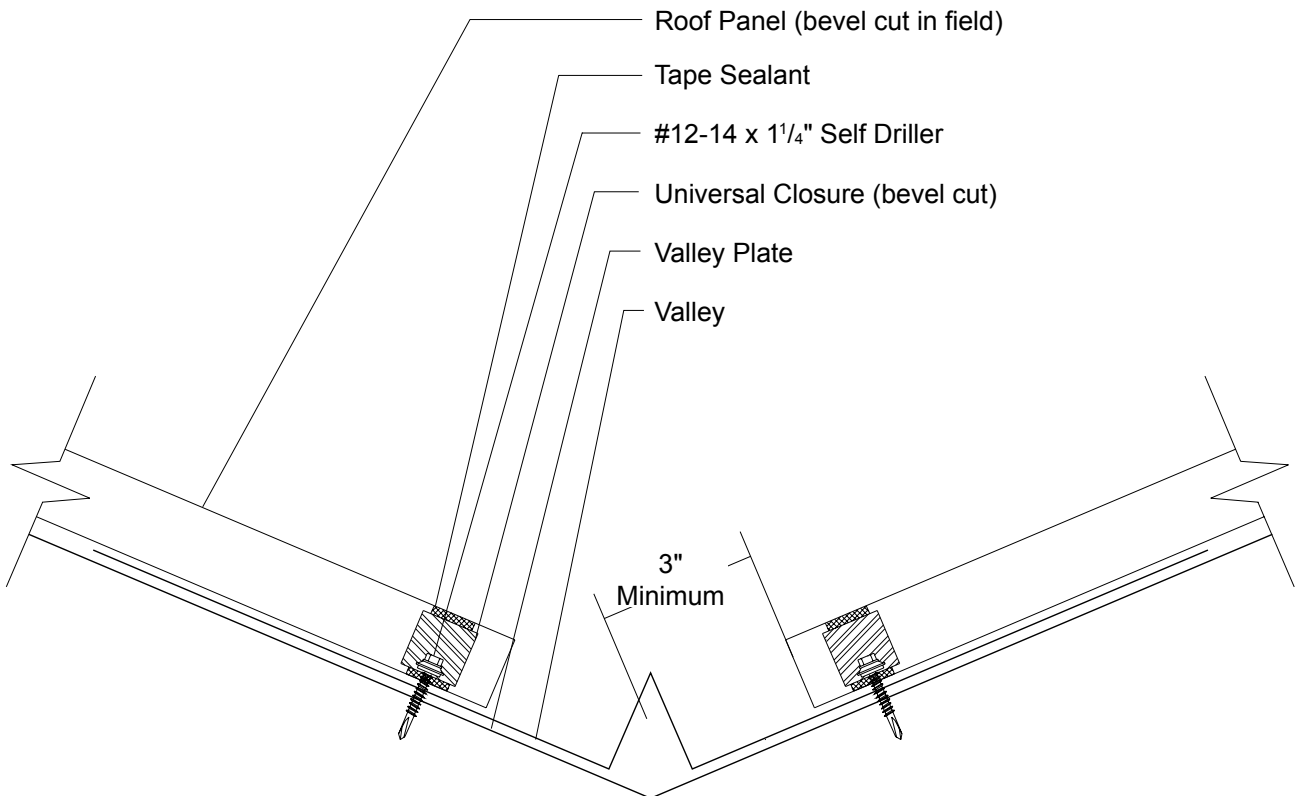


EXPOSED FASTENED PANEL SERIES

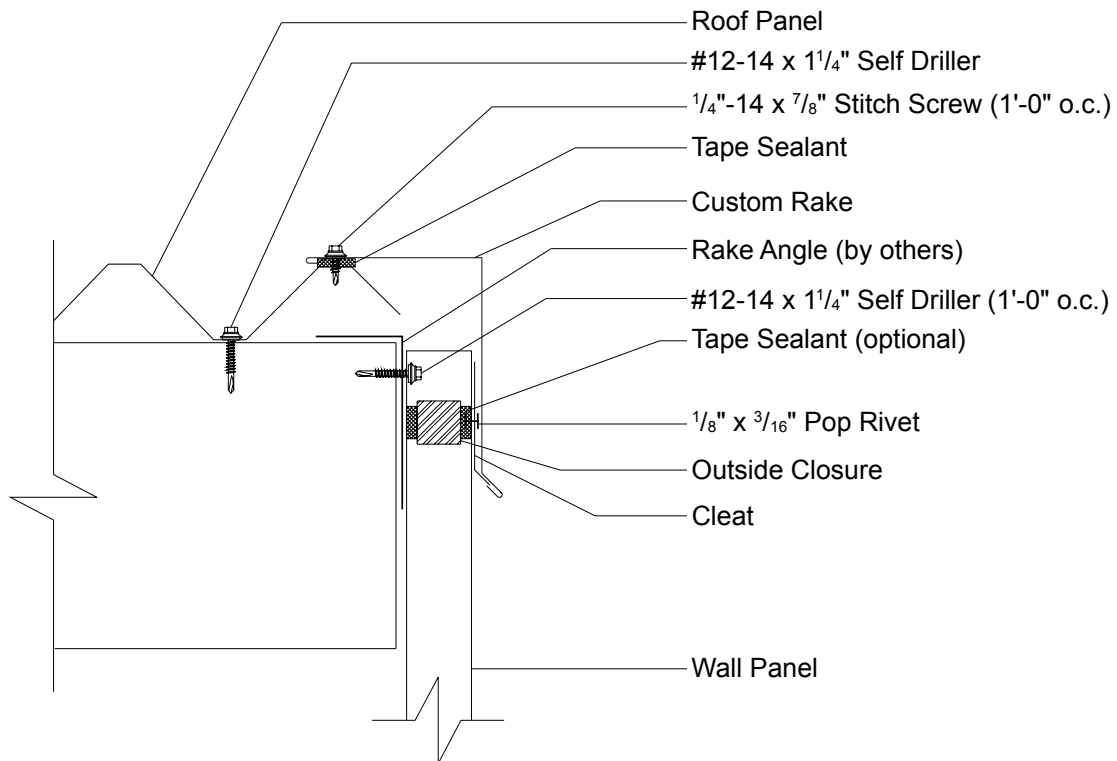
BOX GUTTER DETAIL

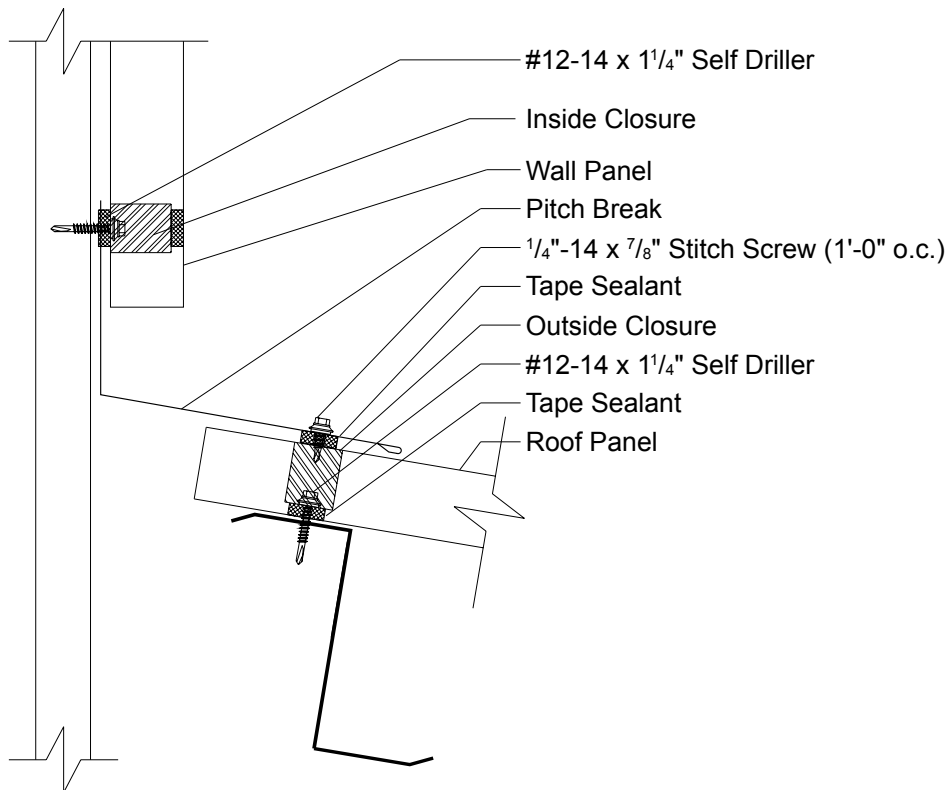
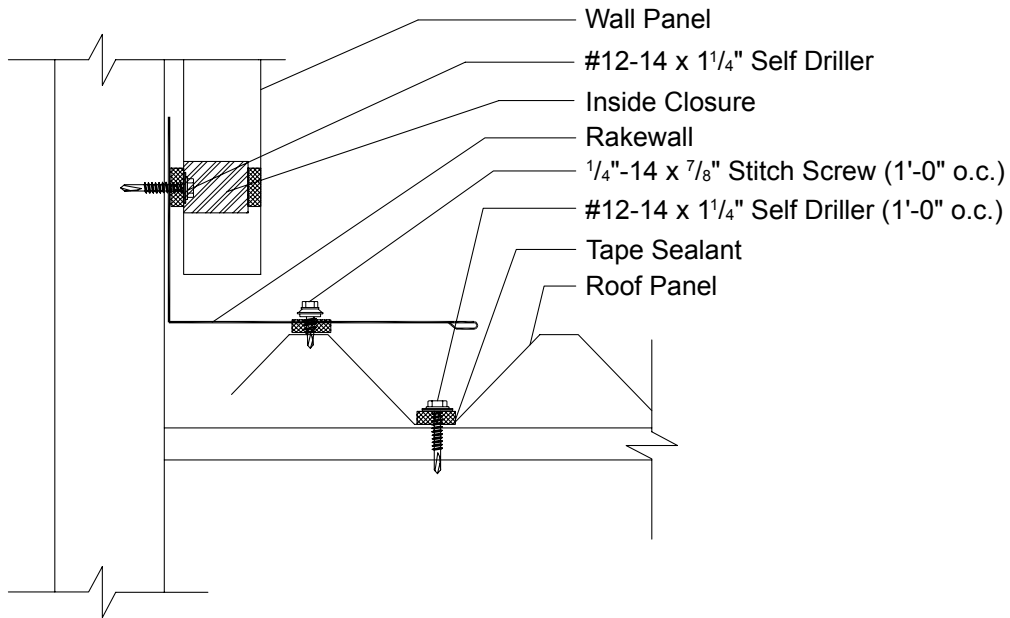


EXPOSED FASTENED PANEL SERIES VALLEY DETAIL

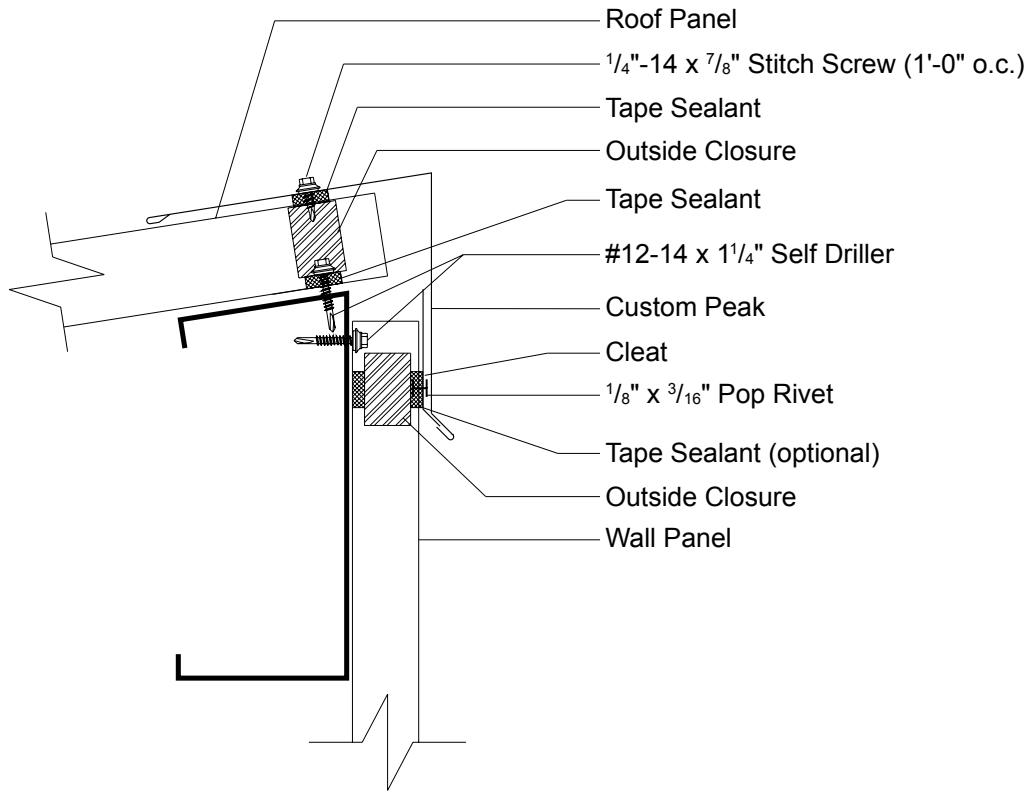


EXPOSED FASTENED PANEL SERIES RAKE DETAIL

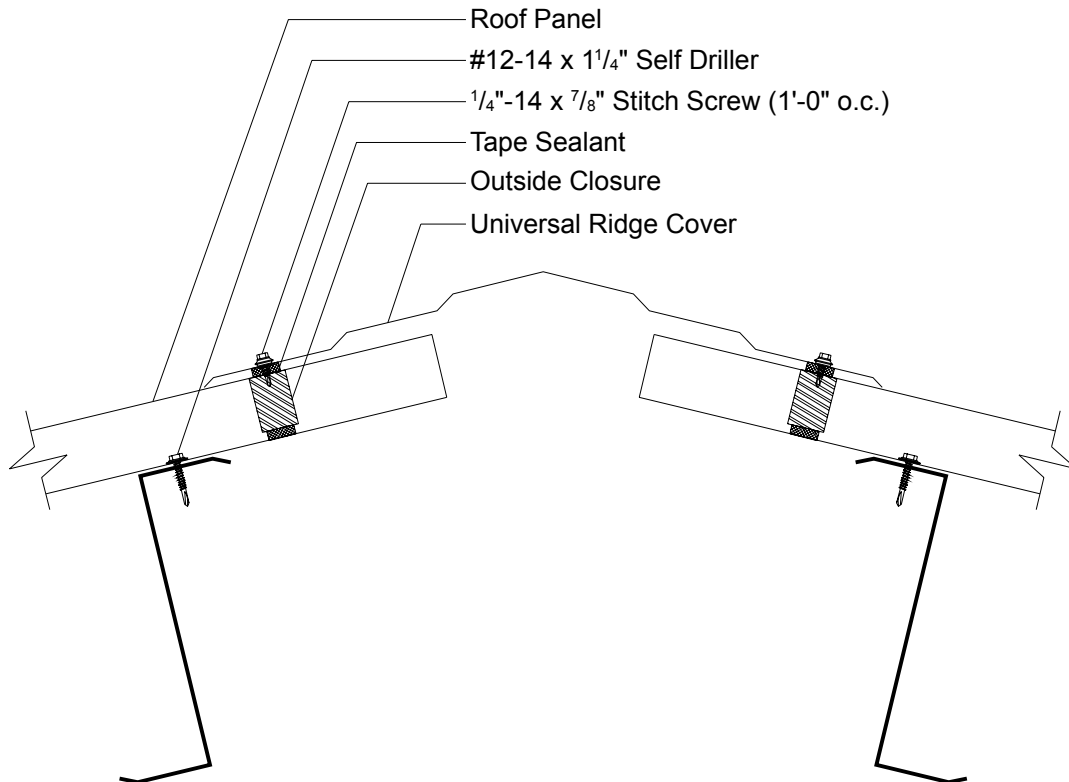


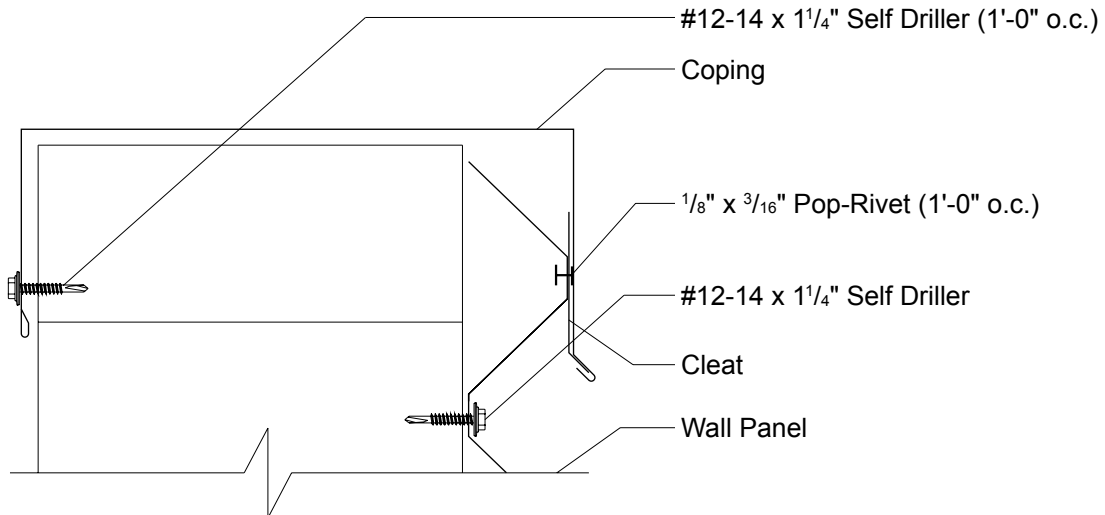
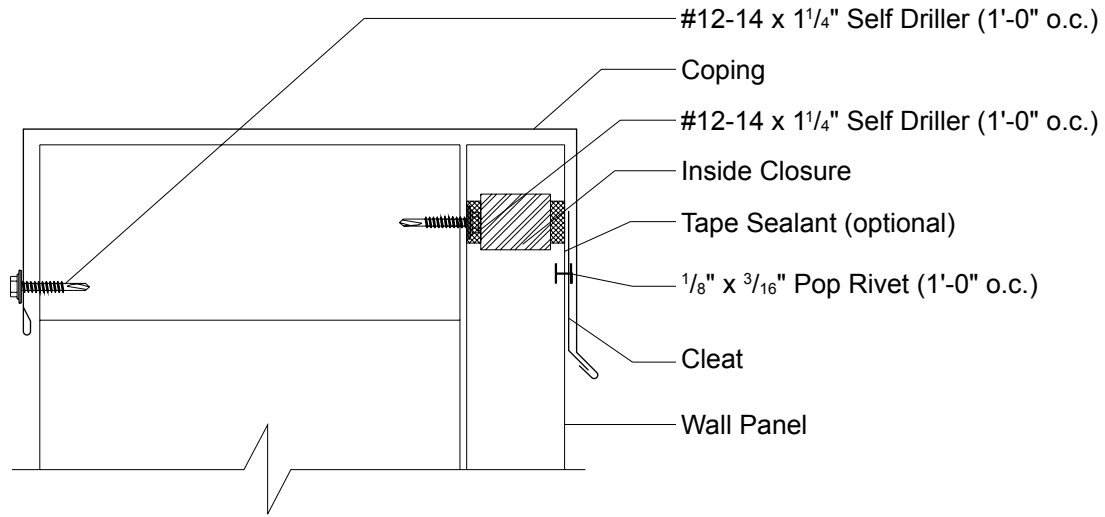


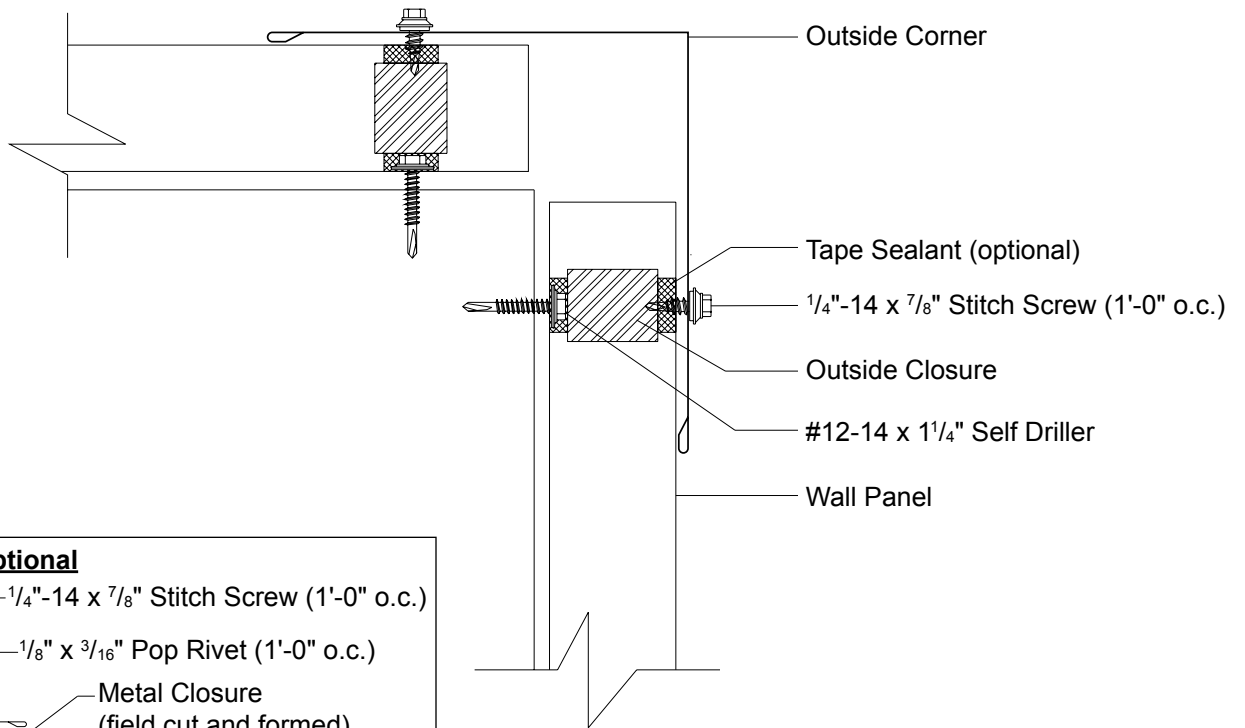
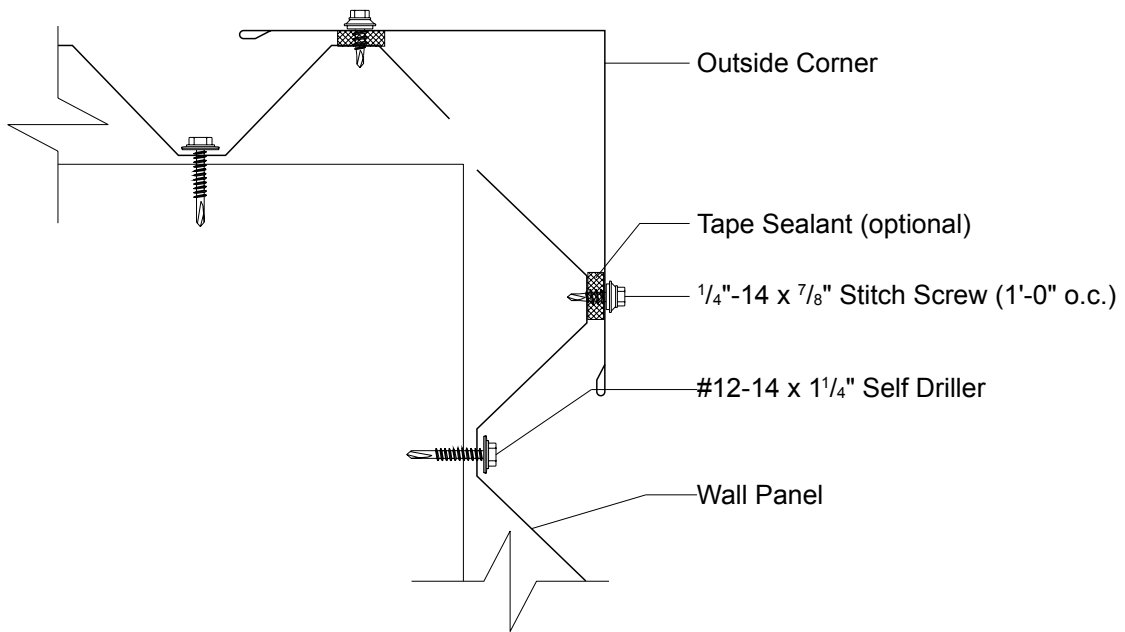
EXPOSED FASTENED PANEL SERIES PEAK DETAIL

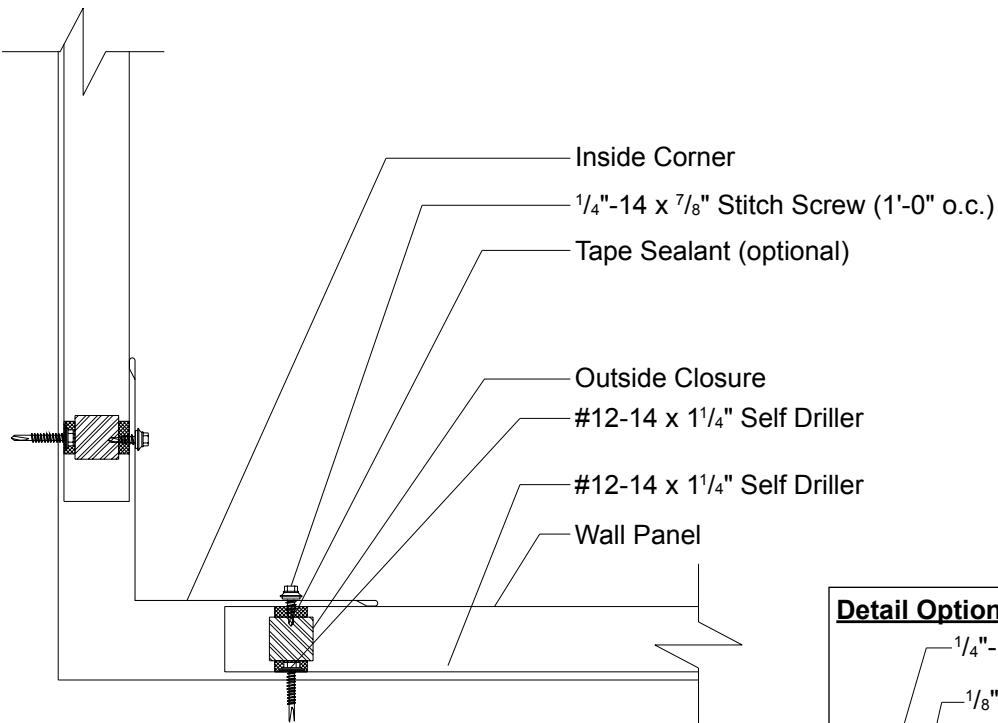
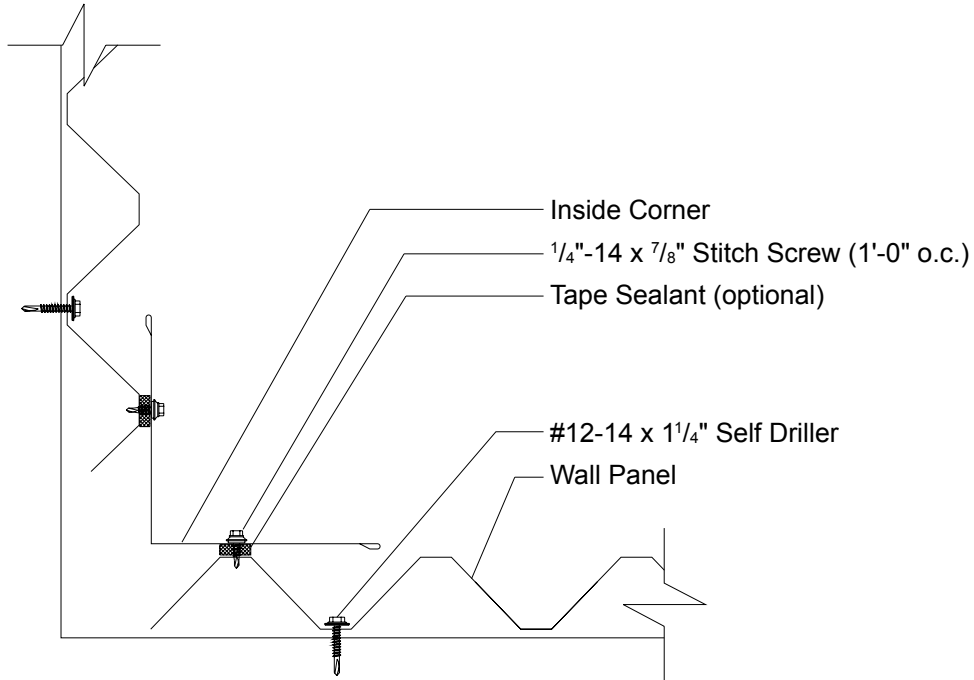


EXPOSED FASTENED PANEL SERIES UNIVERSAL RIDGE DETAIL

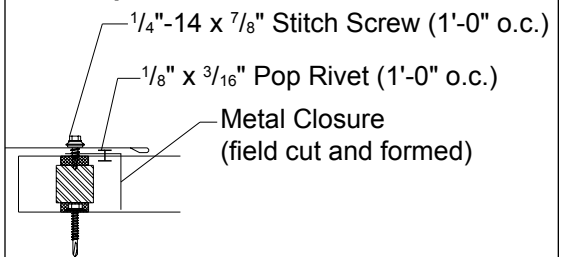


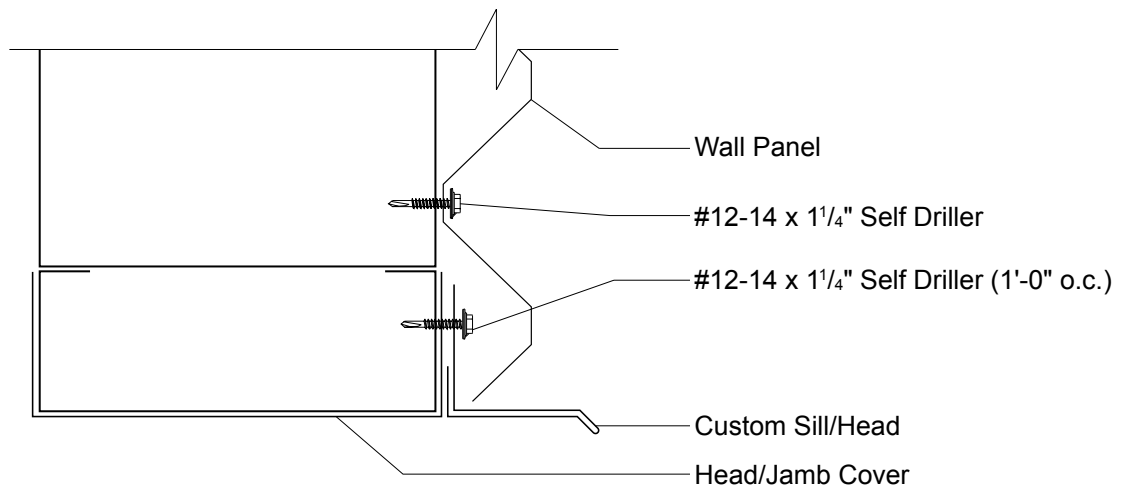
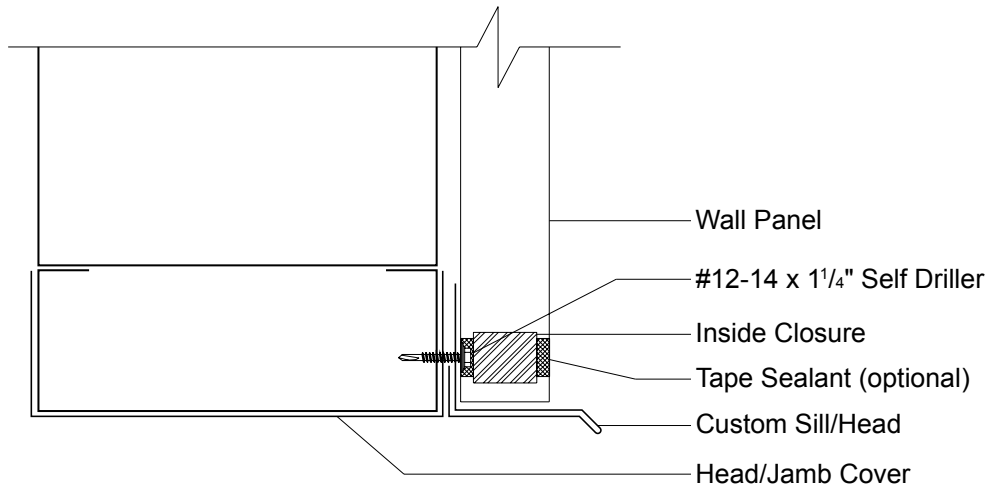


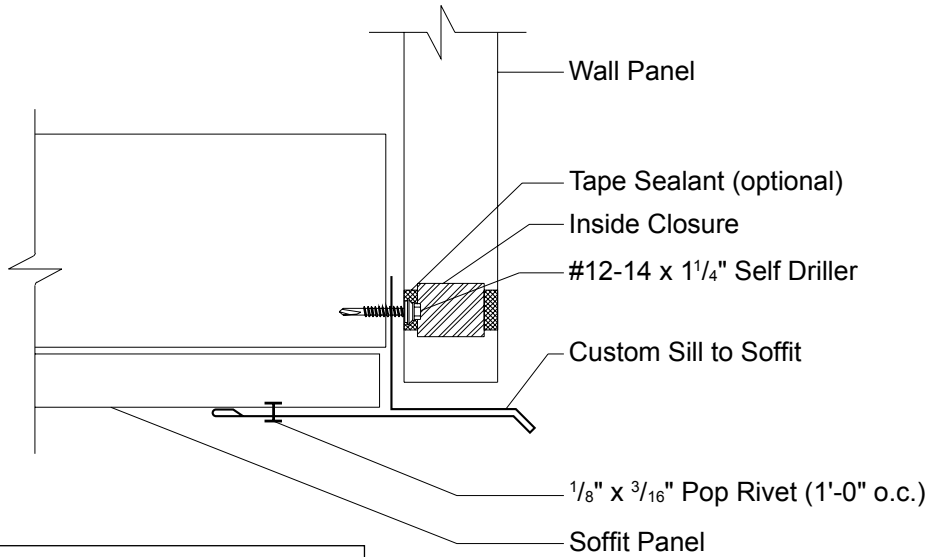




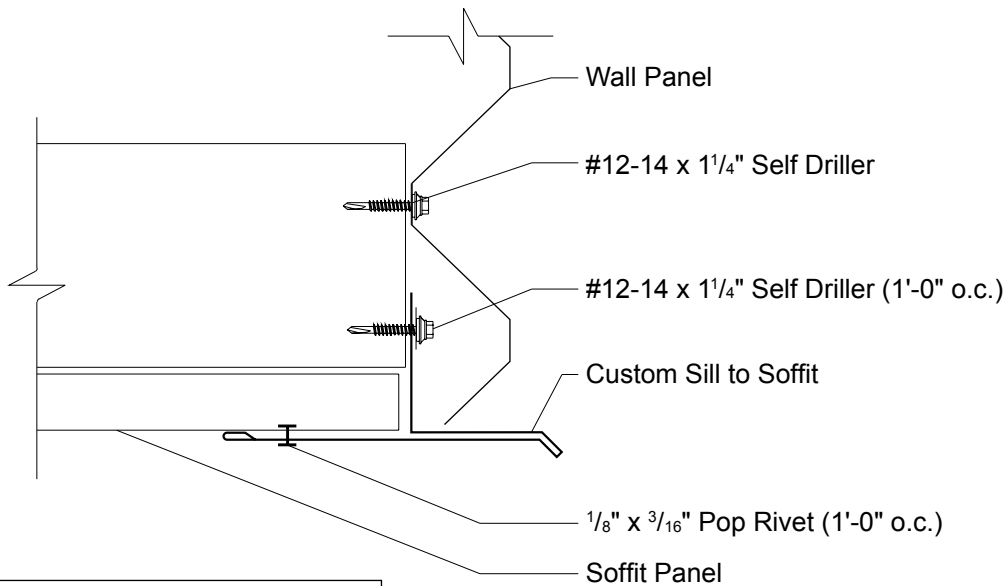
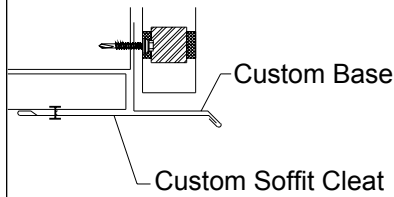
Detail Optional



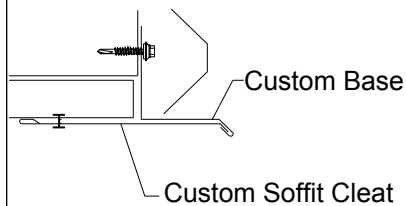


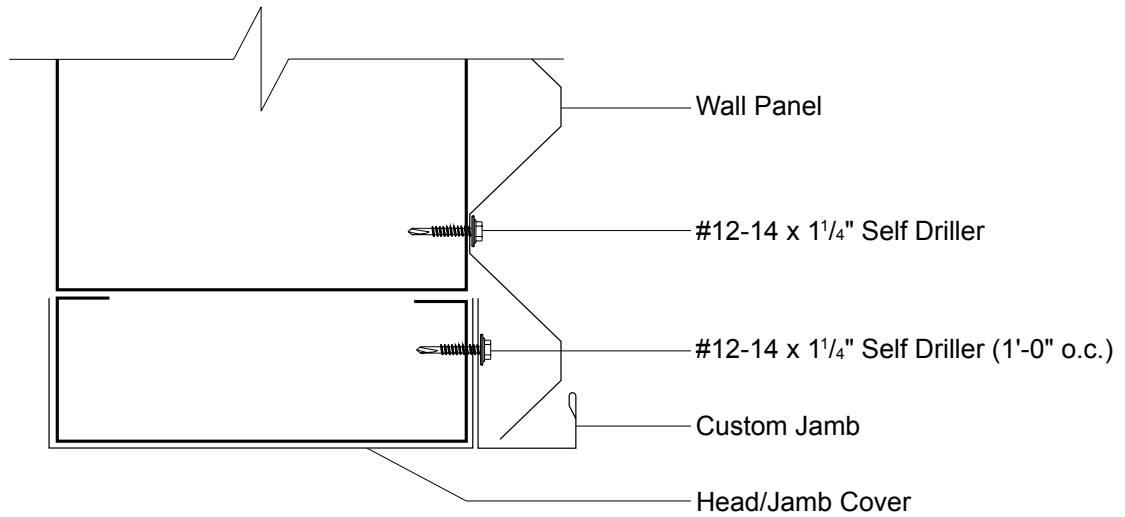
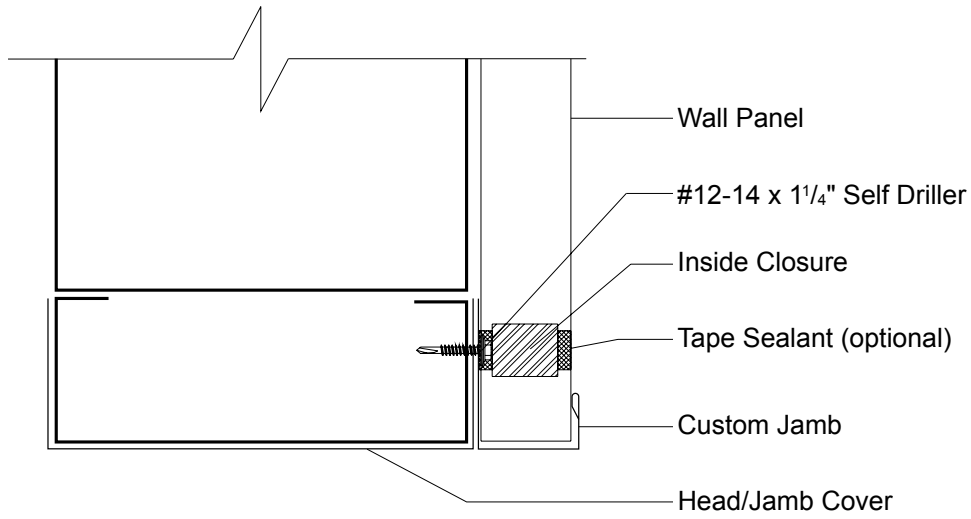


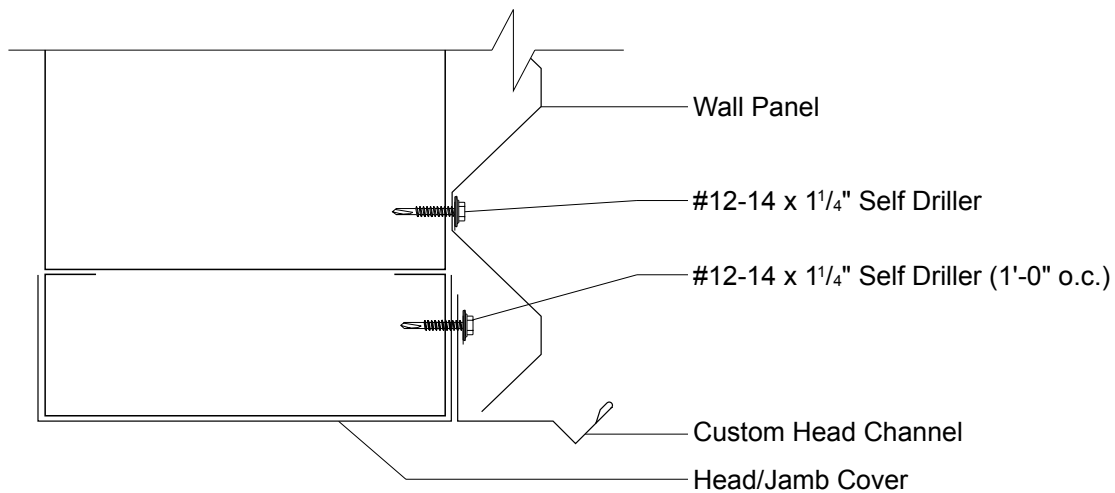
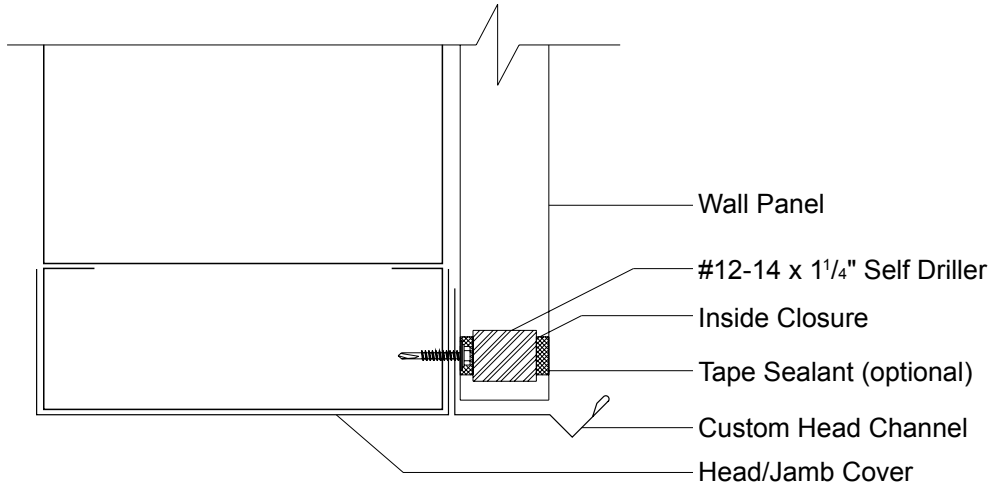
Detail Optional



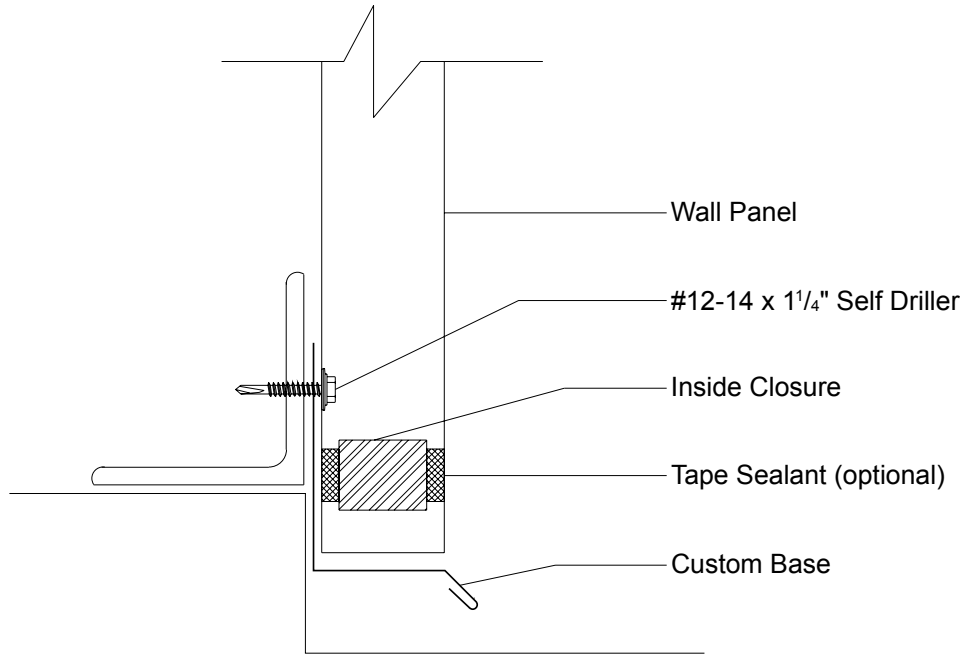
Detail Optional







EXPOSED FASTENED PANEL SERIES **BASE DETAIL (VERTICAL)**



EXPOSED FASTENED PANEL SERIES **BASE DETAIL (HORIZONTAL)**

