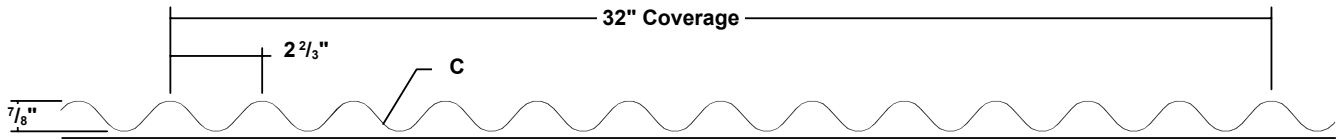


Product	Page No.
Panel Information	
7/8" Corrugated Panel Profiles.....	P7/8-2
Panel Overview	P7/8-2
Flashing Profiles	
Eave	P7/8-3
Cleat	P7/8-3
Box Gutter	P7/8-3
Box Gutter End	P7/8-3
Universal Gutter/Downspout Strap	P7/8-3
4" x 3 1/2" Downspout.....	P7/8-3
4" x 3 1/2" 90° Elbow.....	P7/8-3
Downspout Bracket	P7/8-3
Valley	P7/8-3
Rake	P7/8-3
Rakewall	P7/8-3
Pitch Break	P7/8-3
Counter Flashing	P7/8-3
Reglet Flashing.....	P7/8-3
Peak	P7/8-3
11" Ridge/Hip Cover	P7/8-4
Gravel Stop.....	P7/8-4
Outside Corner	P7/8-4
Inside Corner	P7/8-4
1.5" Sill/Head.....	P7/8-4
1.5" Sill to Soffit	P7/8-4
1 1/4" Base	P7/8-4
Jamb.....	P7/8-4
Accessory Profiles	
Universal Closure	P7/8-5
Tube Sealant	P7/8-5
Tape Sealant.....	P7/8-5
Rubber Roof Jack.....	P7/8-5
Retro Roof Jack.....	P7/8-5
Rubber Roof Flash Kit	P7/8-5
Touch-Up Paint.....	P7/8-5
Continuous Ridge Vent.....	P7/8-5
Louver with Screen.....	P7/8-5
7/8" Corrugated Closure.....	P7/8-5
Testing Information	
Section Properties (Roof Panel).....	P7/8-6
Section Properties (Roof Panel).....	P7/8-7
Design/Installation Considerations	
Fastening Patterns	P7/8-8

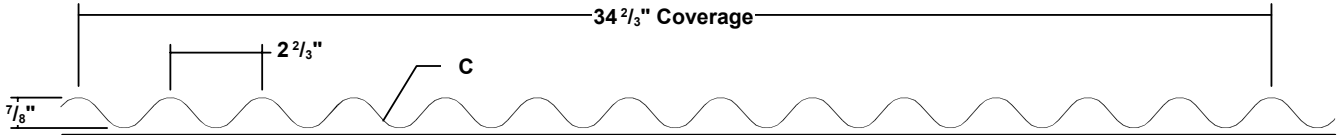
Product	Page No.
Detail Conditions	
Eave Detail	P7/8-9
Box Gutter Detail	P7/8-9
Valley Detail.....	P7/8-10
Rake Detail	P7/8-10
Rakewall Detail.....	P7/8-11
Endwall Detail.....	P7/8-11
Peak Detail	P7/8-12
Ridge/Hip Detail.....	P7/8-12
Gravel Stop Detail	P7/8-13
Outside Corner Detail.....	P7/8-13
Inside Corner Detail.....	P7/8-14
Jamb Detail.....	P7/8-14
Sill/Head Detail	P7/8-15
Base Detail	P7/8-15
Notes	
Notes	P7/8-16

7/8" CORRUGATED PANEL OVERVIEW

ROOF PANEL PROFILE



WALL PANEL PROFILE



SLOPE

The minimum recommended roof slope for 7/8" Corrugated panel is 1:12.

SUBSTRATE

7/8" Corrugated panel is designed to be utilized over open structural framing, but can easily be used with a solid substrate. For solid substrate applications, the recommended substrate is 5/8" plywood with a 30 pound felt moisture barrier. To avoid panel distortion, use a properly aligned and uniform substructure.

COVERAGE

7/8" Corrugated panel has a roof coverage of 32" and a wall coverage of 34 2/3".

LENGTH

Lengths under 5'-0" are available with some cutting restrictions. Maximum recommended panel length is 45'-0". Longer panels require additional consideration in packaging, shipping and erection. Please consult your Metal Sales branch for recommendations (see PGI-2 and PGI-3 for locations).

AVAILABILITY

Panels are available in 26, 24, 22 and 20 Gauge (minimum quantity may apply).

APPLICATION

Commercial and Industrial Panel

FASTENING SYSTEM

Direct Fastened (exposed)

FASTENERS

The fastener selection guide should be consulted for choosing proper fasteners for specific applications. Quantity and type of fastener must meet necessary loading and code requirements (see PGI-12 through PGI-14).

MATERIALS

26 gauge steel: Grade 80 per ASTM A 792
24 and 22 gauge steel: Grade 50 per ASTM A 792
20 gauge steel: Grade 33 per ASTM A 653
Optional material: Weathering Steel

FINISH

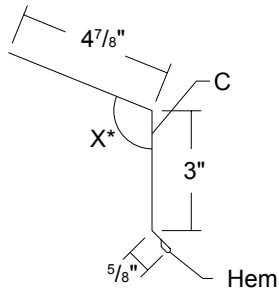
- ▶ *Acrylic Coated Galvalume® (ACG), AZ55 per ASTM A 792
- ▶ Prepainted Galvalume®, AZ50 per ASTM A 792 or Galvanized, G90 per ASTM A 653
- ▶ MS Colorfast45®
- ▶ **PVDF

* Differential appearance of Acrylic Coated Galvalume® roofing materials is not a cause for rejection.

** Meets both Kynar 500® and Hylar 5000® specifications.

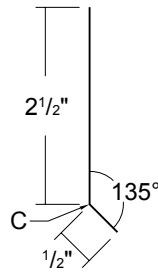
7/8" CORRUGATED FLASHING PROFILES

EAVE



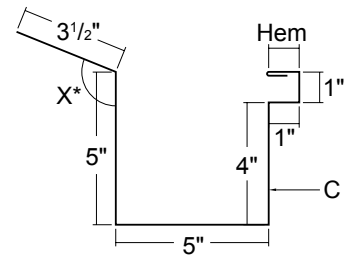
Length 10'-2" - *Specify Slope Angle

CLEAT



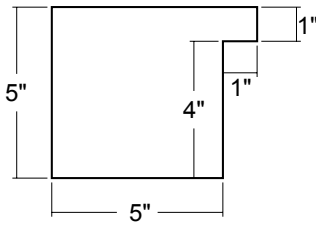
Length 10'-2"

BOX GUTTER

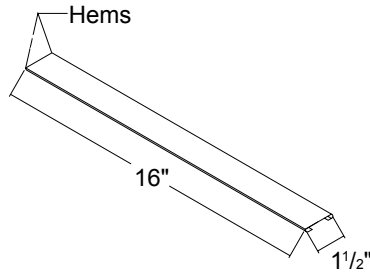


Lengths 10'-2" and 20'-3"
*Specify Slope Angle

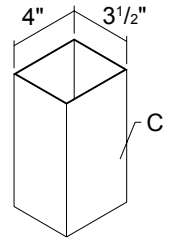
BOX GUTTER END



UNIVERSAL GUTTER/ DOWNSPOUT STRAP

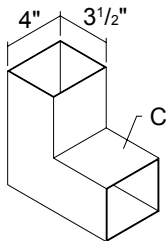


4" x 3 1/2" DOWNSPOUT



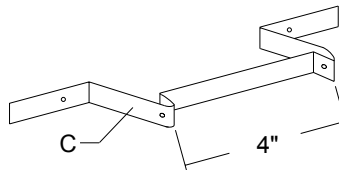
Lengths 10'-2" and 20'-3"
(6" x 4" is also available)

4" x 3 1/2" 95° ELBOW



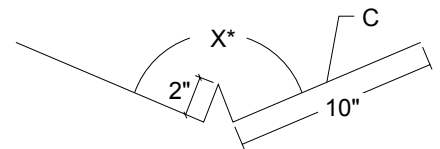
(6" x 4" is also available)
(45° is also available)

DOWNSPOUT BRACKET



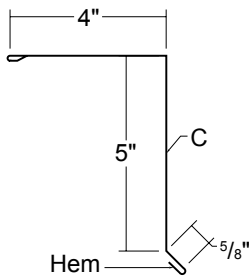
(6" is also available)

VALLEY



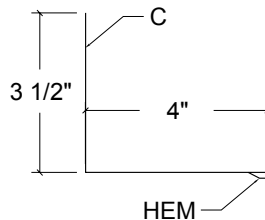
Lengths 10'-2" and 20'-3"
*Specify Slope Angle

RAKE



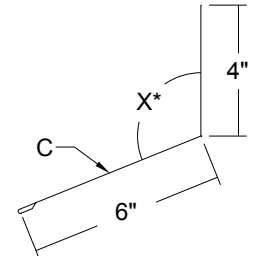
Lengths 10'-2" and 20'-3"

RAKEWALL



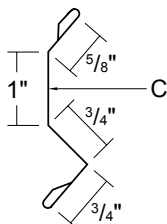
Lengths 10'-2" and 20'-3"

PITCH BREAK



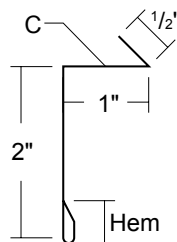
Length 10'-2" - *Specify Slope Angle

COUNTER FLASHING



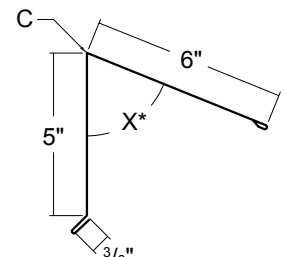
Length 10'-2"

REGLET FLASHING



Length 10'-2"

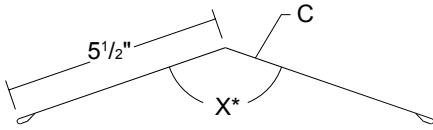
PEAK



Lengths 10'-2" and 20'-3"
*Specify Slope Angle

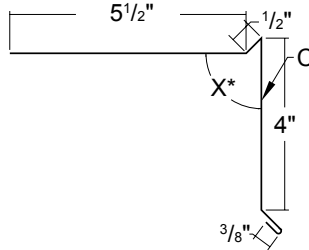
7/8" CORRUGATED FLASHING PROFILES (CONT.)

11" RIDGE/HIP COVER



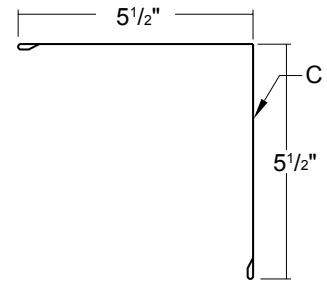
Lengths 10'-2" and 20'-3"
*Specify Slope Angle

GRAVEL STOP



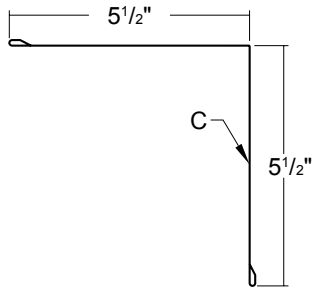
Lengths 10'-2" and 20'-3"
*Specify Slope Angle

OUTSIDE CORNER



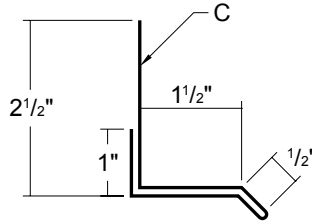
Lengths 10'-2" and 20'-3"

INSIDE CORNER



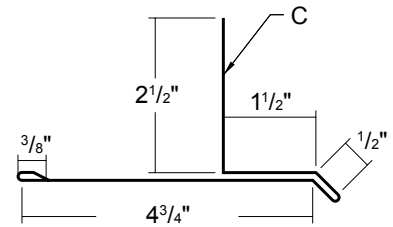
Lengths 10'-2", 20'-3"

1.5" SILL/HEAD



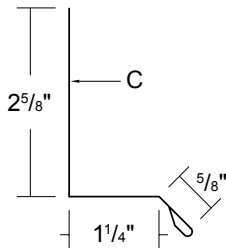
Length 10'-2"

1.5" SILL TO SOFFIT



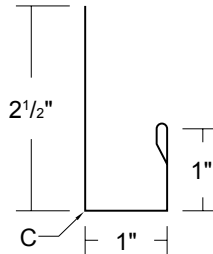
Length 10'-2"

1 1/4" BASE



Length 10'-2"

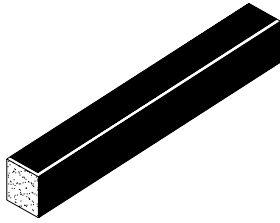
JAMB



Length 10'-2"

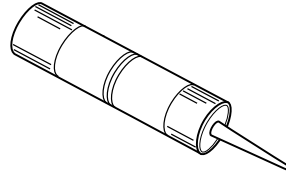
C- Indicates color side of flashing.

UNIVERSAL CLOSURE



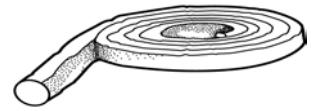
1" x 1 1/2" x 50' Polyethylene Foam
1" x 1 1/2" x 10' Polyethylene Foam

TUBE SEALANT



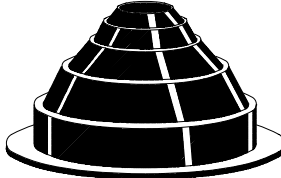
10.3 oz. Cartridge
Urethane

TAPE SEALANT



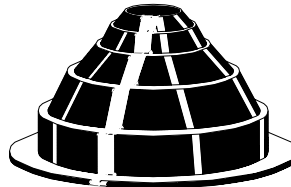
3/8" X 3/32" X 50'
Single Bead Tape Sealant
Butyl - Gray

RUBBER ROOF JACK



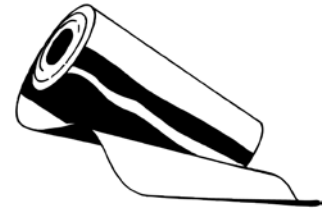
Mini (1/4" to 1 1/8" O.D. Pipe)
#2 (1 3/4" to 3" O.D. Pipe)
#4 (3" to 6" O.D. Pipe)
#6 (6" to 9" O.D. Pipe)
#8 (7" to 13" O.D. Pipe)

RETRO ROOF JACK



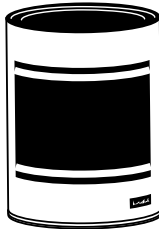
#801_{RETRO} (3/4" to 2 3/4" O.D. Pipe)
#802_{RETRO} (2" to 7 1/4" O.D. Pipe)
#803_{RETRO} (3 1/4" to 10" O.D. Pipe)

**RUBBER ROOF
FLASH KIT**



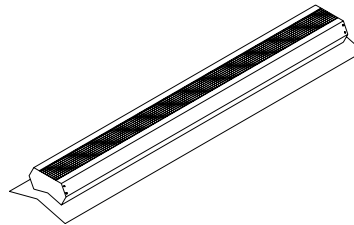
12" x 50'-0" Flash Kit
18" x 50'-0" Flash Kit

TOUCH-UP PAINT



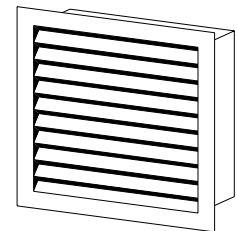
Available in 2 oz Bottles
PVDF / MS Colorfast45®

CONTINUOUS RIDGE VENT



9" X 10'-0"
12" X 10'-0"

LOUVER WITH SCREEN



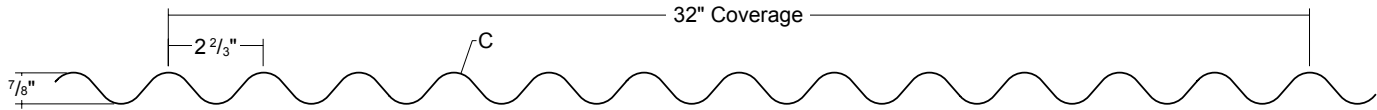
3'-0" X 3'-0"
3'-0" X 4'-0"

**7/8" CORRUGATED
CLOSURE**



Polyethylene Foam

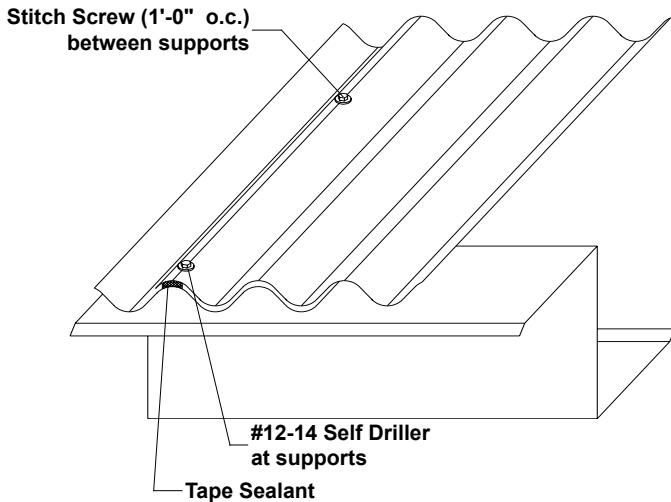
7/8" CORRUGATED SECTION PROPERTIES & GENERAL INFORMATION (ROOF PANEL)



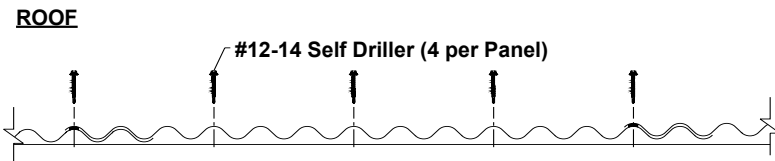
SECTION PROPERTIES								ALLOWABLE UNIFORM LIVE LOADS psf (3 or More Equal Spans)											
Ga	Width in	Yield ksi	Weight psf	Top in Compression		Bottom in Compression		Inward Load					Outward Load						
				I _{xx} in ⁴ /ft	S _{xx} in ³ /ft	I _{xx} in ⁴ /ft	S _{xx} in ³ /ft	2.5'	3'	3.5'	4'	4.5'	5'	2.5'	3'	3.5'	4'	4.5'	5'
26	32	80	1.02	0.0278	0.0624	0.0276	0.0624	269	171	108	72	51	37	269	171	108	72	51	37
24	32	50	1.33	0.0354	0.0801	0.0354	0.0801	291	204	138	93	65	47	144	131	118	105	92	80
22	32	50	1.73	0.0453	0.1029	0.0453	0.1029	373	262	177	119	83	61	373	262	177	119	83	61
20	32	33	2.11	0.0542	0.1234	0.0542	0.1234	295	207	153	118	93	73	295	207	153	118	93	73

- Theoretical section properties have been calculated per AISI 2012 "Specifications for the Design of Cold-formed Steel Structural Members." I_{xx} and S_{xx} are effective section properties for deflection and bending.
- Allowable load is calculated in accordance with AISI 2012 specifications considering bending, shear, combined bending and shear and deflection. Allowable load considers the 3 or more equal span condition and ASTM E 1592 testing for 24 ga panels. Allowable load does not address web crippling, fasteners/support connection or load testing. Panel weight is not considered.
- Deflection consideration is limited by a maximum deflection ratio of L/180 of span.
- Allowable loads do not include a 1/3 stress increase in uplift.

ROOF ATTACHMENT



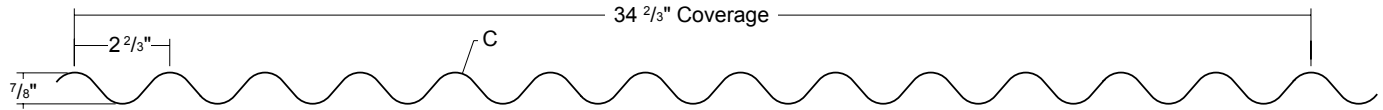
FASTENING PATTERNS



GENERAL INFORMATION

- **Slope**
The minimum recommended roof slope for 7/8" Corrugated panel is 1:12.
- **Substructure**
7/8" Corrugated panel is designed to be utilized over open structural framing but can easily be used with a solid substrate. To avoid panel distortion use a properly aligned and uniform substructure.
- **Coverage**
7/8" Corrugated roof panel has a coverage width of 32"
- **Length**
Minimum factory cut length is 3'-0". Maximum recommended panel length is 45'-0". Longer panels require additional consideration in packaging, shipping and erection. Please consult Metal Sales for recommendations.
- **Fastener**
The fastener selection guide should be consulted for choosing the proper fastener for specific applications. Quantity and type of fastener must meet necessary loading and code requirements.
NOTE: All panels are subject to surface distortion due to improperly applied fasteners. Overdriven fasteners will cause stress and induce oil canning across the face of the panel at or near the point of attachment.
- **Availability**
Finishes: Bare galvanized, MS Colorfast45®, PVDF, Weathering Steel and Acrylic Coated Galvalume®
Gauges: 26ga and 24ga standard, 22ga and 20ga optional

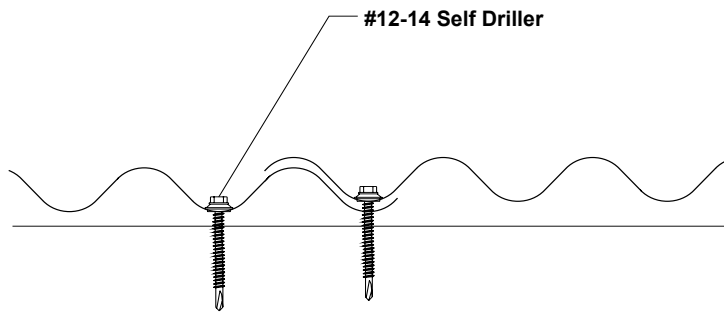
7/8" CORRUGATED SECTION PROPERTIES & GENERAL INFORMATION (WALL PANEL)



SECTION PROPERTIES								ALLOWABLE UNIFORM LIVE LOADS psf (3 or More Equal Spans)											
Ga	Width in	Yield ksi	Weight psf	Top in Compression		Bottom in Compression		Inward Load					Outward Load						
				Ixx in ⁴ /ft	Sxx in ³ /ft	Ixx in ⁴ /ft	Sxx in ³ /ft	2'	3'	4'	5'	6'	7'	2'	3'	4'	5'	6'	7'
26	34.67	80	0.94	0.0255	0.0576	0.0255	0.0576	379	158	67	34	20	12	379	158	67	34	20	12
24	34.67	50	1.22	0.0327	0.0739	0.0327	0.0739	175	151	127	102	78	54	175	151	127	102	78	54
22	34.67	50	1.60	0.0418	0.0950	0.0418	0.0950	400	241	109	56	32	20	400	241	109	56	32	20
20	34.67	33	1.95	0.0500	0.1139	0.0500	0.1139	400	191	108	67	39	24	400	191	108	67	39	24

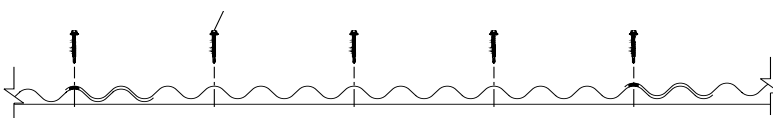
- Theoretical section properties have been calculated per AISI 2012 "Specifications for the Design of Cold-formed Steel Structural Members." Ixx and Sxx are effective section properties for deflection and bending.
- Allowable load is calculated in accordance with AISI 2012 specifications considering bending, shear, combined bending and shear and deflection. Allowable load considers the 3 or more equal span condition and ASRM E 330 testing for 24 ga panels. Allowable load does not address web crippling, fasteners/support connection or load testing. Panel weight is not considered.
- Deflection consideration is limited by a maximum deflection ratio of L/180 of span.
- Allowable loads do not include a 1/3 stress increase in uplift.

WALL ATTACHMENT



FASTENING PATTERN

WALL



GENERAL INFORMATION

► Substructure

7/8" Corrugated panel is designed to be utilized over open structural framing but can easily be used with a solid substrate. To avoid panel distortion use a properly aligned and uniform substructure.

► Coverage

7/8" Corrugated panel has a coverage width of 34 2/3"

► Length

Minimum factory cut length is 3'-0". Maximum recommended panel length is 45'-0". Longer panels require additional consideration in packaging, shipping, and erection. Please consult Metal Sales for recommendations.

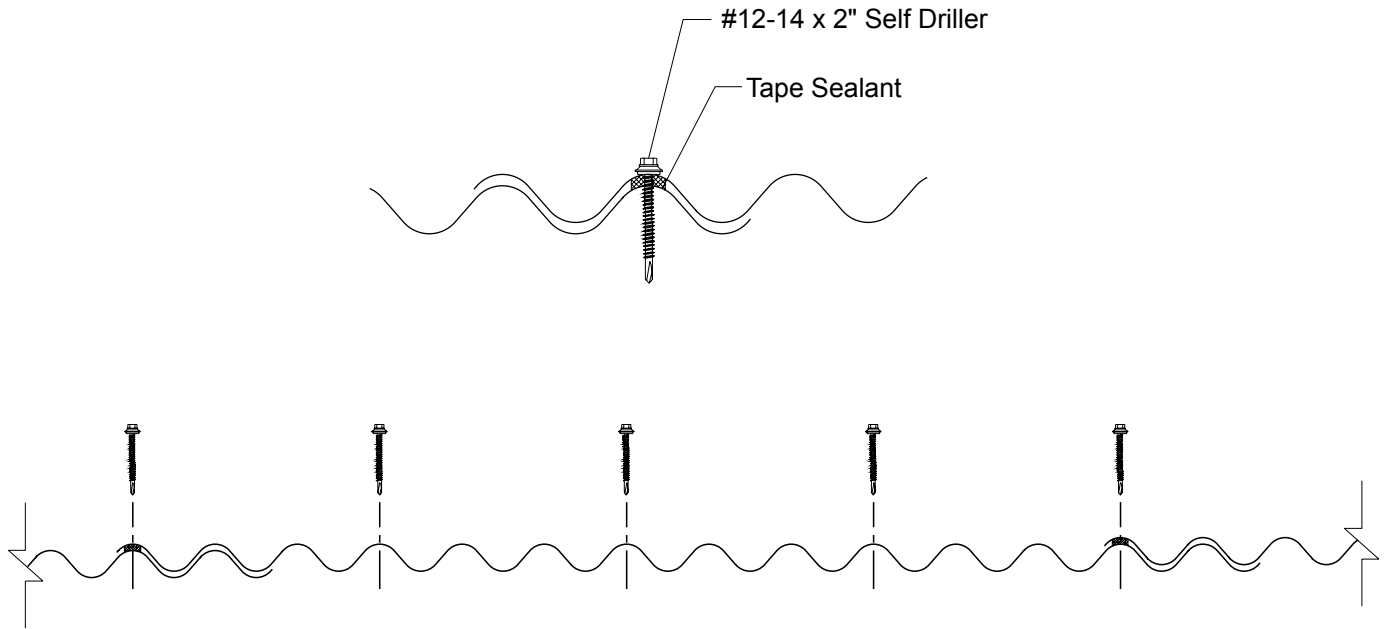
► Fastener

The fastener selection guide should be consulted for choosing the proper fastener for specific applications. Quantity and type of fastener must meet necessary loading and code requirements
NOTE: All panels are subject to surface distortion due to improperly applied fasteners. Overdriven fasteners will cause stress and induce oil canning across the face of the panel at or near the point of attachment.

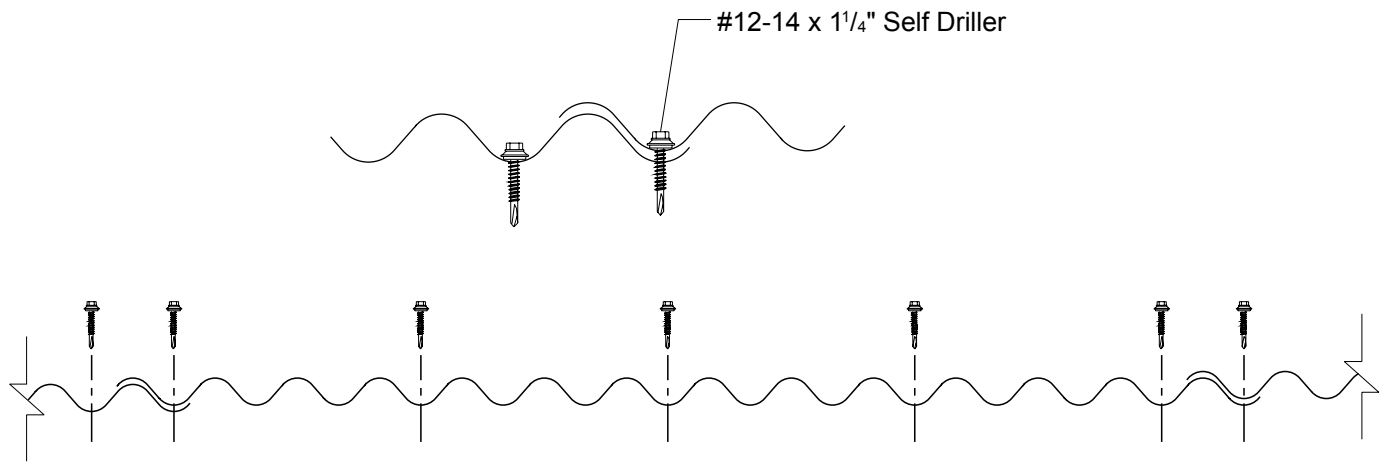
► Availability

Finishes: Bare galvanized, MS Colorfast45®, PVDF, Weathering Steel and Acrylic Coated Galvalume®
Gauges: 26ga and 24ga standard, 22ga and 20ga optional

ROOF PANEL FASTENING PATTERN

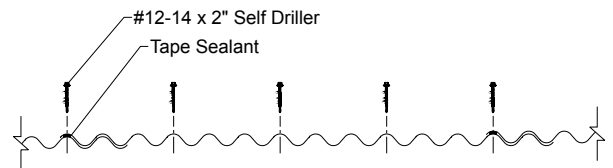
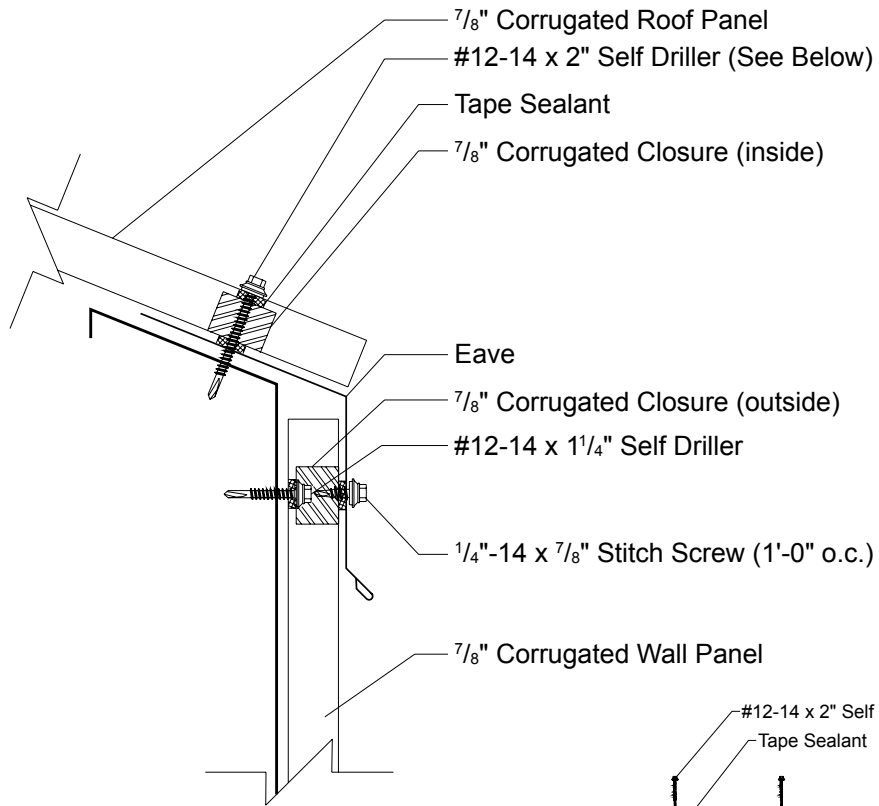


WALL PANEL FASTENING PATTERN



7/8" CORRUGATED EAVE DETAIL

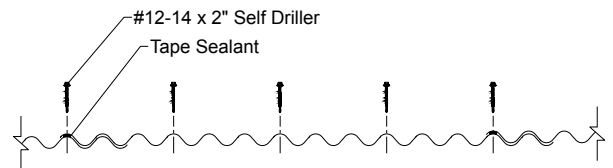
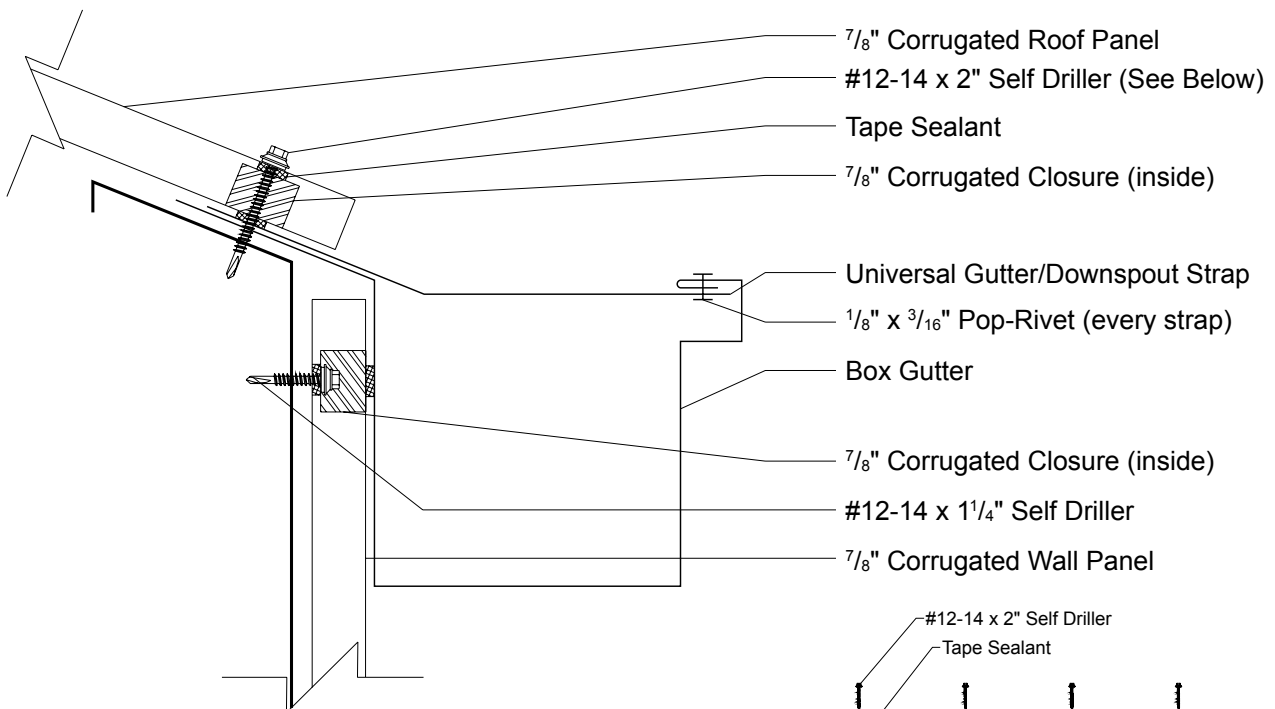
1:12 Minimum
Roof Slope



7/8" Corrugated Roof Fastening Pattern

7/8" CORRUGATED BOX GUTTER DETAIL

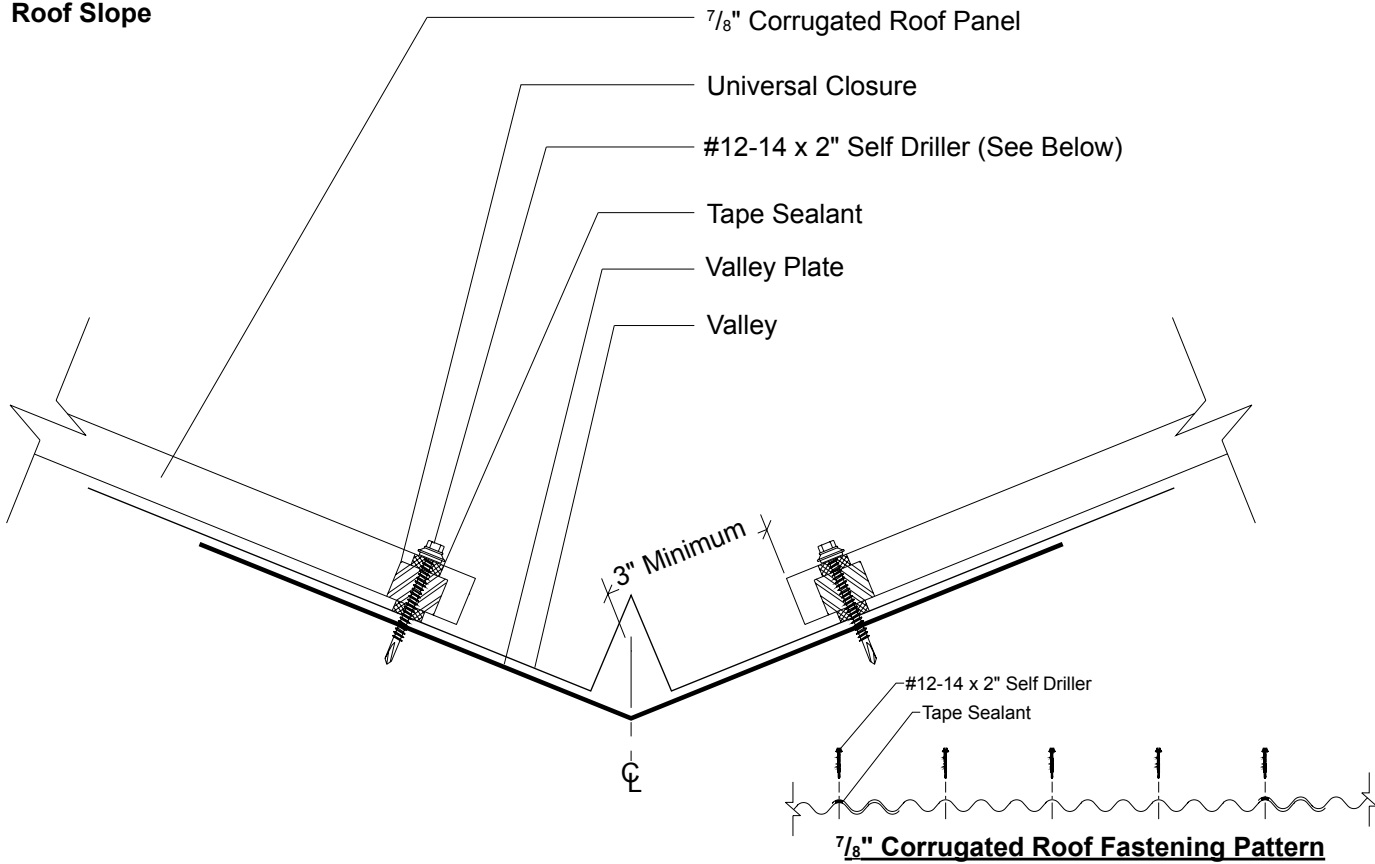
1:12 Minimum
Roof Slope



7/8" Corrugated Roof Fastening Pattern

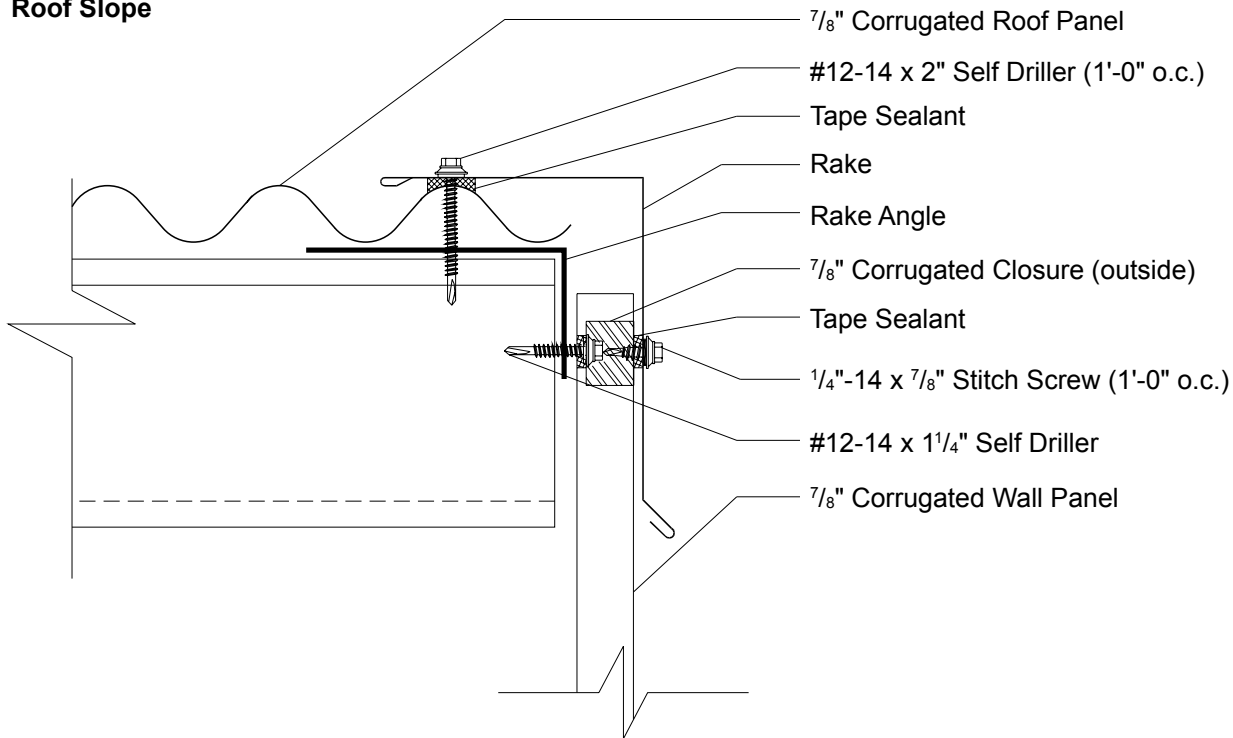
7/8" CORRUGATED VALLEY DETAIL

1:12 Minimum
Roof Slope



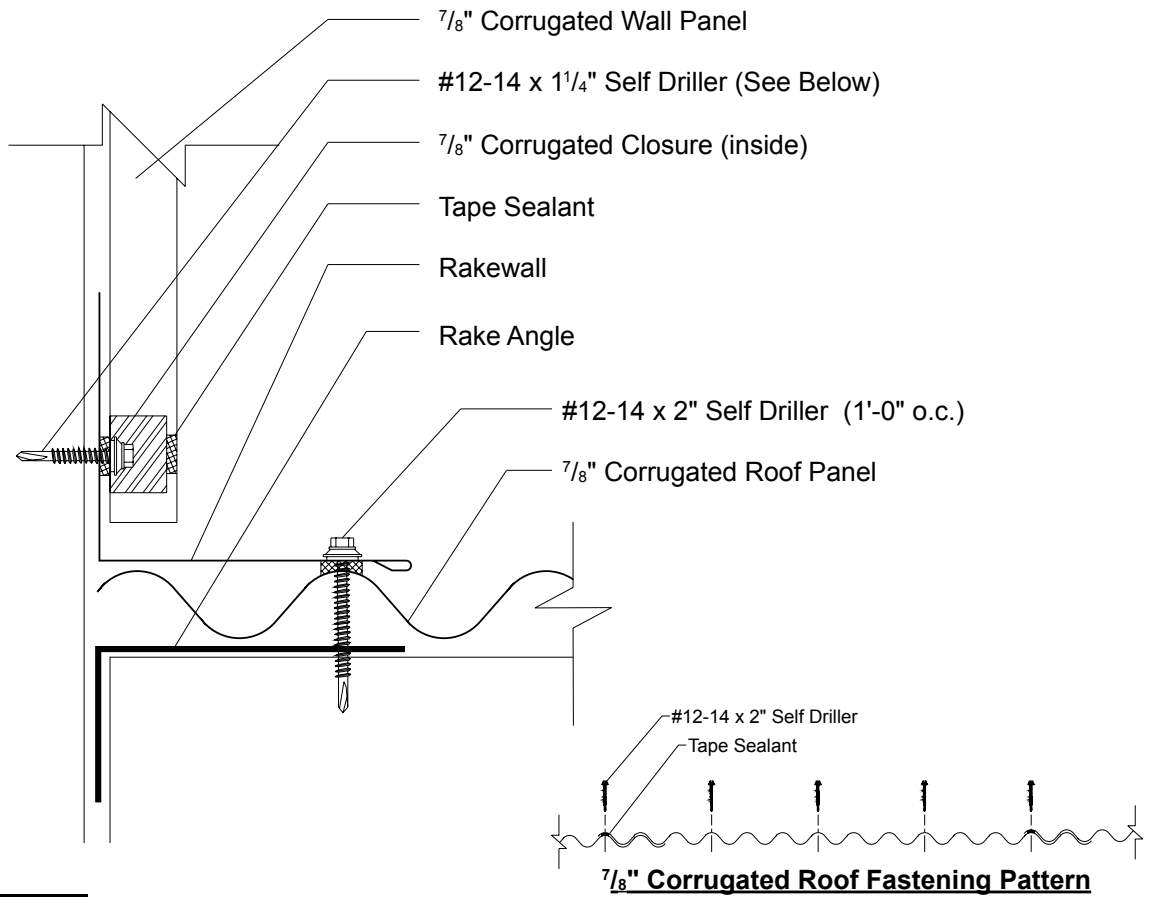
7/8" CORRUGATED RAKE DETAIL

1:12 Minimum
Roof Slope



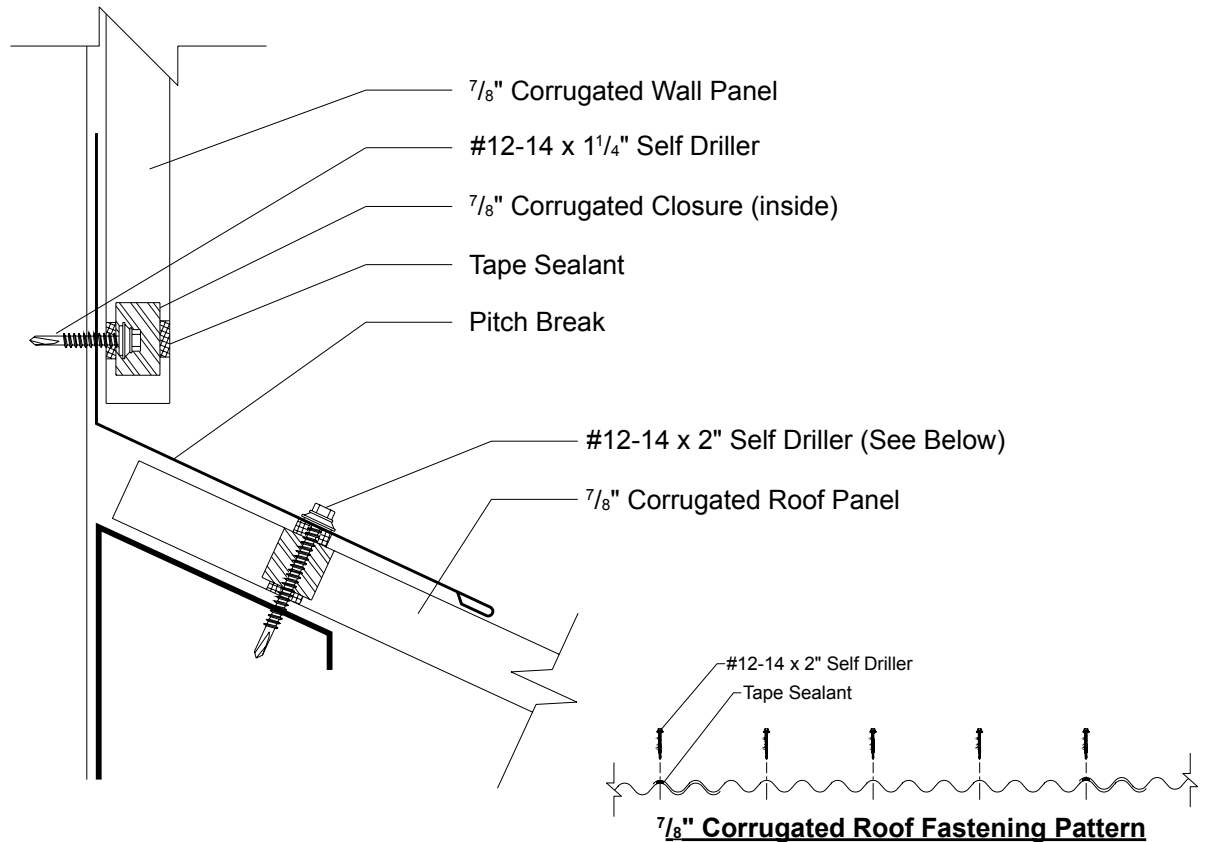
7/8" CORRUGATED RAKEWALL WITH WALL PANEL DETAIL

**1:12 Minimum
Roof Slope**



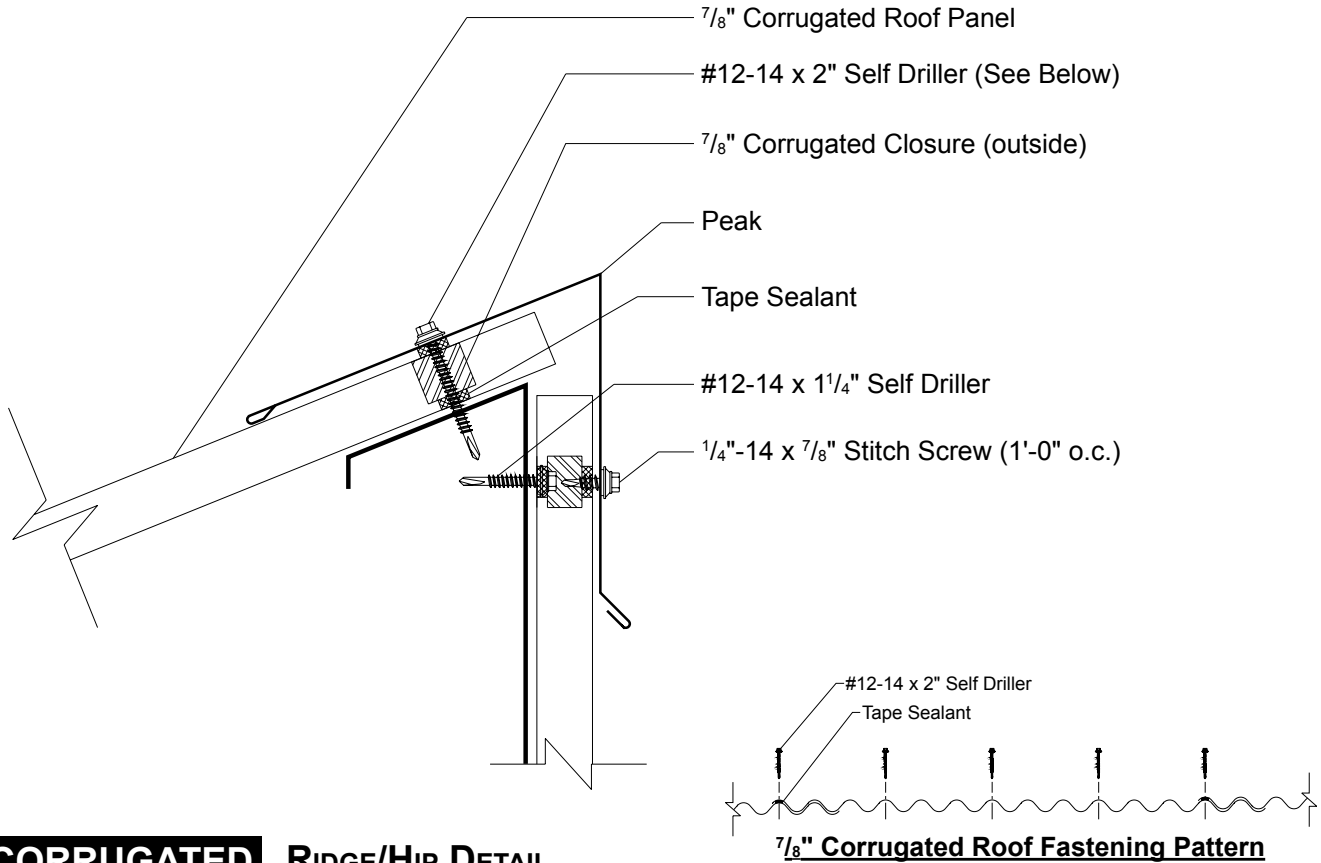
7/8" CORRUGATED ENDWALL WITH WALL PANEL DETAIL

**1:12 Minimum
Roof Slope**



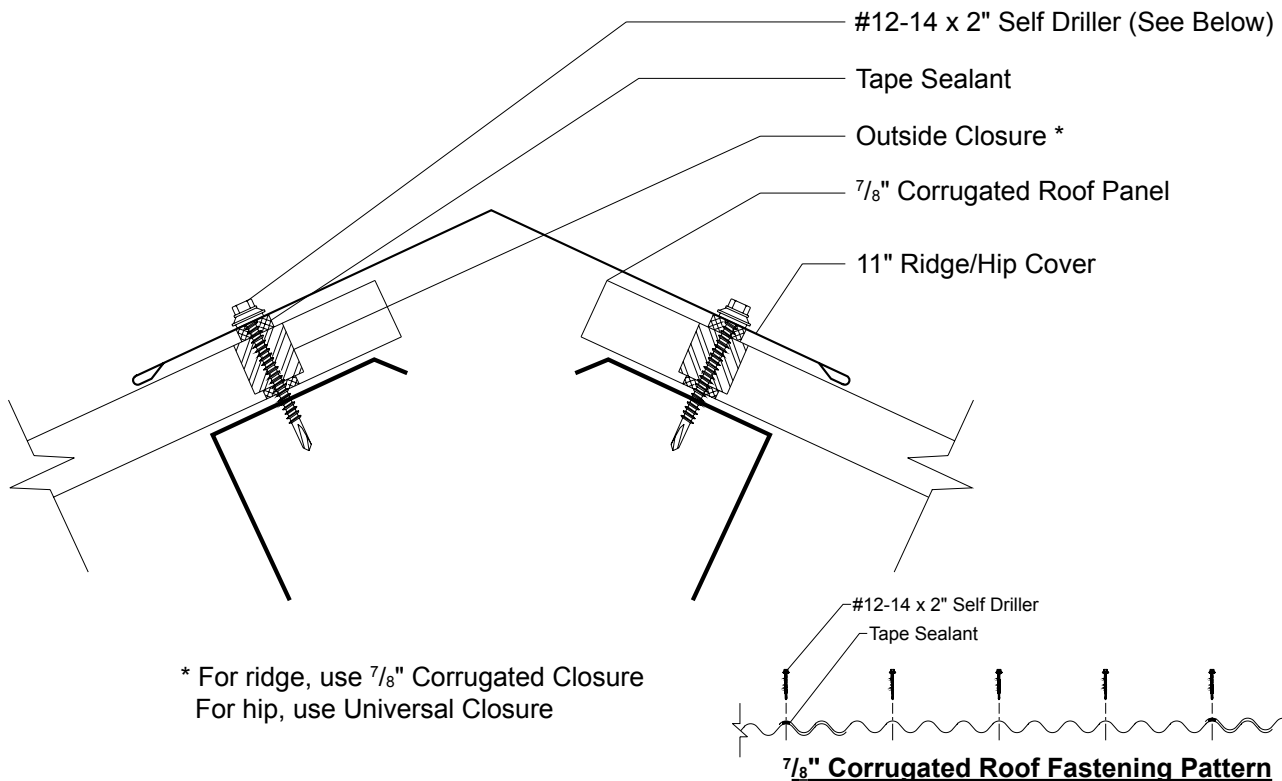
7/8" CORRUGATED PEAK DETAIL

1:12 Minimum
Roof Slope

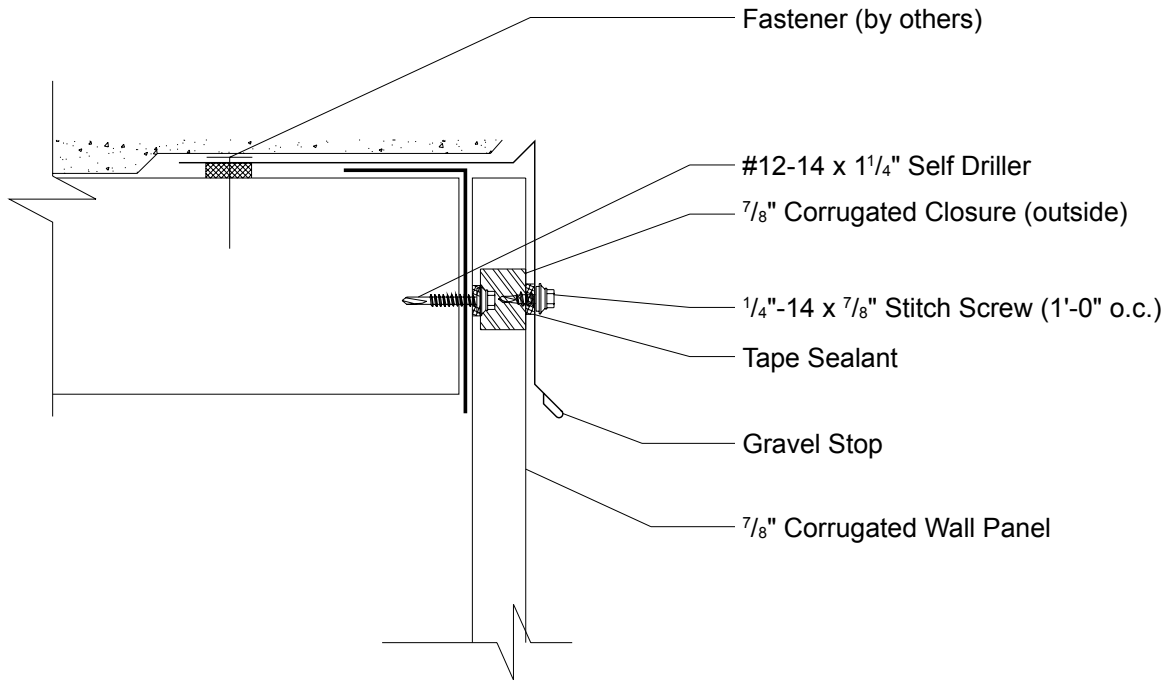


7/8" CORRUGATED RIDGE/HIP DETAIL

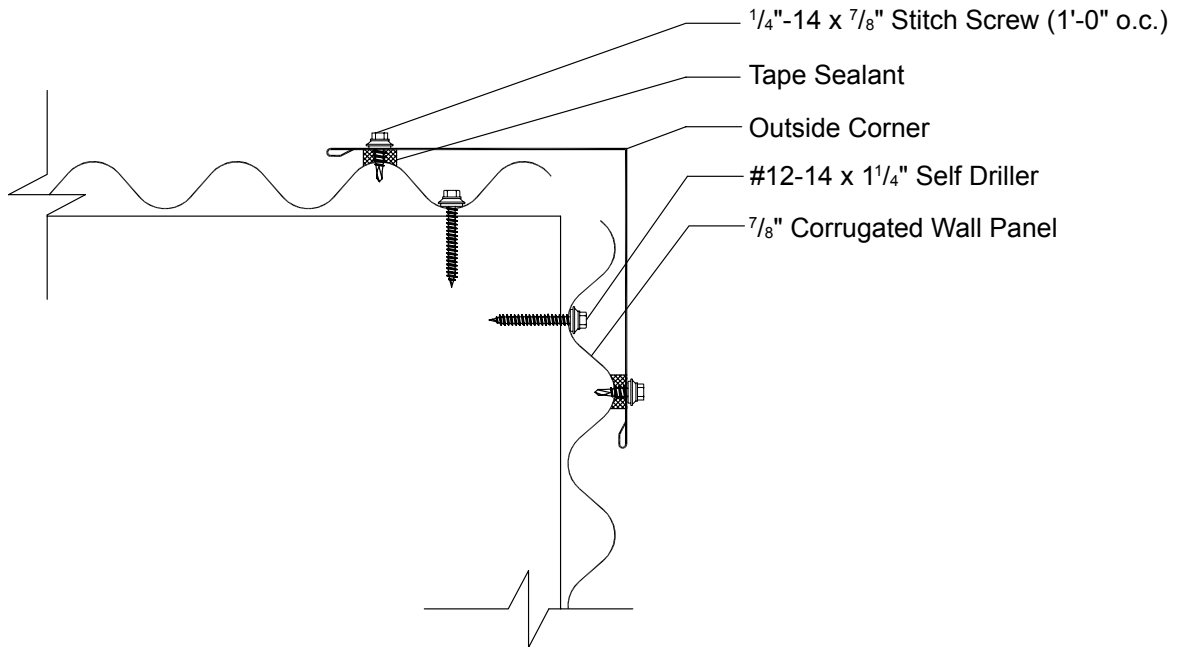
1:12 Minimum
Roof Slope



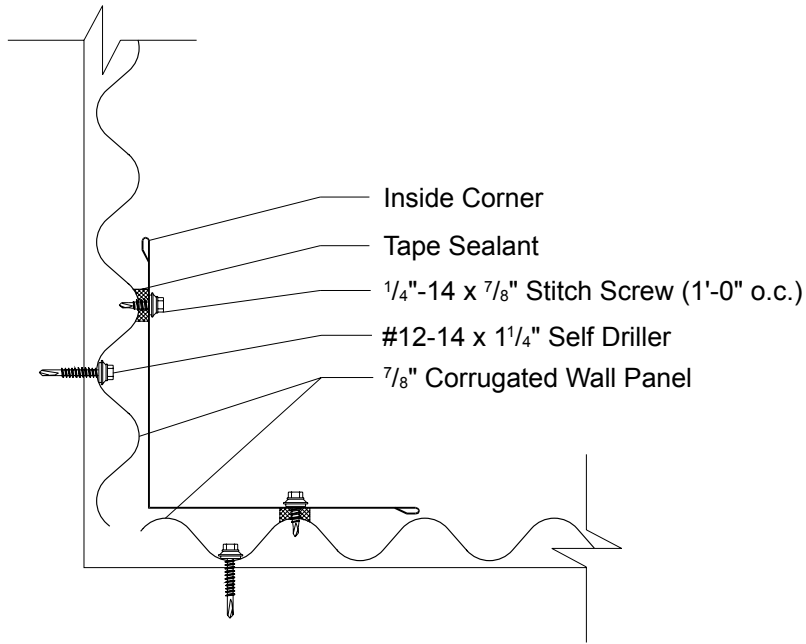
7/8" CORRUGATED GRAVEL STOP DETAIL



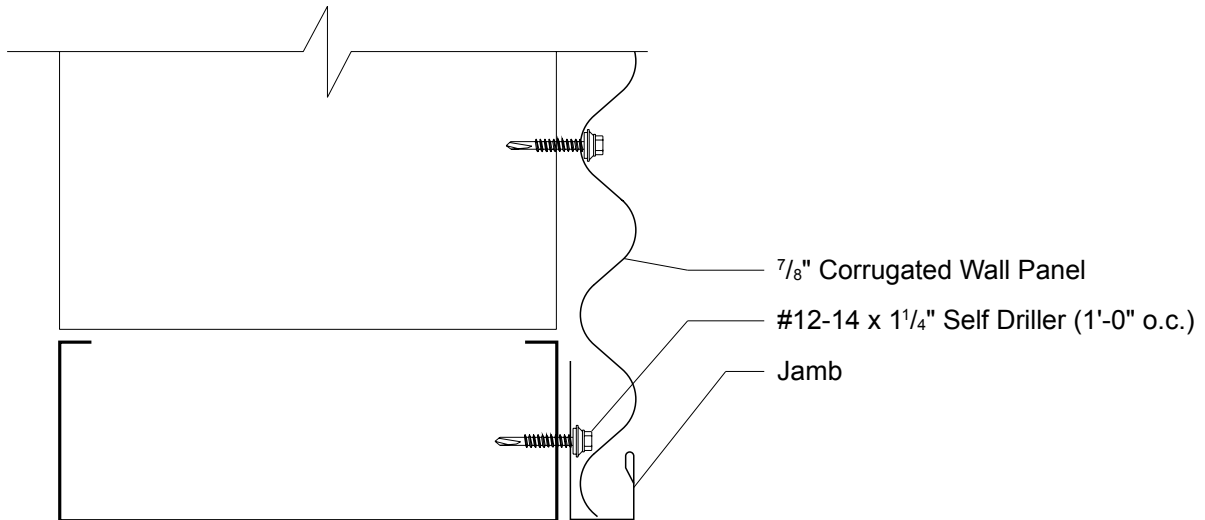
7/8" CORRUGATED OUTSIDE CORNER DETAIL



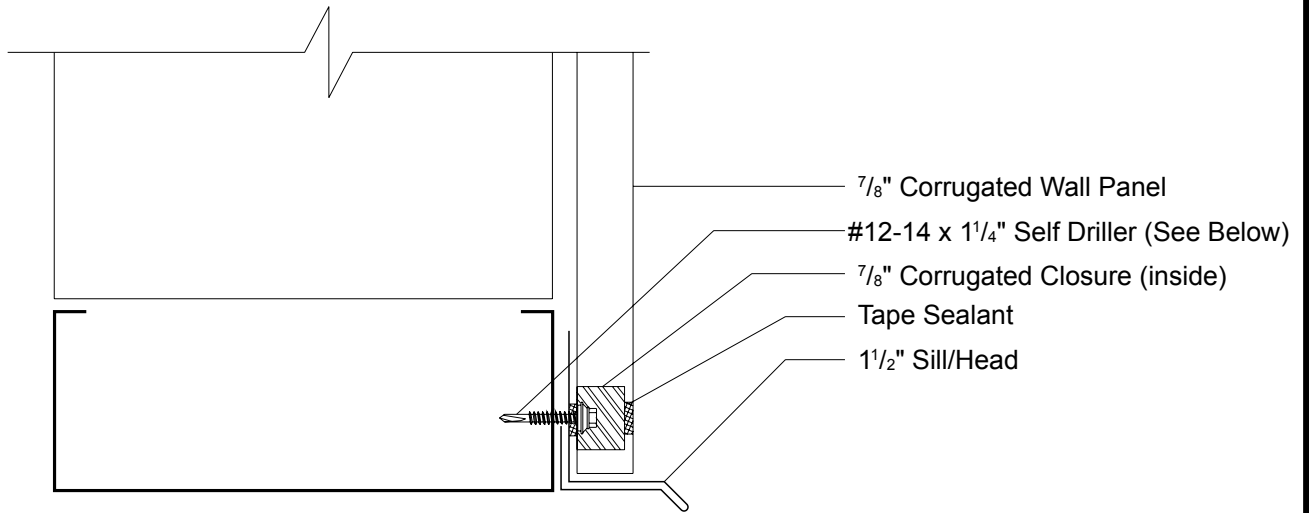
7/8" CORRUGATED INSIDE CORNER DETAIL



7/8" CORRUGATED JAMB DETAIL



7/8" CORRUGATED SILL/HEAD DETAIL



7/8" CORRUGATED BASE DETAIL

