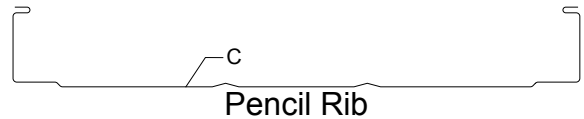


3" T-ARMOR

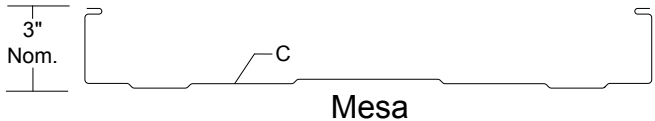
Condensed
Technical
Reference



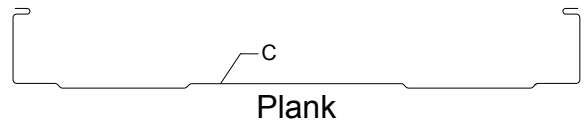
Flat



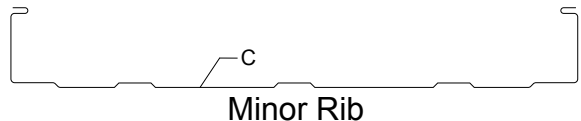
Pencil Rib



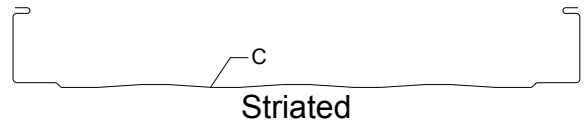
Mesa



Plank



Minor Rib



Striated

*Profiles are shown for 16" wide panels. Other width panels are similar.

ARCHITECTURAL
COMMERCIAL
INDUSTRIAL
PANEL

CONCEALED
FASTENED

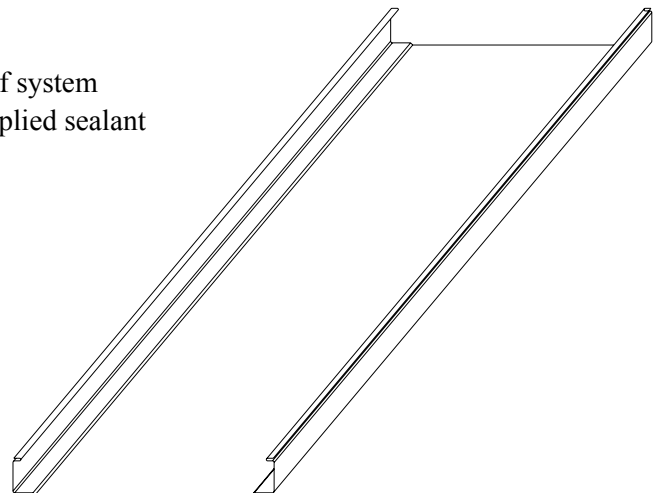
12", 16" OR 18"
COVERAGE

MINIMUM
SLOPE
1/2:12

OPEN FRAMING OR
SOLID SUBSTRATE

PANEL OVERVIEW

- ▶ Finishes: PVDF and Acrylic-Coated Galvalume®
- ▶ Corrosion Protection: AZ55 per ASTM A 792 for unpainted Galvalume®
AZ50 per ASTM A 792 for painted Galvalume®
G90 per ASTM A 653 for Galvanized
- ▶ Thickness: 24 ga, 22 ga and 20 ga
- ▶ 12", 16" or 18" panel coverage, 3" rib height
- ▶ Panel Length: Minimum: 6', Maximum: 80'
- ▶ Architectural, structural vertical rib standing seam roof system
- ▶ Integral mechanically seamed side lap with factory-applied sealant
- ▶ Minimum roof slope: 1/2:12
- ▶ Panels can be factory-notched
- ▶ Accommodates 1/2" to 6" blanket insulation



TESTING AND APPROVALS

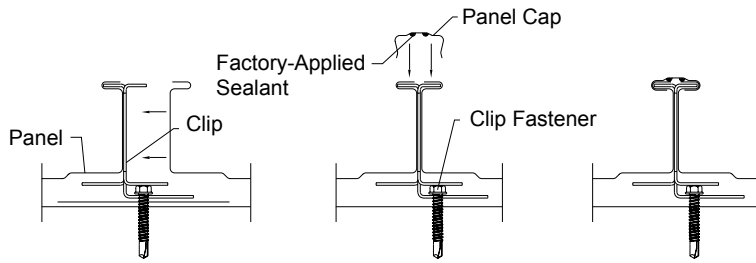
- ▶ UL 2218 Impact Resistance - Class 4
- ▶ UL 790 Fire Resistance Rating - Class A, per building code
- ▶ UL 263 Fire Resistance Rating - per assembly
- ▶ ASTM E 1592 Structural Performance
- ▶ ICC Evaluation Report - Pending

ms metal sales[™]
manufacturing corporation

3" T-ARMOR

**Condensed
Technical
Reference**

ATTACHMENT DETAILS

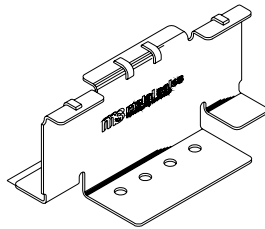


INSTALLING PANEL

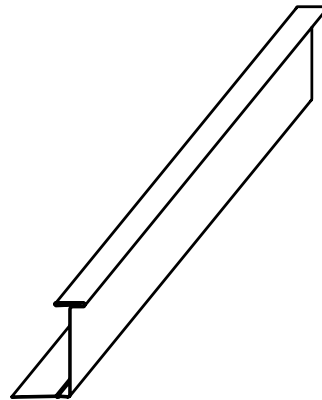
INSTALLING CAP

SEALED

CLIP OPTIONS



INDIVIDUAL CLIP



CONTINUOUS CLIP

FASTENING INFORMATION

► Clips

Clip spacing is based upon the design loads, the spanning capacity of the panels, the fasteners and the support members.

Individual clips are 0.060" thick, G90 is standard, 410 stainless is optional. Continuous clips are 24 or 22 ga.

Both Individual and continuous clips can accommodate practically unlimited thermal movement in each direction.

► Fasteners

Overdriven fasteners will cause panel distortions.

Fasteners should extend 1/2" or more past the inside face of the support material.

Clip Fasteners:

Attaching to Wood:

#12-11 x 1-1/2" Wood Screw

Attaching to Steel:

<18 ga: 1/4"-14 Deck Screw

>=18 ga, <=12 ga: 1/4"-14 Driller, No Washer

>12 ga: 1/4"-24 Driller, No Washer

Exposed End Fasteners:

At Eave Plate or Back-Up Channel:

#12-14 XL Driller

Concealed End Fasteners:

At Eave Plate or Back-Up Channel:

#12-14 Driller, No Washer

Trim Fasteners:

1/4"-14 x 7/8" XL Stitch Screw

1/8" x 3/16" Pop Rivet

STEEL SECTION PROPERTIES

Ga	Width in	Yield ksi	Weight psf	Top In Compression		Bottom In Compression		ALLOWABLE UNIFORM LOADS, psf (3 or More Equal Spans)											
				Ixx in ⁴ /ft	Sxx in ³ /ft	Ixx in ⁴ /ft	Sxx in ³ /ft	Inward Load			Outward Load								
								2'	2.5'	3'	3.5'	4'	5'	2'	2.5'	3'	3.5'	4'	5'
24	12	50	1.60	0.5756	0.2723	0.3676	0.2442	400	400	379	305	251	178	51	47	44	41	37	31
22	12	50	2.10	0.7900	0.3776	0.5290	0.3434	400	400	400	400	400	284	51	47	44	41	37	31
20	12	33	2.57	0.9970	0.4828	0.7140	0.4332	400	400	400	400	377	250	51	47	44	41	37	31
24	16	50	1.43	0.4665	0.2063	0.2235	0.1328	400	323	247	194	157	107	51	47	44	41	37	31
22	16	50	1.87	0.6428	0.2869	0.3195	0.1964	400	400	400	325	256	170	51	47	44	41	37	31
20	16	33	2.29	0.8213	0.3716	0.4320	0.2786	400	400	400	318	248	163	51	47	44	41	37	31
24	18	50	1.37	0.4260	0.1839	0.1987	0.1177	389	287	219	173	139	95	51	47	44	41	37	31
22	18	50	1.80	0.5887	0.2560	0.2840	0.1743	400	400	376	288	228	151	51	47	44	41	37	31
20	18	33	2.20	0.7547	0.3333	0.3833	0.2475	400	400	372	282	221	145	51	47	44	41	37	31

- Theoretical section properties have been calculated per AISI 2012 'North American Specification for the Design of Cold-Formed Steel Structural Members'. Ixx and Sxx are effective section properties for deflection and bending.
- Allowable loads are calculated in accordance with AISI 2012 specifications considering bending, shear, combined bending and shear, deflection and ASTM E 1592 uplift load testing on 16 ga purlins. Allowable loads consider the 3 or more equal spans condition. Panel weight is not considered.
- Deflection consideration is limited by a maximum deflection ratio of L/180 of span.
- Allowable loads do not include a 1/3 stress increase for wind.

ms metal sales
manufacturing corporation

metalsales.us.com

Anchorage, AK 866.640.7663
Bay City, MI 888.777.7640
Deer Lake, PA 800.544.2577
Denver, CO 800.289.7663

Detroit Lakes, MN 888.594.1394
Fontana, CA 800.782.7953
Fort Smith, AR 877.452.3915
Independence, MO 800.747.0012

Jacksonville, FL 800.394.4419
Jefferson, OH 800.321.5833
Mocksville, NC 800.228.6119
Nashville, TN 800.251.8508
Rock Island, IL 800.747.1206
Rogers, MN 800.328.9316

Seattle, WA 800.431.3470
Sellersburg, IN 800.999.7777
Sioux Falls, SD 888.902.8320
Spokane, WA 800.572.6565
Temple, TX 800.543.4415
Woodland, CA 800.759.6019