

**EVALUATION REPORT OF
METAL SALES MANUFACTURING CORPORATION
'29 GA. PRO-PANEL II PANEL'**

**FLORIDA BUILDING CODE 5TH EDITION (2014)
FLORIDA PRODUCT APPROVAL
FL 14645.13-R2
ROOFING
METAL ROOFING**

**Prepared For:
Metal Sales Manufacturing Corporation
545 South 3rd Street, Suite 200
Louisville, KY 40202
Telephone: (502) 855-4300
Fax: (502) 855-4290**

**Prepared By:
Bala Sockalingam, Ph.D., P.E.
Florida Professional Engineer #62240
1216 N Lansing Ave., Suite C
Tulsa, OK 74106
Telephone: (918) 492-5992
FAX: (866) 366-1543**

**This report consists of
Evaluation Report (3 Pages including cover)
Installation Details (1 Page)**

**Report No. C2010-13
Date: 3.27.15**



Manufacturer: Metal Sales Manufacturing Corporation

Product Name: Pro-Panel II

Panel Description: 36" wide coverage with (5) 5/8" high ribs

Materials: Min. 29 ga., 80 ksi steel or min. 26 ga., 50 ksi steel Galvanized coated steel (ASTM A653) or Galvalume coated steel (ASTM A792) or painted steel (ASTM A755).

Deck Description: Min. 15/32" thick plywood for new and existing constructions. Designed and installed as per FBC 2014.

Deck Attachment: 8d x 2.5" long ring shank nails or #8 x 2" long wood screws @ 6" o.c. (Minimum) in the plywood field and edges

Underlayment: Minimum underlayment as per FBC 2014 Section 1507.4.5.1

Slope: 1/2:12 or greater in accordance with FBC 2014 Section 1507.4.2

Design Uplift Pressure: 41.6 psf @ fastener spacing of 24" o.c. (Factor of Safety = 2) 71.5 psf @ fastener spacing of 12" o.c.

Panel Attachment:
Type: #9-16 or #10-14 hex head wood screws with sealed washer. Fastener shall be of sufficient length to penetrate through the deck a minimum of 3/8".
At panel ends @ 6"-3"-6" o.c. across panel width
At intermediate @ 9" o.c. across panel width

Sidelap Attachment: 1/4"-14 x 7/8" long SDS with washer @ 12" o.c. Recommended for (Optional) roof slope less than 3:12.

Test Standards: Roof assembly tested in accordance with TAS 125-03 'Standard Requirements for Metal Roofing Systems' and FM 4470 Section 5.5 'Resistance to Foot Traffic'.

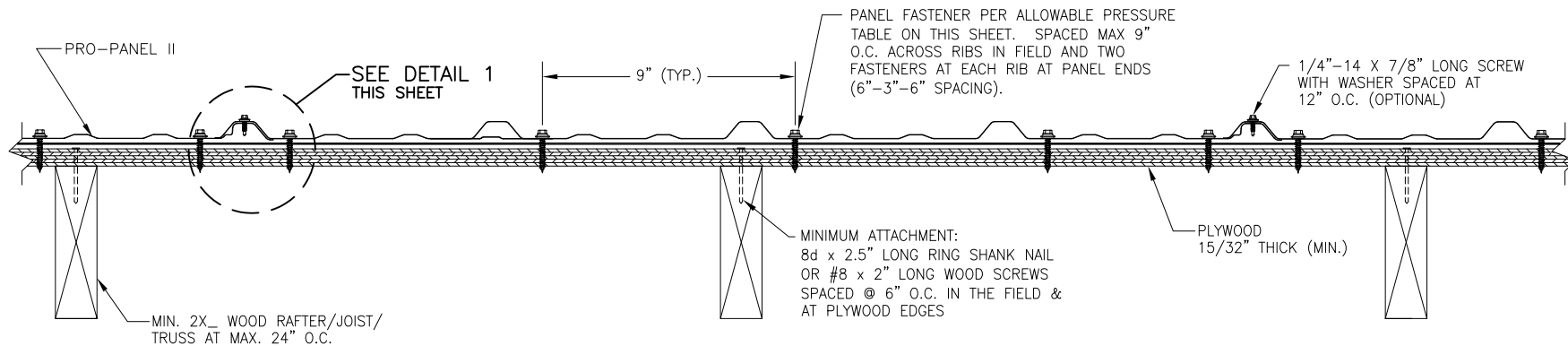
Code Compliance: The product described herein has demonstrated compliance with FBC 2014 Section 1507.4

Product Limitations: Design wind loads shall be determined for each project in accordance with FBC 2014 Section 1609 or ASCE 7-10 using allowable stress design. The maximum fastener spacing listed herein shall not be exceeded. This evaluation report is not applicable in High Velocity Hurricane Zone. Fire classification is not within scope of this Evaluation Report. Refer to FBC 2014 Section 1505 and current

approved roofing materials directory or ASTM E108/UL790 report from an accredited laboratory for fire ratings of this product.

Supporting Documents: TAS 125 Test Report
Farabaugh Engineering and Testing Inc
Project No. T257-06, Reporting Date 11/14/06

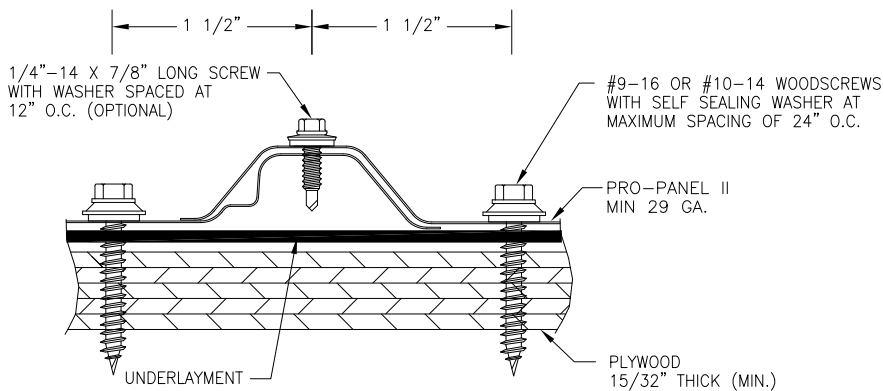
FM 4470 Test Report
ENCON Technology Inc
C1587-3, Reporting Date 5/17/08



TYPICAL PANEL INSTALLATION X-SECTION

ALLOWABLE UPLIFT PRESSURE

PANEL FASTENERS SPACING ALONG RIB	PRESSURE (PSF)
24"	41.6
12"	71.5



DETAIL 1

GENERAL NOTES:

1. ARCHITECTURAL ROOF PANEL HAS BEEN DESIGNED IN ACCORDANCE WITH THE FLORIDA BUILDING CODE (FBC).
2. ROOF PANELS SHALL BE MIN. 29 GA. (t = 0.0135"). EFFECTIVE COVERING WIDTH OF PANEL = 36".
3. THE ROOF PANELS SHALL BE INSTALLED OVER SHEATHING & STRUCTURE AS SPECIFIED ON THIS DRAWING.
4. REQUIRED DESIGN WIND LOADS SHALL BE DETERMINED FOR EACH PROJECT. THIS PANEL SYSTEM MAY NOT BE INSTALLED WHEN THE REQUIRED DESIGN WIND LOADS ARE GREATER THAN THE ALLOWABLE WIND LOADS SPECIFIED ON THIS DRAWING.
5. ALL FASTENERS MUST BE IN ACCORDANCE WITH THIS DRAWING & THE FLORIDA BUILDING CODE. IF A DIFFERENCE OCCURS BETWEEN THE MINIMUM REQUIREMENTS OF THIS DRAWING & THE CODE, THE CODE SHALL CONTROL.
6. RAFTERS/JOISTS/TRUSSES MUST BE DESIGNED TO WITHSTAND WIND LOADS AS REQUIRED FOR EACH APPLICATION AND ARE THE RESPONSIBILITY OF OTHERS.

DRAWN BY:	B.S.	CHECKED BY:	D.S.
PLOT:		DATE:	3/25/15
DATE			
BY			
REVISION DESCRIPTION			
NO.			

MANUFACTURER
METAL SALES MANUFACTURING CORP.
 545 SOUTH 3RD ST., SUITE 200
 LOUISVILLE, KY, 40202
 502-855-4300

DRAWING TITLE
PRO-PANEL II PANEL

CONSULTANTS
BALA SOCKALINGAM, PH.D., P.E.
 1216 N. LANSING AVE., SUITE C
 LANSING, MI 48106
 PHONE: 818-492-5992 FAX: 866-368-1543